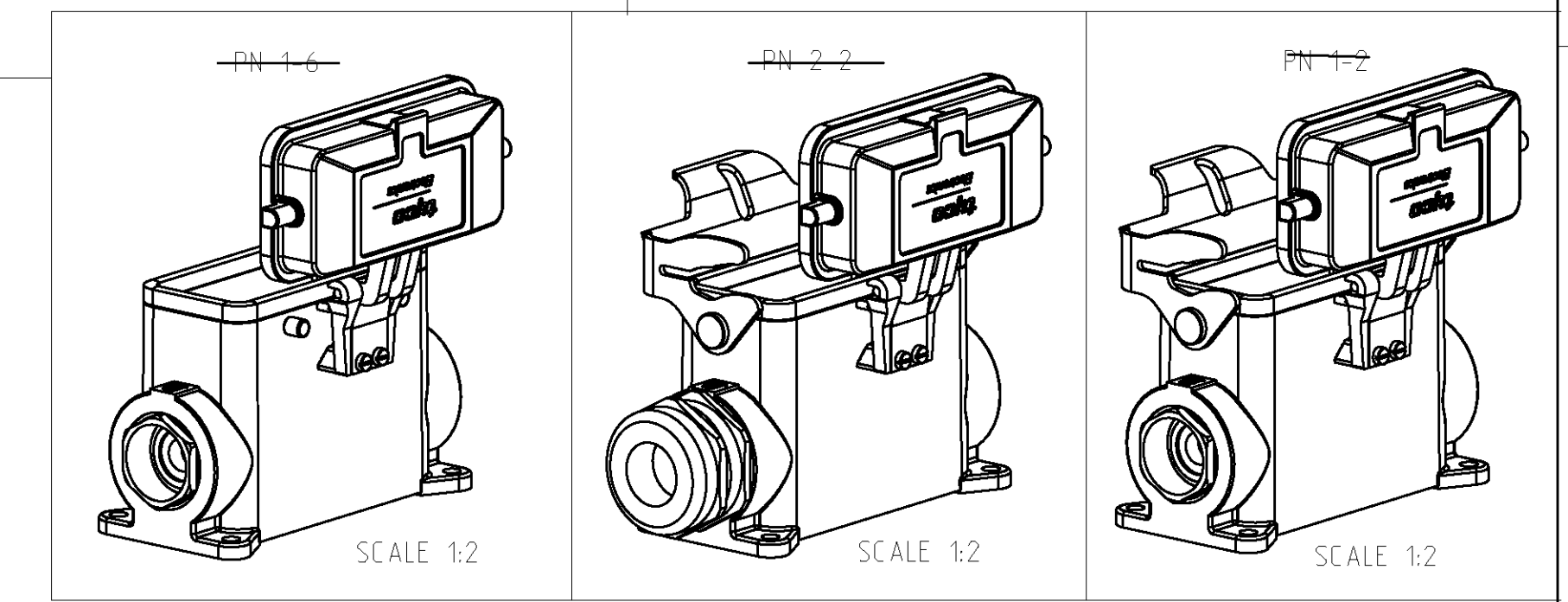
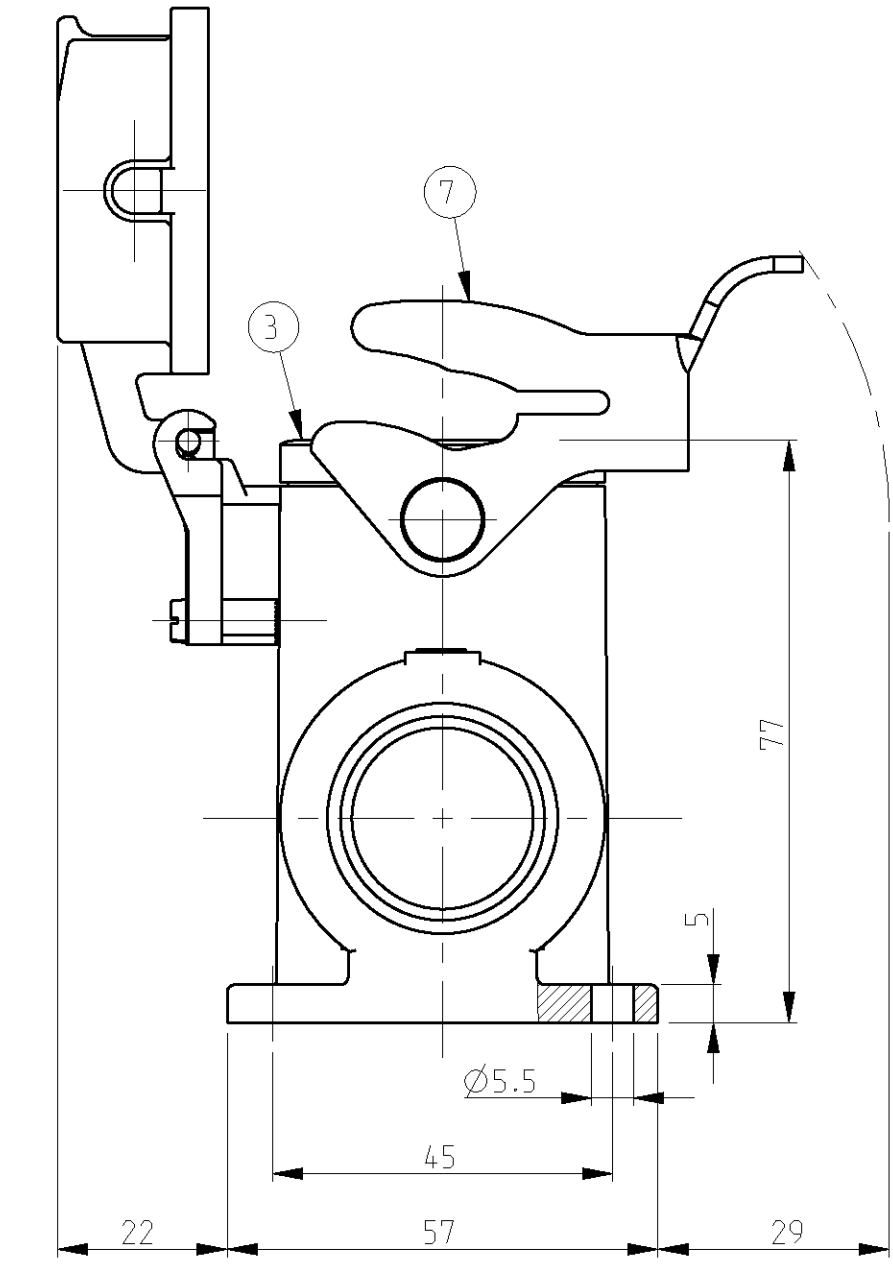
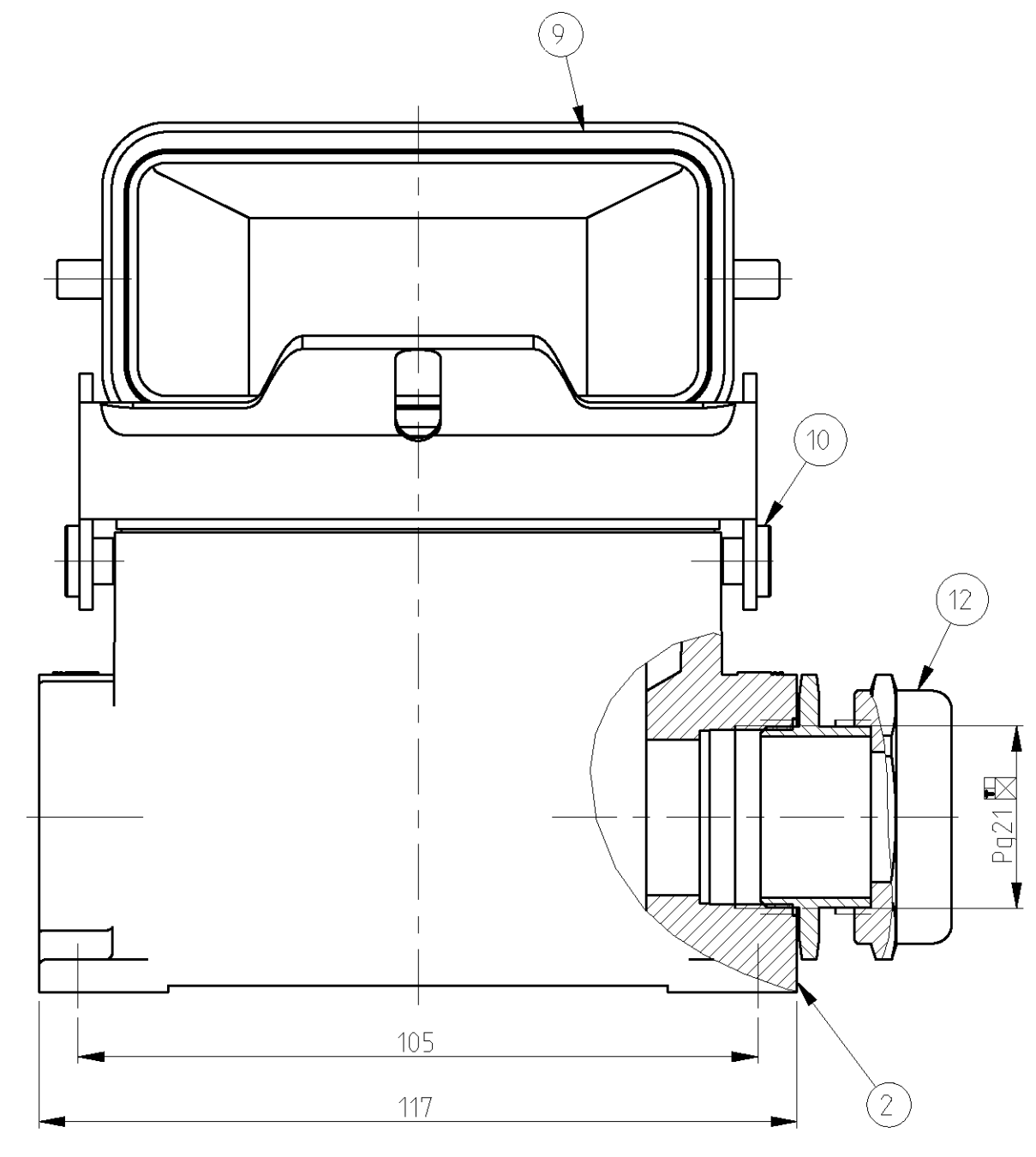
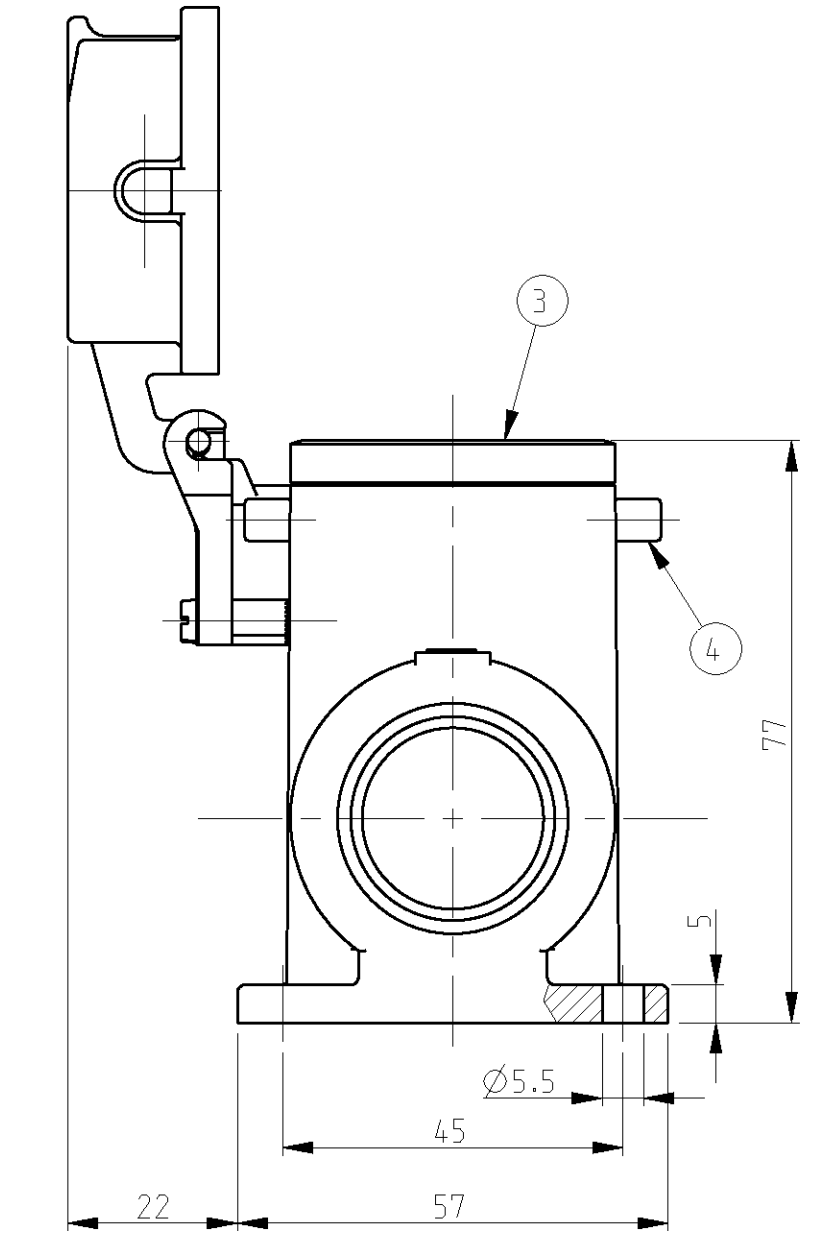
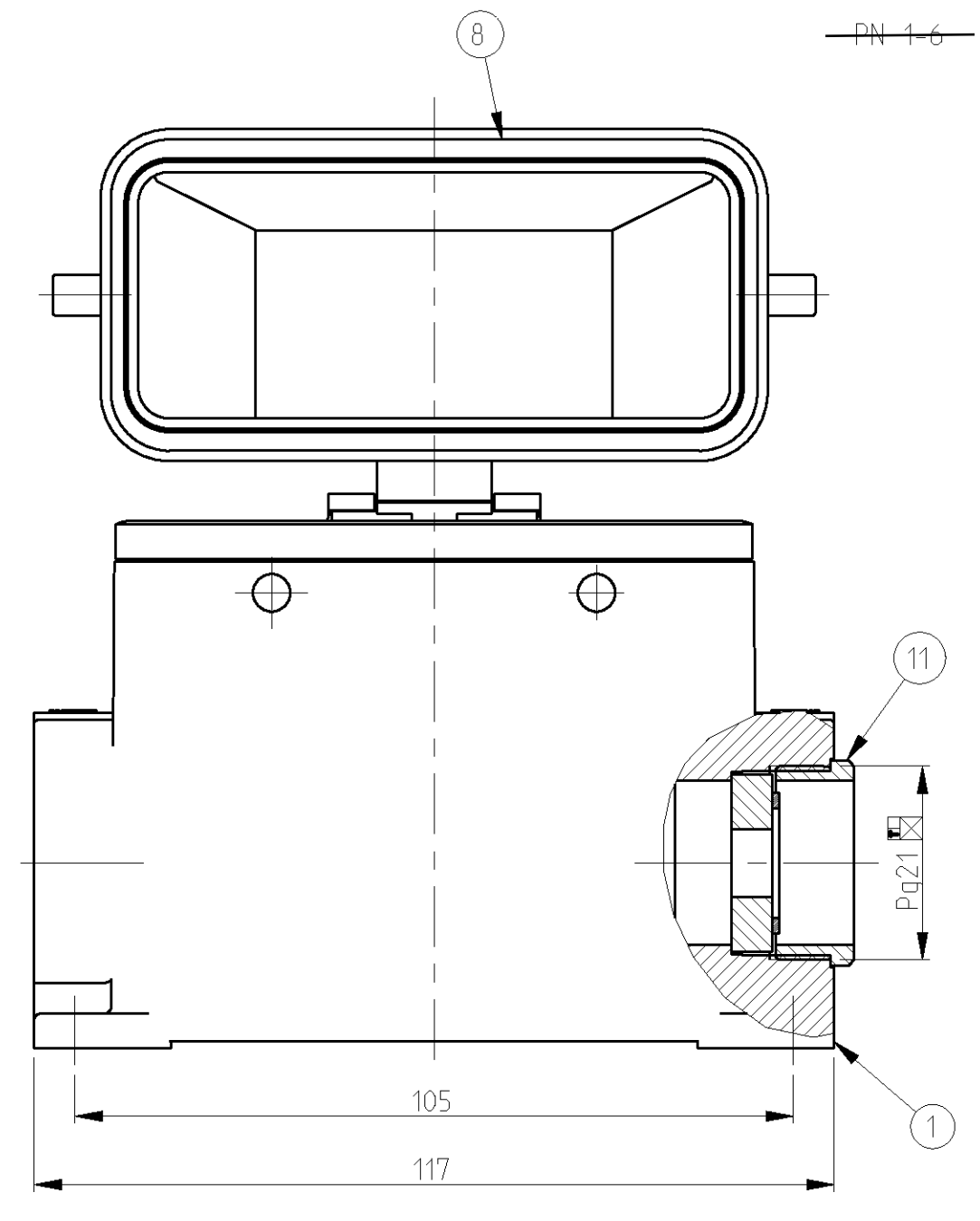
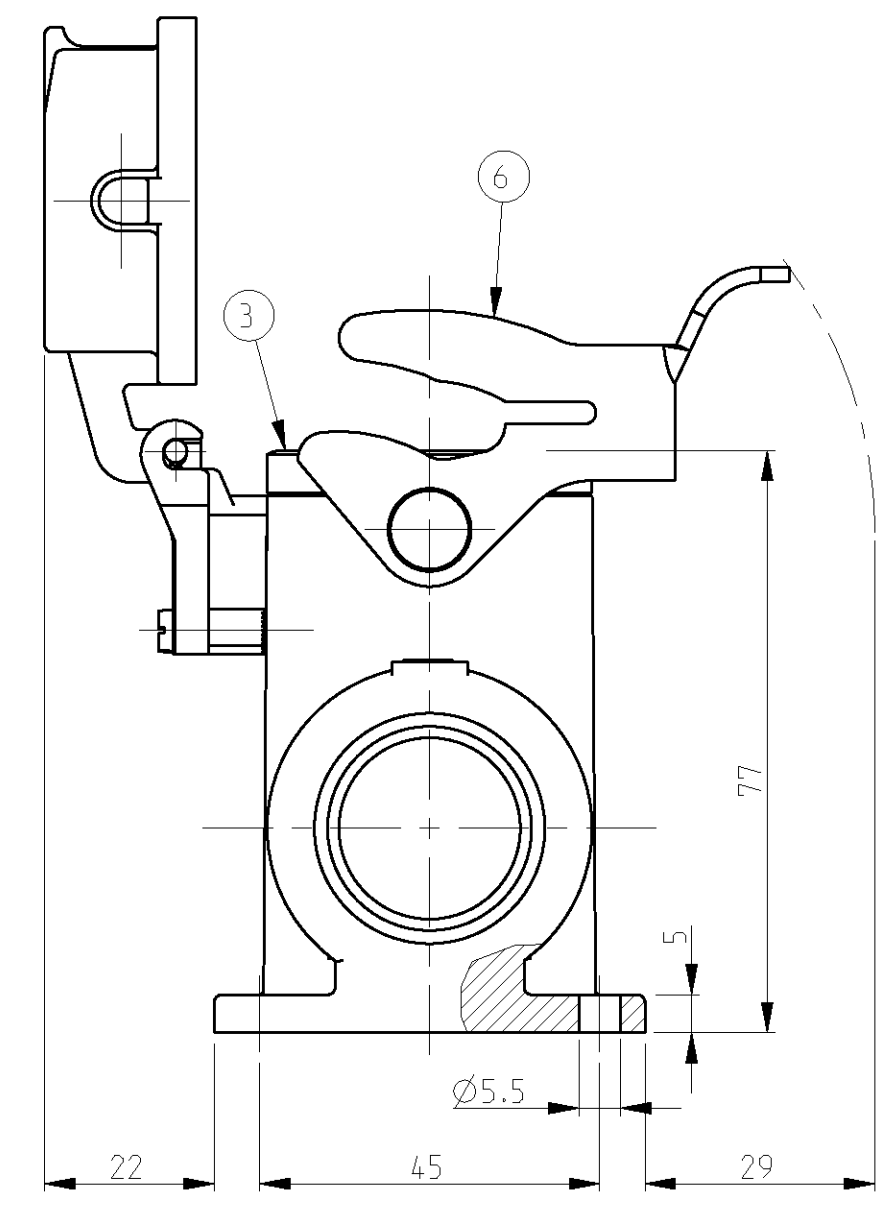
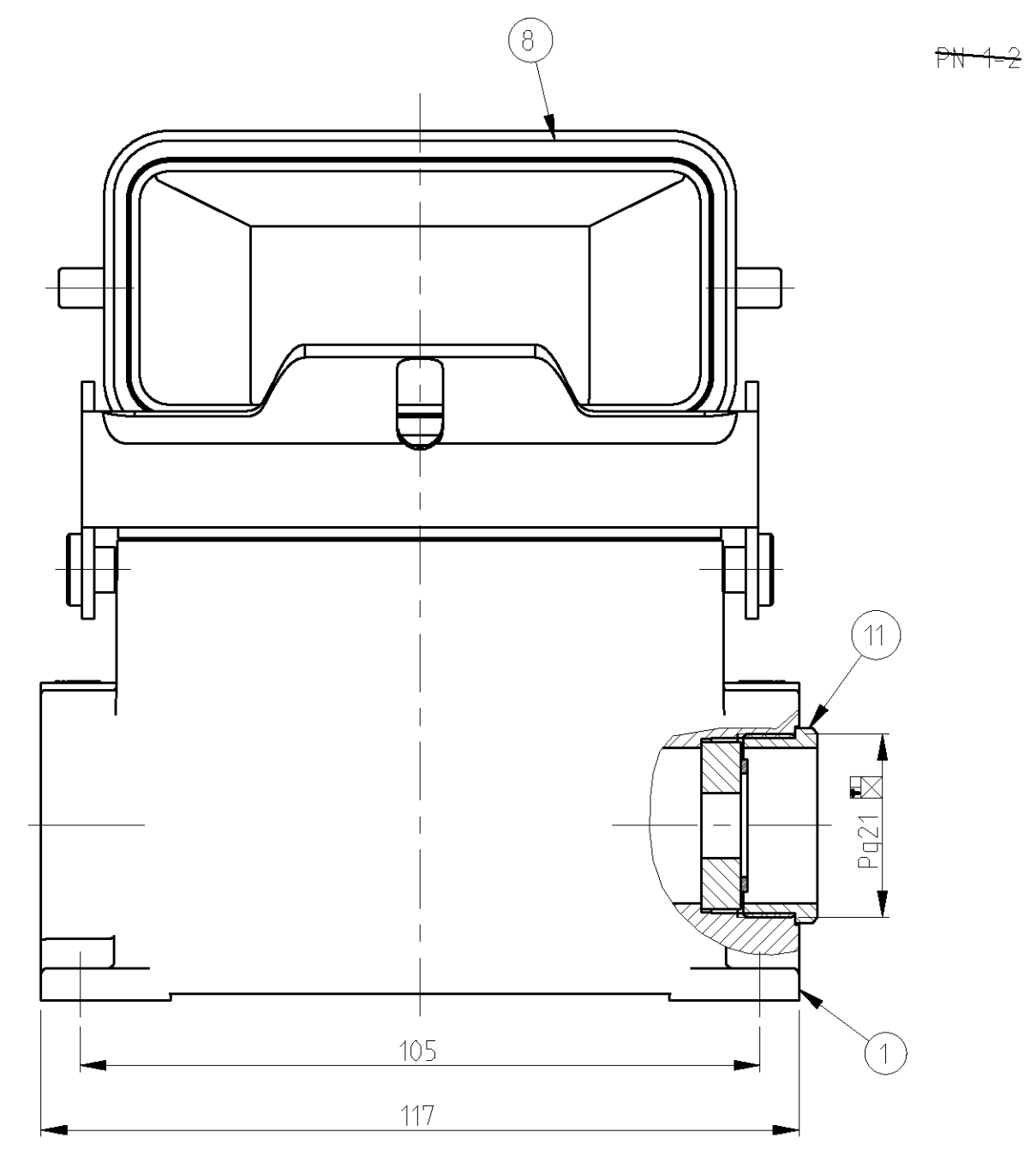


REVISONS		DATE	DWN	APV'D
A4	REVISED PER ECO-09-027197	20JAN10	KK	HMR
A5	ECR-17-001189	16AUG2017	RG	MKO

- NOTES.
- 1 Material:Housing:Aluminium Diecasting Alloy
Seals:Neoprene
 - 2 Surface:Varnish grey
-Aluminium Oxide +Varnish Black
 - 3 Varnish on the inside not necessary
 - 4 Packaging
Quantify 5 Pieces in a box
- ⚠** OBSOLETE PARTS. OBSOLETE CIS STREAMLINING PER D.RENAUD/D.SINISI



QTY	DESCRIPTION	MATERIAL	SURFACE	COLOR	ITEM NO	REMARKS
1	Gland fitting PG21	Brass	Nickel plated		12	
1	DS-Cable connection round PG21	Brass	Nickel plated		11	
2	LB-Clip bolt	Stainless steel	Blank		10	
1	Cover HB.16	Aluminium	Aluminium oxide	Black	9	
1	Cover HB.16	Aluminium	Blank	Grey	8	
1	LB-Side clip	Stainless steel	Blank		7	
1	LB-Side clip	Steel	Zinc plated		6	
4	VS-Clip bolt	Stainless steel	Blank		5	
4	VS-Clip bolt	Steel	Zinc plated		4	
1	Profile seal	Neoprene		Black	3	
1	Surface mounted housing HD.40.Pg.1.21	Aluminium	Aluminium oxide	Black	2	
1	Surface mounted housing HD.40.Pg.1.21	Aluminium		Grey	1	

ORDERING TEXT
 HD.40.SGD.1.21
 HD-K.40.SGD.LB.1.21
 HD-K.40.SGD.LB.1.21

TE Connectivity

Surface mounted housing side entry
 HD.40.SGD.1.21

DATE: 21.01.2000
 DWG: Schneider
 CHK: Schweiger
 APV'D: Schweiger

PRODUCT SPEC: -
 APPLICATION SPEC: -
 WEIGHT: -
 CUSTOMER DRAWING: -

SCALE: 1:1 SHEET 1 OF 1 REV A5