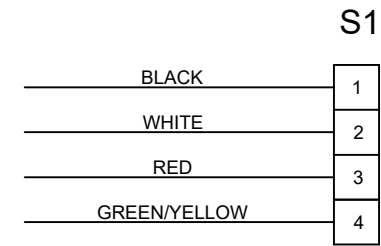
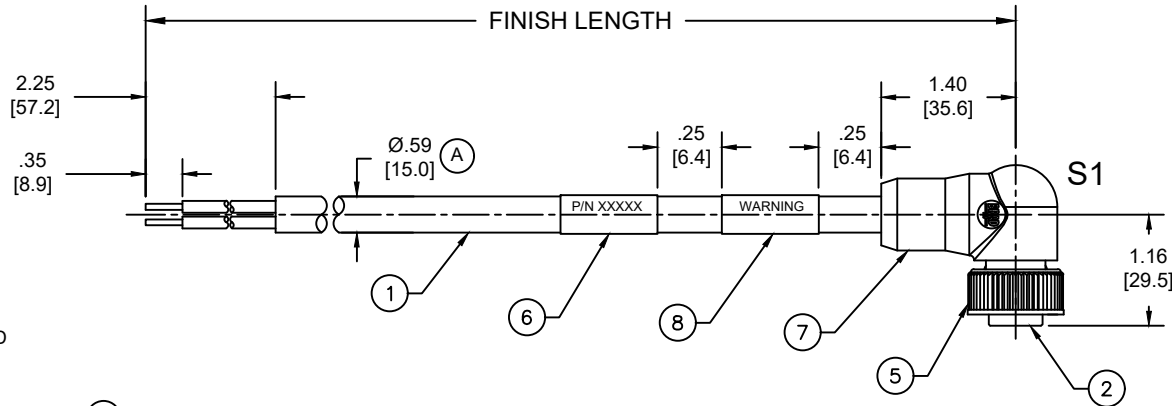
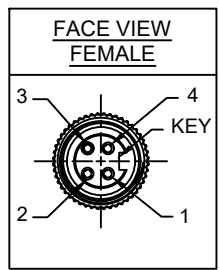


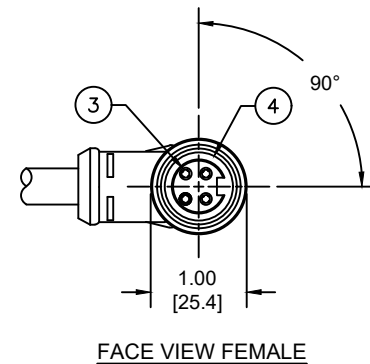
MATERIAL NUMBER	ENGINEERING NUMBER	FINISHED LENGTH
1300610110	104001A46F200	20FT [6.1M]
1300610125	104001A46M100	10M [32FT 10 IN]
1300610128	104001A46M270	27M [88FT 7 IN]

**(A) PART NUMBER LEGEND**  
104001A46F200

LENGTH:  
F100= 10 FEET  
F200= 20 FEET  
M005= 0.5 METER  
M010= 1 METER  
M100= 10 METER



- NOTES:**
- MATERIAL: AS NOTED
  - FINISH: AS NOTED
  - ELECTRICAL:  
VOLTAGE: 483V PER IEC60664 (A)  
600V PER UL2237  
CURRENT: 15A
  - TEMP RATING: -20°TO +105°C (A)
  - PROTECTION: IP67 (WHEN MATED)
  - COUPLING THREAD: 7/8"-16UN
  - UL LISTED FILE: E258922
  - ALL DIMENSIONS ARE FOR REFERENCE UNLESS TOLERANCED OR NOTED OTHERWISE



**(A) CABLE LENGTH TOLERANCES**

<.3M [1FT]:	+19mm-0 [+ .75in-0]
.3 - .9M [1 - 3FT]:	+44.5mm-0 [+1.75in-0]
.9 - 1.8M [3 - 6FT]:	+55.6mm-0 [+2.19in-0]
1.8 - 3.7M [6 - 12FT]:	+88.9mm-0 [+3.50in-0]
3.7 - 7.3M [12 - 24FT]:	+165.1mm-0 [+6.50in-0]
7.3-14.6M [24 - 48FT]:	+317.5mm-0 [+12.50in-0]
14.6 - 30.5M [48-100FT]:	+622.3mm-0 [+24.50in-0]
OVER 30M [100FT]	+2% OF FINISHED LENGTH

8	WARNING LABEL	VINYL	BLACK
7	OVERMOLD	TPE	GRAY
6	WRAP LABEL	VINYL	YELLOW
5	COUPLING NUT	ZINC ALLOY	BLACK E-COAT
4	FRICTION RING	NYLON	WHITE
3	SOCKET CONTACT	BRASS	GOLD OVER NICKEL
2	INSERT	TPE	BLACK
1	#14/4 CABLE	PVC JACKET	GRAY
ITEM	DESCRIPTION	MATERIAL	FINISH

FUNCTIONAL SYMBOLS									
$F_A=0$	$F_C=0$	$F_P=0$	THIS DRAWING CONTAINS INFORMATION THAT IS PROPRIETARY TO MOLEX ELECTRONIC TECHNOLOGIES, LLC AND SHOULD NOT BE USED WITHOUT WRITTEN PERMISSION						
DIMENSION UNITS		SCALE		CURRENT REV DESC: ITEM 2 & 7 WERE PVC. SOCKET & SLEEVE SHOWN AS ITEM-3. ADDED IEC VOLTAGE, PN LEGEND, CABLE DIA & TOL CHART. MODIFIED TEMP RATING AND PN TABLE. REMOVED CSA IN NOTES					
INCH/MM		NTS		<p><b>molex</b></p> <p>BRAD POWER CORDSET, A-SIZE 4-POLE, FEMALE 90DEG, SINGLE KEY, #14 AWG</p> <p>PRODUCT CUSTOMER DRAWING</p>					
GENERAL TOLERANCES (UNLESS SPECIFIED)									
	mm	INCH							
4 PLACES	±----	±----							
3 PLACES	±----	±----							
DIVISIONAL SYMBOLS				EC NO: 698916		DRWN: ABENJAMINLW		2021/06/14	
1 PLACE				±----		CHK'D: RSTONE		2022/03/09	
2 PLACES				±----		APPR: BWOODMAN		2022/03/11	
3 PLACES				±----		INITIAL REVISION:			
0 PLACES				±----		DRWN: VOU		2010/01/14	
ANGULAR TOL ± ---- °						APPR: JFMURPHY		2010/01/20	
DRAFT WHERE APPLICABLE MUST REMAIN WITHIN DIMENSIONS				THIRD ANGLE PROJECTION		DRAWING		SERIES	
						A-SIZE		130061	
DOCUMENT NUMBER		DOC TYPE		DOC PART		REVISION			
SD-130061-014		PSD		001		A			
MATERIAL NUMBER		CUSTOMER		SHEET NUMBER					
SEE CHART		GENERAL MARKET		1 OF 1					

DOCUMENT STATUS	P1	RELEASE DATE	2022/03/11	14:29:46
-----------------	----	--------------	------------	----------