

## 1A, 1.5MHz, 6V CMCOT Synchronous Step-Down Converter

### *Purpose*

The RT8096A is a high efficiency synchronous step-down DC/DC converter. Its input voltage range is from 2.5V to 6V and provides an adjustable regulated output voltage from 0.6V to 3.4V while delivering up to 1A of output current. This document explains the function and use of the RT8096A evaluation board (EVB), and provides information to enable operation, modification of the evaluation board and circuit to suit individual requirements.

## Table of Contents

Purpose .....	1
Introduction.....	2
Key Performance Summary Table .....	2
Bench Test Setup Conditions .....	3
Schematic, Bill of Materials & Board Layout .....	4
More Information.....	6
Important Notice for Richtek Evaluation Board .....	6

## Introduction

### General Product Information

The RT8096A is a high efficiency synchronous step-down DC/DC converter. Its input voltage range is from 2.5V to 6V and provides an adjustable regulated output voltage from 0.6V to 3.4V while delivering up to 1A of output current. The internal synchronous low on-resistance power switches increase efficiency and eliminate the need for an external Schottky diode. The Current Mode Constant-On-time (CMCOT) operation with internal compensation allows the transient response to be optimized over a wide range of loads and output capacitors. The RT8096A is available in the TSOT-23-6 package.

### Product Feature

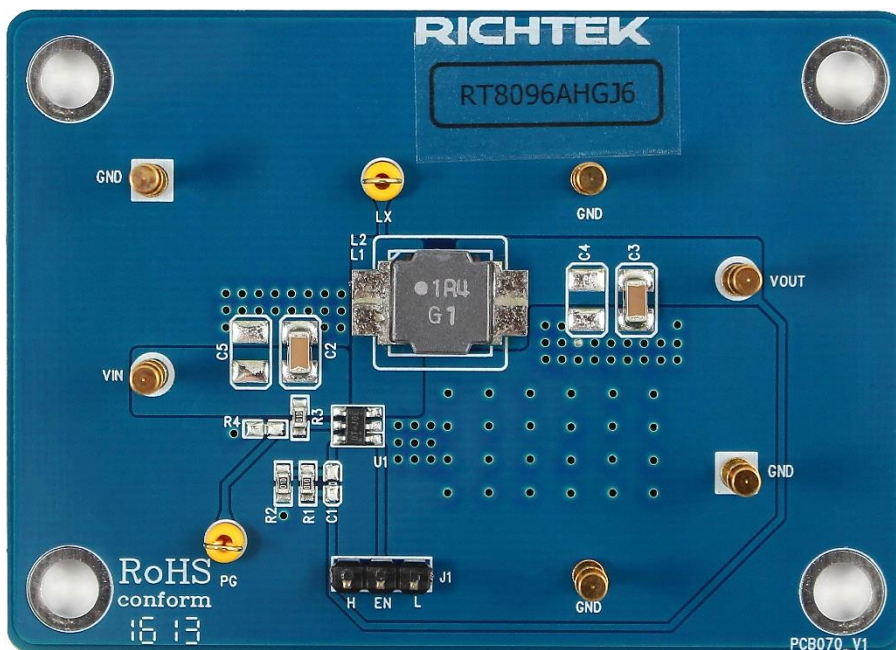
- Efficiency Up to 95%
- $R_{DS(on)}$  160m $\Omega$  HS/110m $\Omega$  LS
- $V_{IN}$  Range 2.5V to 6V
- $V_{REF}$  0.6V with  $\pm 2\%$  Accuracy
- CMCOT™ Control Loop Design for Best Transient Response, Robust Loop Stability with Low-ESR (MLCC)  $C_{OUT}$
- Fixed Soft-Start 1.2ms; PGOOD Function in TSOT-23-6
- Cycle-by-Cycle Over Current Protection
- Input Under Voltage Lockout
- Output Under Voltage Protection (UVP Hiccup)
- Thermal Shutdown Protection
- Power Saving at Light Load

### Key Performance Summary Table

Key Features	Evaluation Board Number : PCB070_V1
Default Input Voltage	3.3V
Max Output Current	1A
Default Output Voltage	1.2V
Default Marking & Package Type	RT8096AHGJ6, TSOT-23-6
Operation Frequency	Steady 1.5MHz at all loads

## Bench Test Setup Conditions

### Headers Description and Placement



Please carefully inspect the EVB IC and external components, comparing them to the following Bill of Materials, to ensure that all components are installed and undamaged. If any components are missing or damaged during transportation, please contact the distributor or send e-mail to [evb\\_service@richtek.com](mailto:evb_service@richtek.com).

### Test Points

The EVB is provided with the test points and pin names listed in the table below.

Test point/ Pin name	Signal	Comment (expected waveforms or voltage levels on test points)
<b>FB</b>	Feedback Voltage Input	Feedback Voltage Input. An external resistor divider from the output to GND, tapped to the FB pin, sets the output voltage.
<b>VIN</b>	Input voltage	Supply Voltage Input. The RT8096A operates from a 2.5V to 6V input.
<b>GND</b>	Ground	Power Ground.
<b>PG</b>	Power Good Indicator	Power Good Indicator. The output of this pin is an open-drain with external pull-up resistor to IN. PG is pulled up to IN when the FB voltage is within 90%, otherwise it is LOW.
<b>LX</b>	Switch node	Switch node.
<b>EN</b>	Enable Control Input	Enable Control Input.

### Power-up & Measurement Procedure

1. Apply a 3.3V nominal input power supply ( $2.5V < V_{IN} < 6V$ ) to the VIN and GND terminals.
2. Set the jumper at JP1 to connect terminals 2 and 3, connecting EN to VIN.
3. Verify the output voltage (approximately 1.2V) between VOUT and GND.
4. Connect an external load up to 1A to the VOUT and GND terminals and verify the output voltage and current.

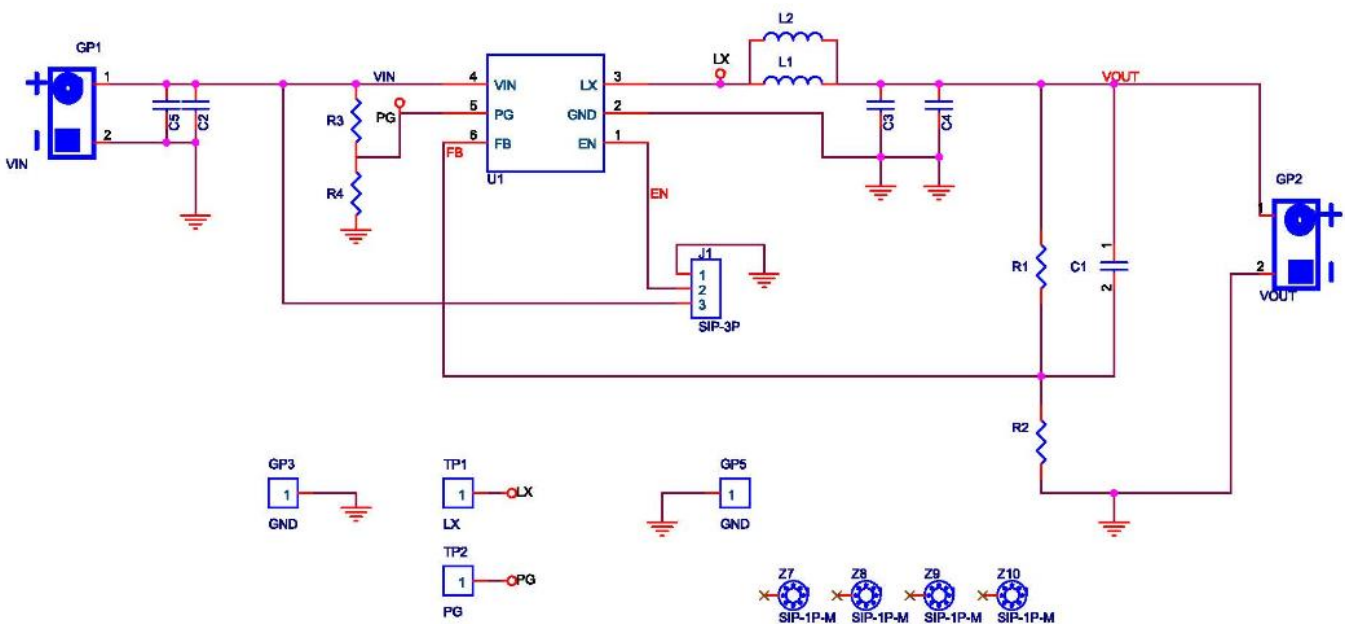
**Output Voltage Setting**

Set the output voltage with the resistive divider (R1, R2) between VOUT and GND with the midpoint connected to FB. The output is set by the following formula :

$$V_{OUT} = V_{REF} \times \left( 1 + \frac{R_1}{R_2} \right)$$

**Schematic, Bill of Materials & Board Layout**

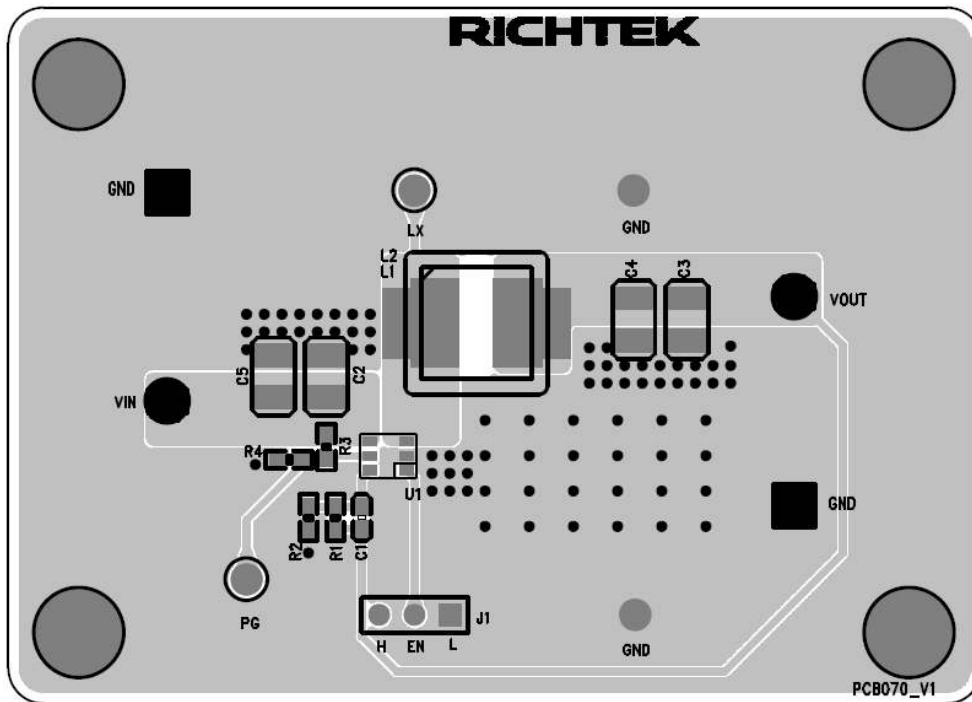
**EVB Schematic Diagram**



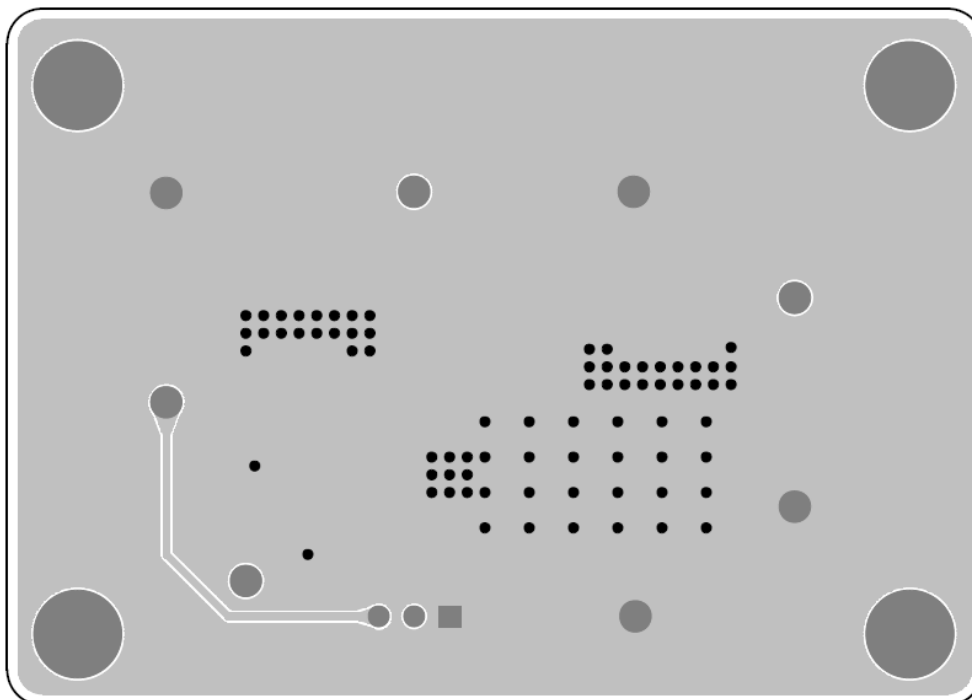
**Bill of Materials**

Reference	Qty	Part Number	Description	Package	Manufacturer
U1	1	RT8096AHGJ6	DC/DC Converter	TSOT-23-6	RICHTEK
C1	1		NC	C-0603	
C2, C3	2	C3216X5R1H106KT000N	10µF/50V/X5R/1206	C-1206	TDK
C4, C5	2		NA	C-1210	
L1	1	NR8040T1R4N	1.4µH	L-NR8040_2	TAIYO YUDEN
R1, R2, R3	3	0603 100K 1%	100k	R-0603	WALSIN
R4	1		NC	R-0603	

**PCB Layout**



Top View



Bottom View

### ***More Information***

For more information, please find the related datasheet or application notes from Richtek website <http://www.richtek.com>.

### ***Important Notice for Richtek Evaluation Board***

THIS DOCUMENT IS FOR REFERENCE ONLY, NOTHING CONTAINED IN THIS DOCUMENT SHALL BE CONSTRUED AS RICHTEK'S WARRANTY, EXPRESS OR IMPLIED, UNDER CONTRACT, TORT OR STATUTORY, WITH RESPECT TO THE PRESENTATION HEREIN. IN NO EVENT SHALL RICHTEK BE LIABLE TO BUYER OR USER FOR ANY AND ALL DAMAGES INCLUDING WITHOUT LIMITATION TO DIRECT, INDIRECT, SPECIAL, PUNITIVE OR CONSEQUENTIAL DAMAGES.