

- 1
- 2
- 3
- 4
- 5
- 6
- 7
- 8
- 9
- 10
- 11
- 12
- 13
- 14
- 15
- 16
- 17
- 18

**MATERIAL**

Glass-fibre reinforced polyamide based (PA) technopolymer, black colour, glossy finish.

**BOSS CAP**

Acetal resin based (POM) technopolymer, light-grey colour, push-fit assembly, removable by pressing on the outer edge (ELESA original design).

**STANDARD EXECUTIONS**

Black-oxide steel boss, H7 reamed hole.

Assembly by means of a keyway or a transversal pin in the semi-machined hole f or a set screw (redrill and tap hole f).

- **IZN.380**: plain knob.
- **IZN.380+K**: knob with matte anodised aluminium flange, triangular black index.
- **IZN.380+FGS**: knob with matte anodised aluminium flange, black graduation (marks and numbers).
  - FGS 10/40 = 40 marks, numbering from 0 to 9 increases as the knob is turned clockwise.
  - FGS 10/100 = 100 marks, numbering from 0 to 9 increases as the knob is turned clockwise.

For other numbering (see Graduations on page 703).

**ACCESSORIES ON REQUEST**

Ball and spring for clicking operation to be fitted in the assembly hole for knobs with diameter D ≥ 48 mm, available only for IZN.380, (see ball and spring MS. on page 713).

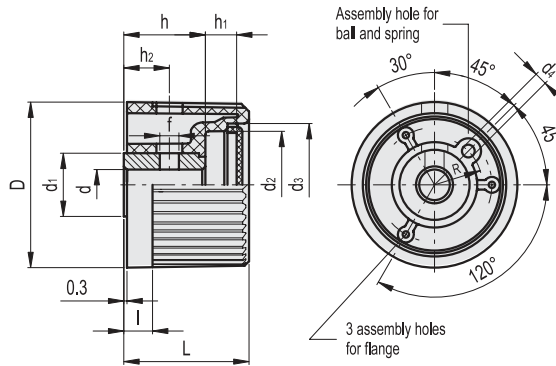
**SPECIAL EXECUTIONS ON REQUEST**

On the surface of the boss cap words, marks, graphic symbols, etc. can be tampoprinted in colours.



ELESA Original design **if79**

**IZN.380**



Conversion Table	
1 mm = 0.039 inch	
D	
mm	inch
32	1.26
37	1.46
42	1.65
48	1.89
52	2.05
58	2.28
63	2.48
80	3.15

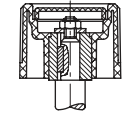
**IZN.380**

**METRIC**

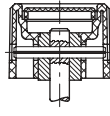
Code	Description	D	dH7	L	l	d1	d2	d3	d4	h	h1	h2	f	R	△
29001	IZN.380/32 A-6	32	6	26	5	15	19	21	-	16	8	9	3	-	28
30001	IZN.380/36 A-6	37	6	29	6	15	25	27	-	16	10	10	3	-	34
30101	IZN.380/40 A-8	42	8	32	7	18	29	31	-	17	11	11	4	-	48
30201	IZN.380/45 A-8	48	8	35	8	22	32	34	3.2	22	10	14	4	14	86
30301	IZN.380/50 A-10	52	10	39	9	22	37	39	4.2	22	13	14	4	15	90
30331	IZN.380/50 A-12	52	12	39	9	22	37	39	4.2	22	13	14	4	15	85
30401	IZN.380/56 A-12	58	12	41	10	26	42	44	5.2	27	11	16	5	17	130
30451	IZN.380/63 A-10	63	10	44	11	26	48	50	6.2	30	10	16	5	19	155
30466	IZN.380/63 A-12	63	12	44	11	26	48	50	6.2	30	10	16	5	19	150
30501	IZN.380/63 A-14	63	14	44	11	26	48	50	6.2	30	10	16	5	19	145
30601	IZN.380/80 A-16	80	16	48	12	26	59	62	6.2	30	13	17	5	24	175

Control elements

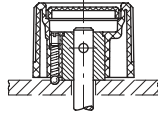
Assembly examples



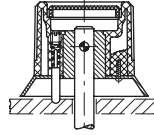
Assembly by means of a keyway



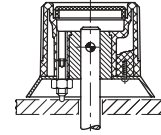
Assembly by means of a transversal pin



Assembly by means of a transversal pin and ball with adjustable pressure spring

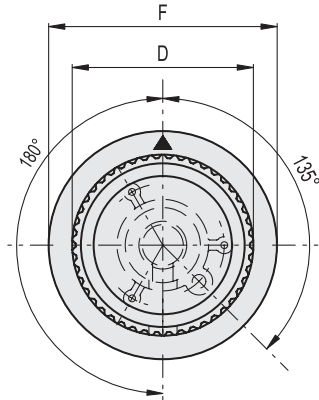


Assembly by means of a transversal pin and adjustable pressure spring plunger

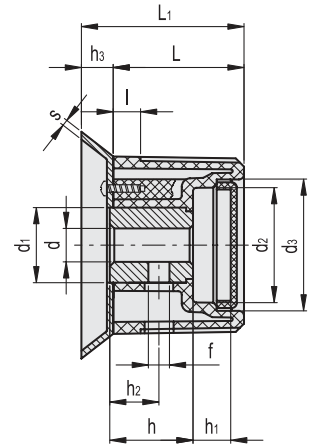
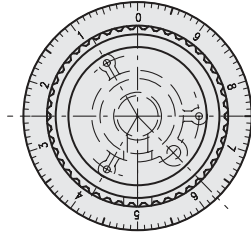


Assembly by means of a transversal pin and plunger with locknut

IZN.380+K



IZN.380+FGS



Conversion Table	
1 mm = 0.039 inch	
D	
mm	inch
32	1.26
37	1.46
42	1.65
48	1.89
52	2.05
58	2.28
63	2.48
80	3.15

IZN.380+K

METRIC

Code	Description	D	dH7	L	L1	F	l	d1	d2	d3	h	h1	h2	h3	f	s	⚖
29021	IZN.380/32 A-6+K	32	6	26	32	38	5	15	19	21	16	8	9	6	3	0.8	32
30021	IZN.380/36 A-6+K	37	6	29	36	45	6	15	25	27	16	10	10	7	3	1	40
30121	IZN.380/40 A-8+K	42	8	32	39	50	7	18	29	31	17	11	11	7	4	1	54
30221	IZN.380/45 A-8+K	48	8	35	43	55	8	22	32	34	22	10	14	8	4	1	93
30321	IZN.380/50 A-10+K	52	10	39	48	63	9	22	37	39	22	13	14	9	4	1	100
30421	IZN.380/56 A-12+K	58	12	41	52	70	10	26	42	44	27	11	16	9	5	1	140
30461	IZN.380/63 A-10+K	63	10	44	57	78	11	26	48	50	30	10	16	13	5	1	172
30476	IZN.380/63 A-12+K	63	12	44	57	78	11	26	48	50	30	10	16	13	5	1	167
30521	IZN.380/63 A-14+K	63	14	44	57	78	11	26	48	50	30	10	16	13	5	1	162

IZN.380+FGS

Code	Description	D	dH7	L	L1	F	l	d1	d2	d3	h	h1	h2	h3	f	s	⚖
29016	IZN.380/32 A-6+FGS-10/40	32	6	26	32	38	5	15	19	21	16	8	9	6	3	0.8	32
30016	IZN.380/36 A-6+FGS-10/40	37	6	29	36	45	6	15	25	27	16	10	10	7	3	1	40
30116	IZN.380/40 A-8+FGS-10/40	42	8	32	39	50	7	18	29	31	17	11	11	7	4	1	54
30216	IZN.380/45 A-8+FGS-10/100	48	8	35	43	55	8	22	32	34	22	10	14	8	4	1	93
30316	IZN.380/50 A-10+FGS-10/100	52	10	39	48	63	9	22	37	39	22	13	14	9	4	1	100
30416	IZN.380/56 A-12+FGS-10/100	58	12	41	52	70	10	26	42	44	27	11	16	11	5	1	140
30458	IZN.380/63 A-10+FGS-10/100	63	10	44	57	78	11	26	48	50	30	10	16	13	5	1	172
30473	IZN.380/63 A-12+FGS-10/100	63	12	44	57	78	11	26	48	50	30	10	16	13	5	1	167
30516	IZN.380/63 A-14+FGS-10/100	63	14	44	57	78	11	26	48	50	30	10	16	13	5	1	162



Control elements