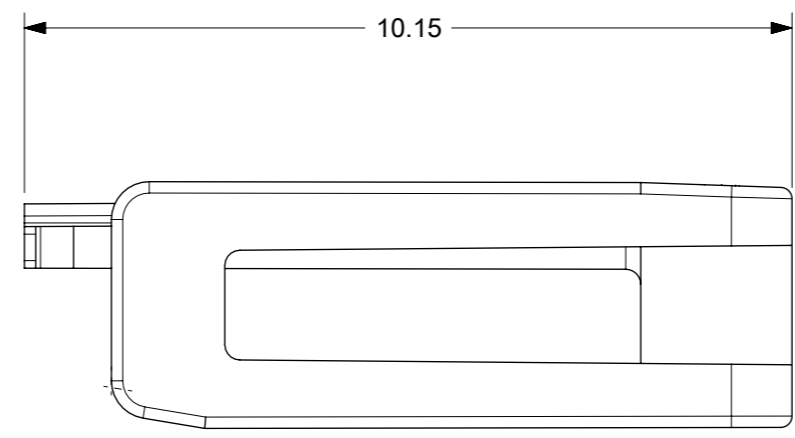
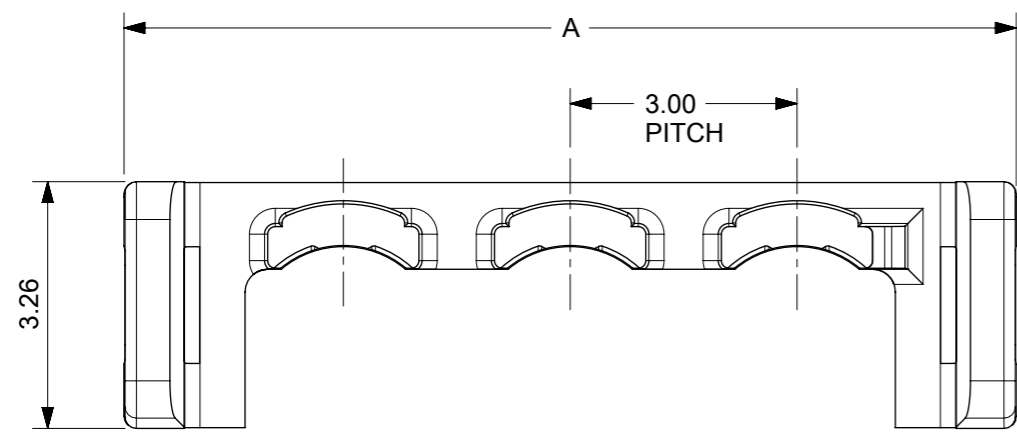
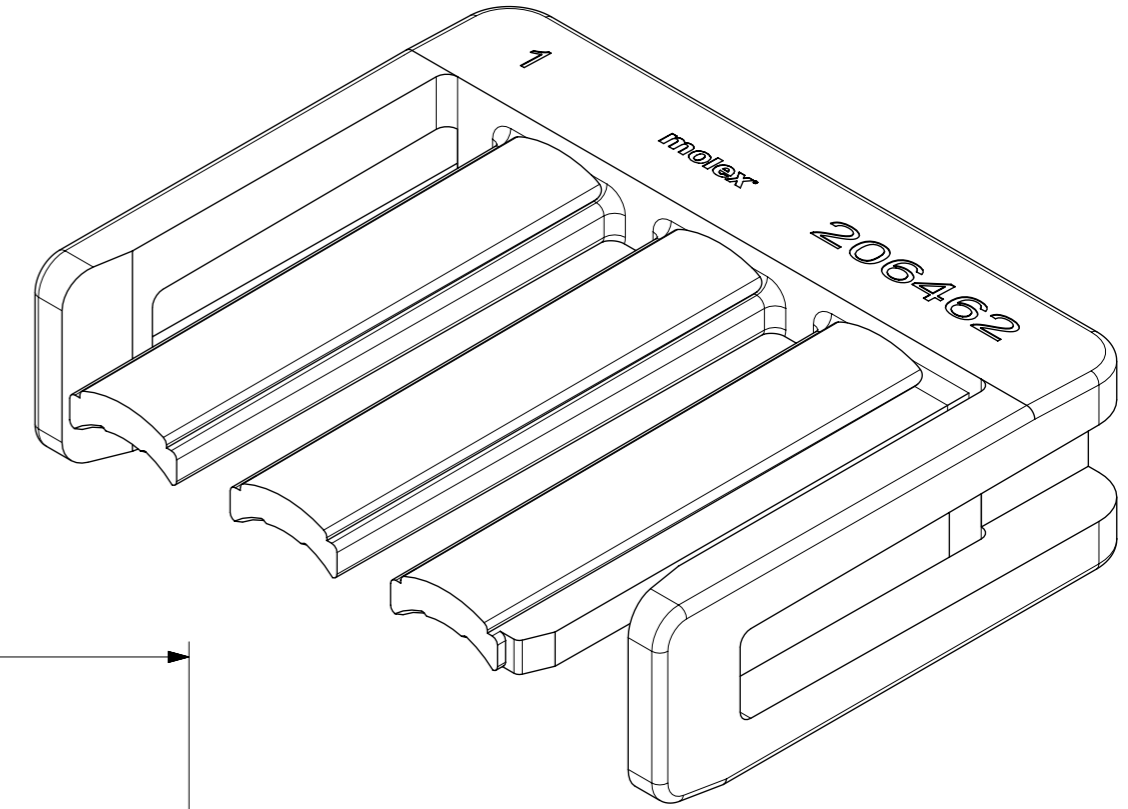


10 9 8 7 6 5 4 3 2 1

F
E
D
C
B
A



PART NO.		CKT	A	NOTE
MATERIAL "0"	MATERIAL "1"			
2064620100	2064620110	1	5.80	*DESIGNATES PART NOT RELEASED
2064620200	2064620210	2	8.80	
2064620300	2064620310	3	11.80	
2064620400	2064620410	4	14.80	
2064620500	2064620510*	5	17.80	
2064620600	2064620610*	6	20.80	
2064620700	2064620710*	7	23.80	
2064620800	2064620810*	8	26.80	
2064620900	2064620910*	9	29.80	
2064621000	2064621010*	10	32.80	
2064621100	2064621110*	11	35.80	
2064621200	2064621210*	12	38.80	

NOTES:

- MATERIAL:**
 "0": NYLON, UL 94V-0, GLOW-WIRE CAPABLE, COLOR: NATURAL
 "1": NYLON, UL 94V-0, LOW HALOGEN, COLOR: NATURAL
- THESE PARTS ARE USED WITH 206461 HOUSING SERIES
- SHALL CONFIRM TO PRODUCT SPECIFICATION : 2064600000-PS
- COMPLY WITH PACKAGING SPECIFICATION : 2064620000-PK
- COSMETIC SPECIFICATION: PS-45499-002 CLASS B.

THIS DRAWING CONTAINS INFORMATION THAT IS PROPRIETARY TO MOLEX ELECTRONIC TECHNOLOGIES, LLC AND SHOULD NOT BE USED WITHOUT WRITTEN PERMISSION									
DIMENSION UNITS		SCALE		CURRENT REV DESC:					
mm		NTS							
GENERAL TOLERANCES (UNLESS SPECIFIED)				EC NO: 722782				TPA MICRO-FIT + SOLUTION PRODUCT CUSTOMER DRAWING	
ANGULAR TOL ± 0.5 °				DRWN: ZIXUAQ 2022/07/08					
4 PLACES ±				CHK'D: XQZHANG 2022/09/28				DOCUMENT NUMBER 2064620000-SD	
3 PLACES ±				APPR: XQZHANG 2022/09/28					
2 PLACES ± 0.25				INITIAL REVISION:				DOC TYPE PSD	
1 PLACE ± 0.35				DRWN: SMAHAJANSHET 2018/05/08					
0 PLACES ±				APPR: NCSR 2019/04/02				DOC PART 000	
DRAFT WHERE APPLICABLE MUST REMAIN WITHIN DIMENSIONS		THIRD ANGLE PROJECTION		DRAWING		SERIES			
				A3-SIZE		206462		SHEET NUMBER 1 OF 1	
						MATERIAL NUMBER			
						SEE TABLE			

9 8 7 6 5 4 3 2 1