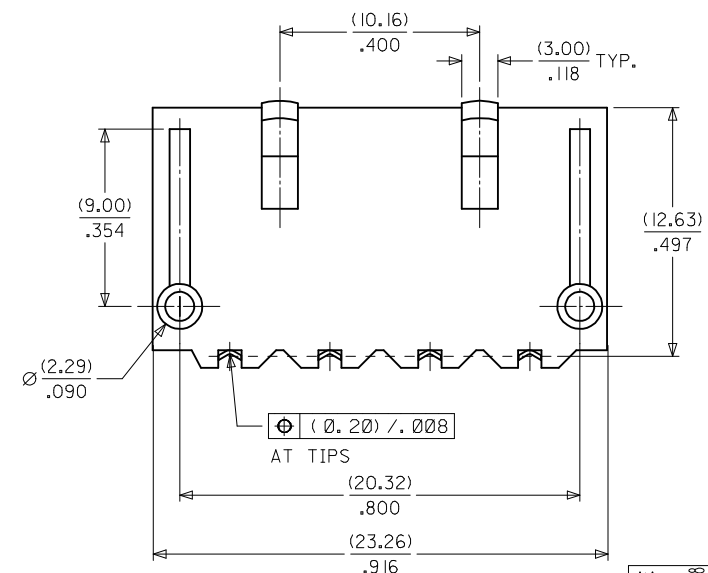
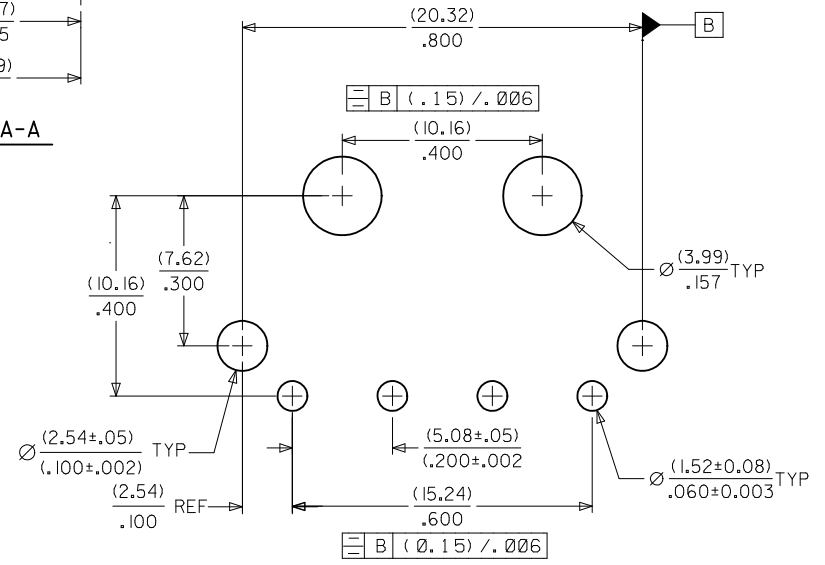


SECT A-A



- NOTES:
- 1) MATERIAL
HOUSING - NYLON 6/6, UNFILLED, UL94V-2, COLOR: NATURAL(OFF-WHITE)
TERMINAL - PHOSPHOR BRONZE
PLATING - POSTPLATE(0.00254)/.000100 MIN.
TIN OVER (0.00127)/.000050 MIN.
NICKEL OVERALL.
 - 2) PART INTENDED TO MATE WITH HOUSING 8981-4P AND TERMINAL 8980-3*
 - 3) PRODUCT SPEC PS-8981-4V* APPLIES.



RECOMMENDED P.C. BOARD LAYOUT (TOL. +/- (.13)/.005)

MAT'L NO.	ENG. NO.	'L'
A-8981-4R-1-LF	15-24-4441	(3.56)/.140

REMOVE MOIST BAG NOTE EC NO: S2012-0878 DRWN:SKANG CHKD:ATSEE APPR:MLONG	2012/10/08	2012/10/18	2012/11/02
	DESCRIPTION		
	QUALITY SYMBOLS		
	DESCRIPTION		

GENERAL TOLERANCES (UNLESS SPECIFIED)	mm	INCH
	4 PLACES ± ---	± ---
QUALITY SYMBOLS	3 PLACES ± ---	± .008
	2 PLACES ± 0.20	± ---
QUALITY SYMBOLS	1 PLACE ± ---	± ---
	ANGULAR ± 3 °	
DRAFT WHERE APPLICABLE MUST REMAIN WITHIN DIMENSIONS		

DIMENSION STYLE		SCALE	DESIGN UNITS	THIRD ANGLE PROJECTION
MM/IN		NTS	INCH	
DRAWN BY	DATE	TITLE		
GRXIE	2001/05/02	HEADER, 4 CKTS RIGHT ANGLE MOUNT		
CHECKED BY	DATE	MOLEX INCORPORATED		
KCL ING	2001/05/02	DOCUMENT NO.		
APPROVED BY	DATE	SD-8981-4R1		
SKTOH	2001/05/03	SHEET NO.		
MATERIAL NO.		1 OF 1		
SEE TABLE		THIS DRAWING CONTAINS INFORMATION THAT IS PROPRIETARY TO MOLEX INCORPORATED AND SHOULD NOT BE USED WITHOUT WRITTEN PERMISSION		