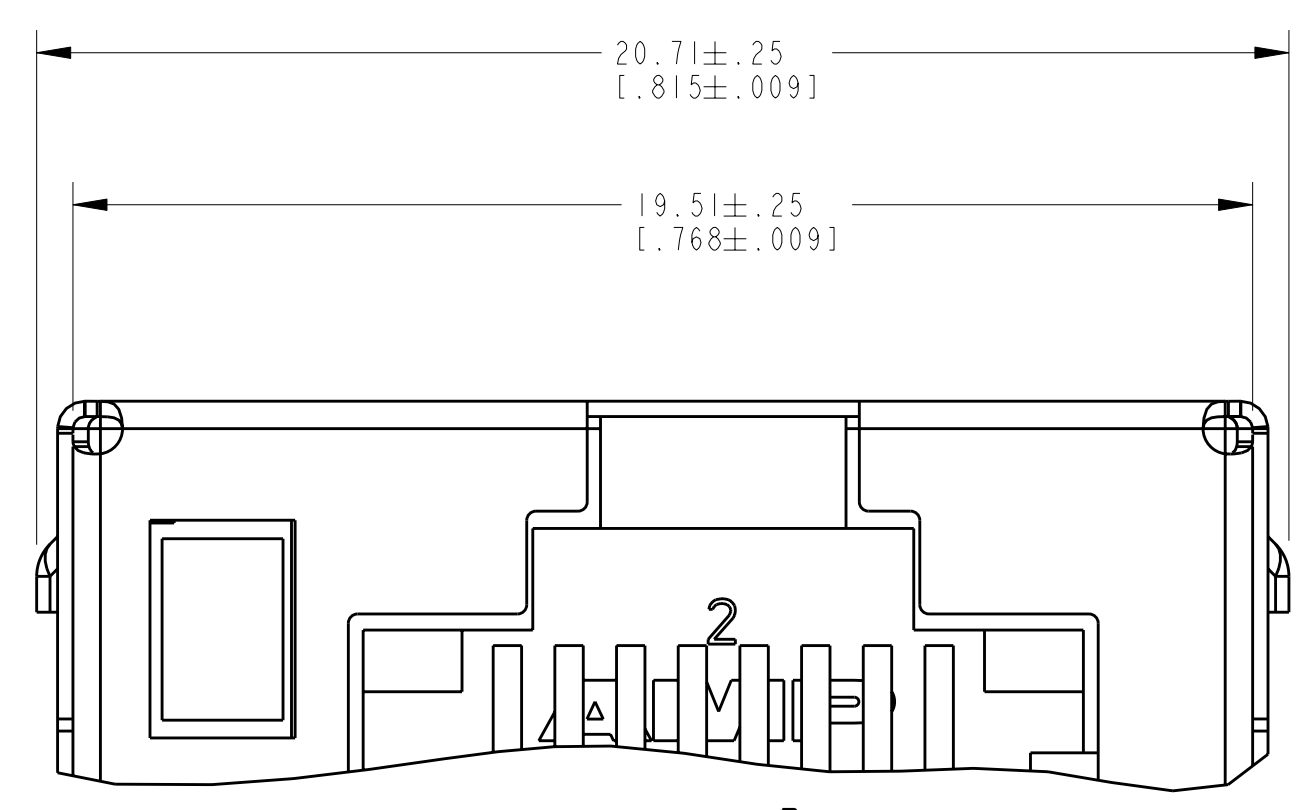
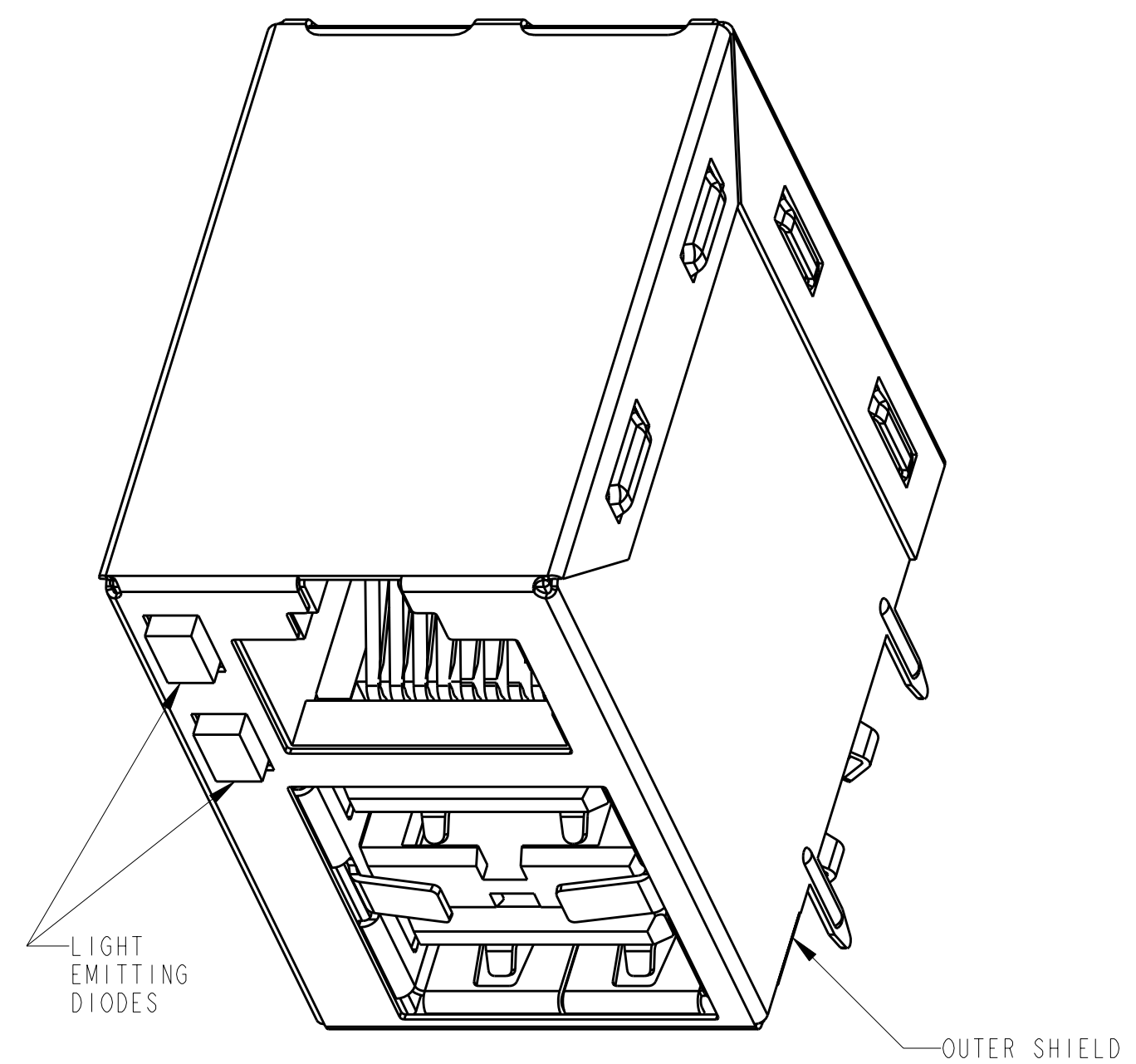
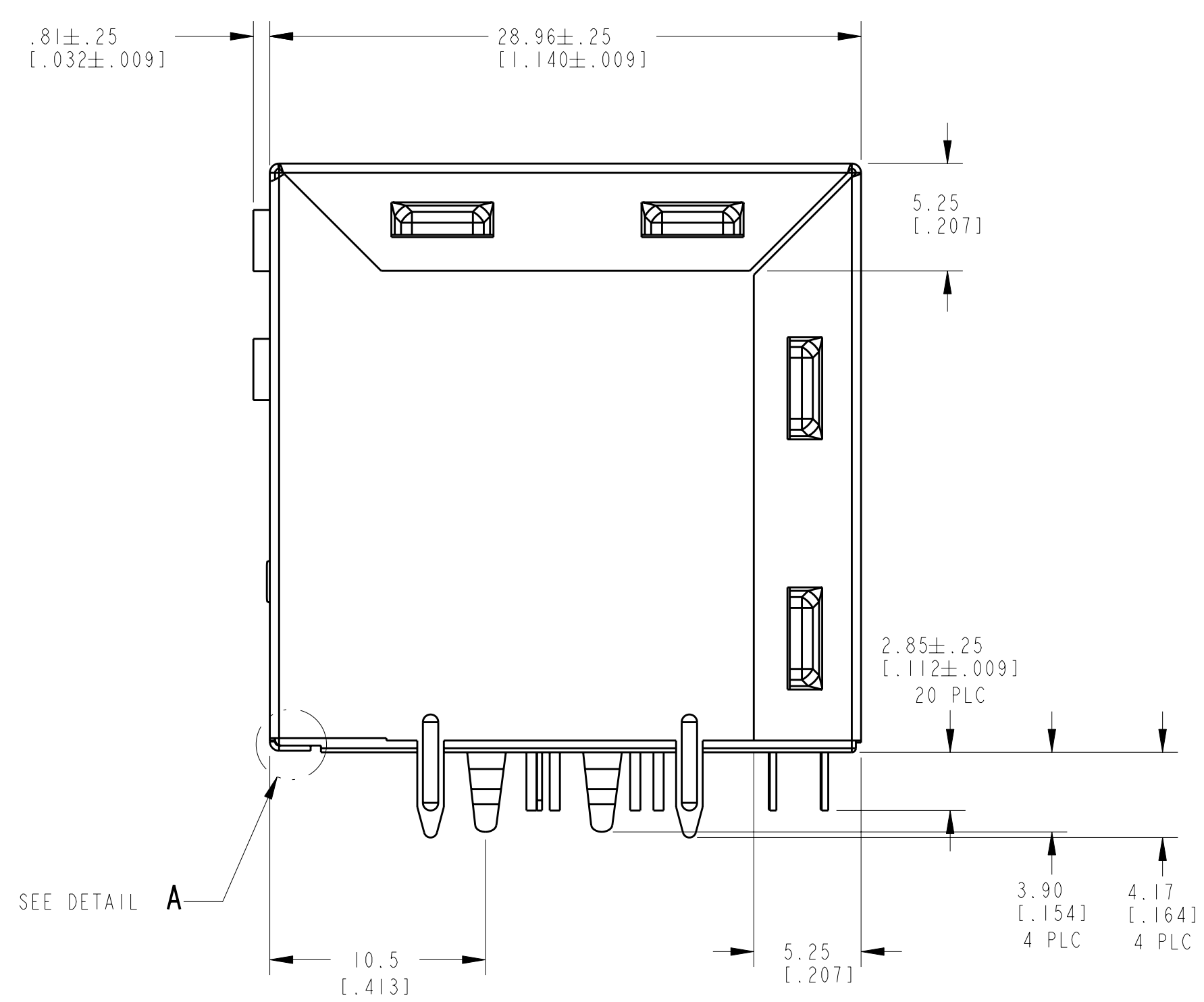
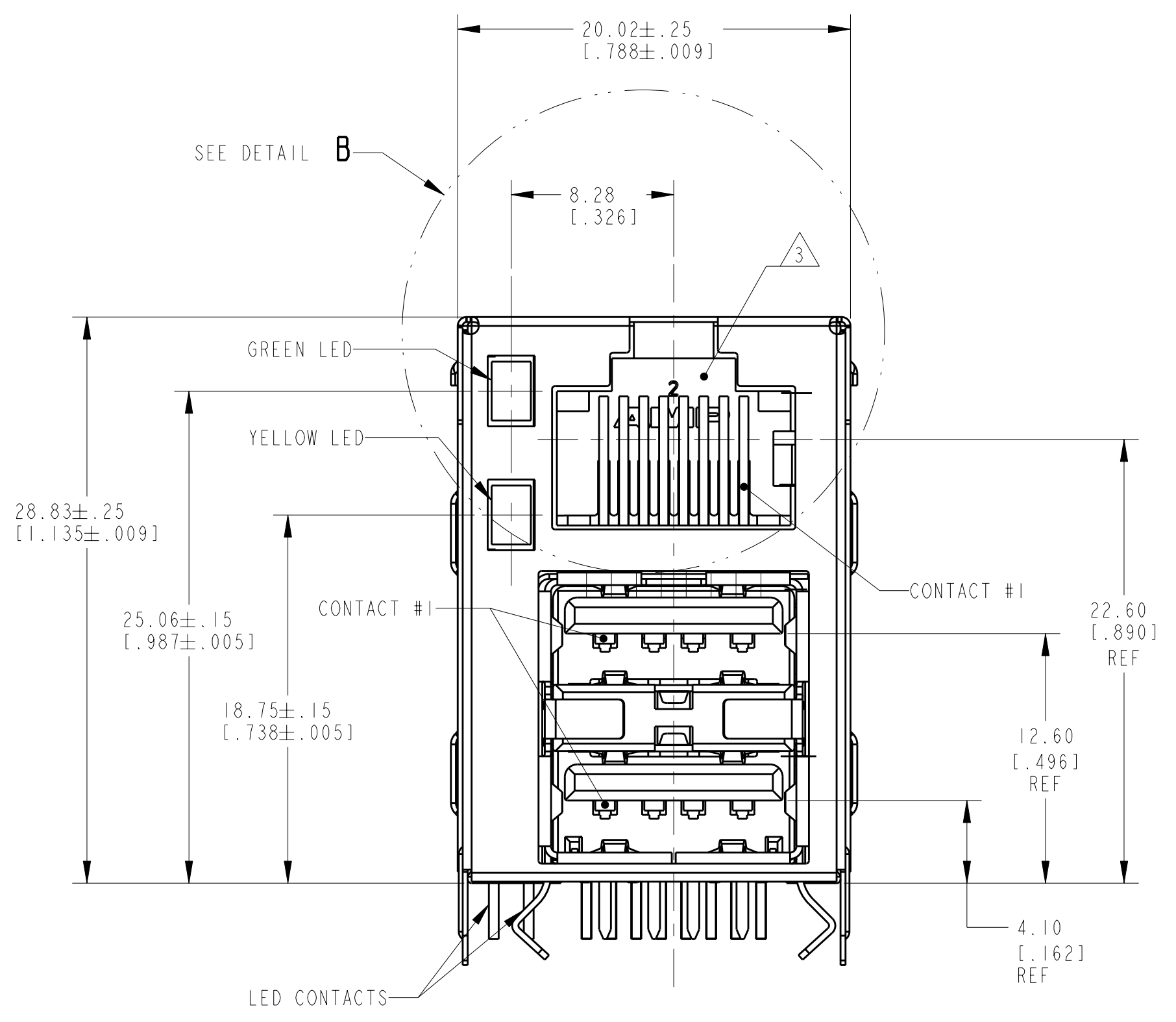


LOC	DIST	REV	DATE	BY	CHK	APP'D
AA	00	A	19JUN2006	LAM	PR	

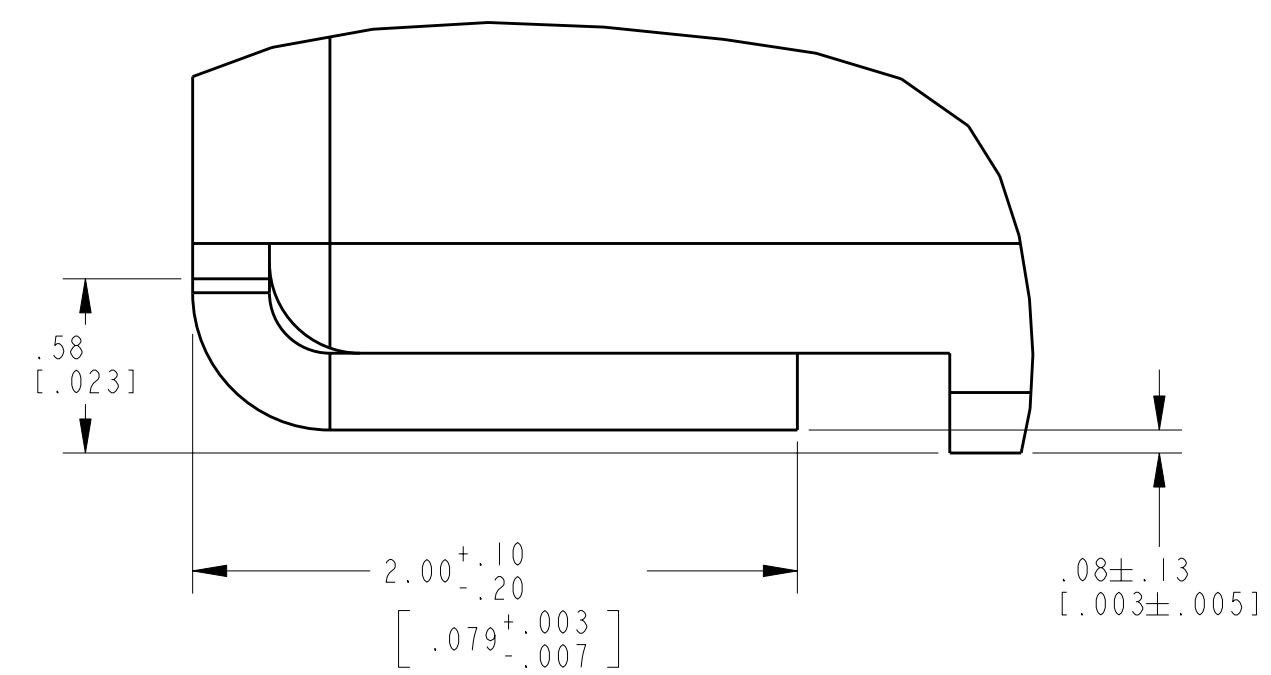
- 1 DATUM AND BASIC DIMENSION ESTABLISHED BY CUSTOMER.
- 2 RECOMMENDED PC BOARD THICKNESS IS 2.36[.093]
- 3 RJ45 JACK CAVITY CONFORMS TO FCC RULES AND REGULATIONS, PART 68 SUBPART F

4. MATERIAL:  
 HOUSING: ALL PLASTIC HOUSINGS IN THIS ASSEMBLY, THERMOPLASTIC, BLACK UL94V-0/5V.  
 TERMINAL: USB: 0.251±0.013 THICK PHOSPHOR BRONZE PLATED WITH 1.27µm NICKEL. IN LOCALIZED GOLD PLATE AREA IS ADDED OVER NICKEL UNDERPLATE. IN SOLDER AREA 3.8µm MIN 93/7% BRIGHT TIN-LEAD IS ADDED OVER NICKEL UNDERPLATE.  
 RJ45: 0.318 THICK PHOSPHOR BRONZE PLATED WITH 1.27µm MIN THICK NICKEL. IN LOCALIZED GOLD PLATE AREA 1.27µm MIN THICK GOLD IS ADDED OVER NICKEL UNDERPLATE. IN SOLDER AREA 3.8µm MIN 93/7% TIN-LEAD IS ADDED OVER NICKEL UNDERPLATE.  
 LED: 0.5 DIAMETER CARBON STEEL LEADS PREPLATED WITH 7.62µm TIN OVER 2.03µm SILVER OVER 1.02µm COPPER OVER 3.56µm NICKEL OVER 1.02 µm COPPER  
 SHIELD: OUTER: 0.254 THICK COPPER-ZINC ALLOY PREPLATED WITH BRIGHT 93/7% TIN-LEAD ALLOY 2µm TO 3.8µm THICK. INNER: 0.318 THICK COPPER-ZINC ALLOY PREPLATED WITH BRIGHT 93/7% TIN-LEAD ALLOY 2µm TO 3.8µm THICK. USB: 0.318 THICK PHOSPHOR-BRONZE PREPLATED WITH 5.1µm MIN TIN.

5. UNLESS OTHERWISE SPECIFIED ALL DIMENSIONS ARE NOMINAL.



DETAIL B  
 SCALE 8:1



DETAIL A  
 SCALE 40:1

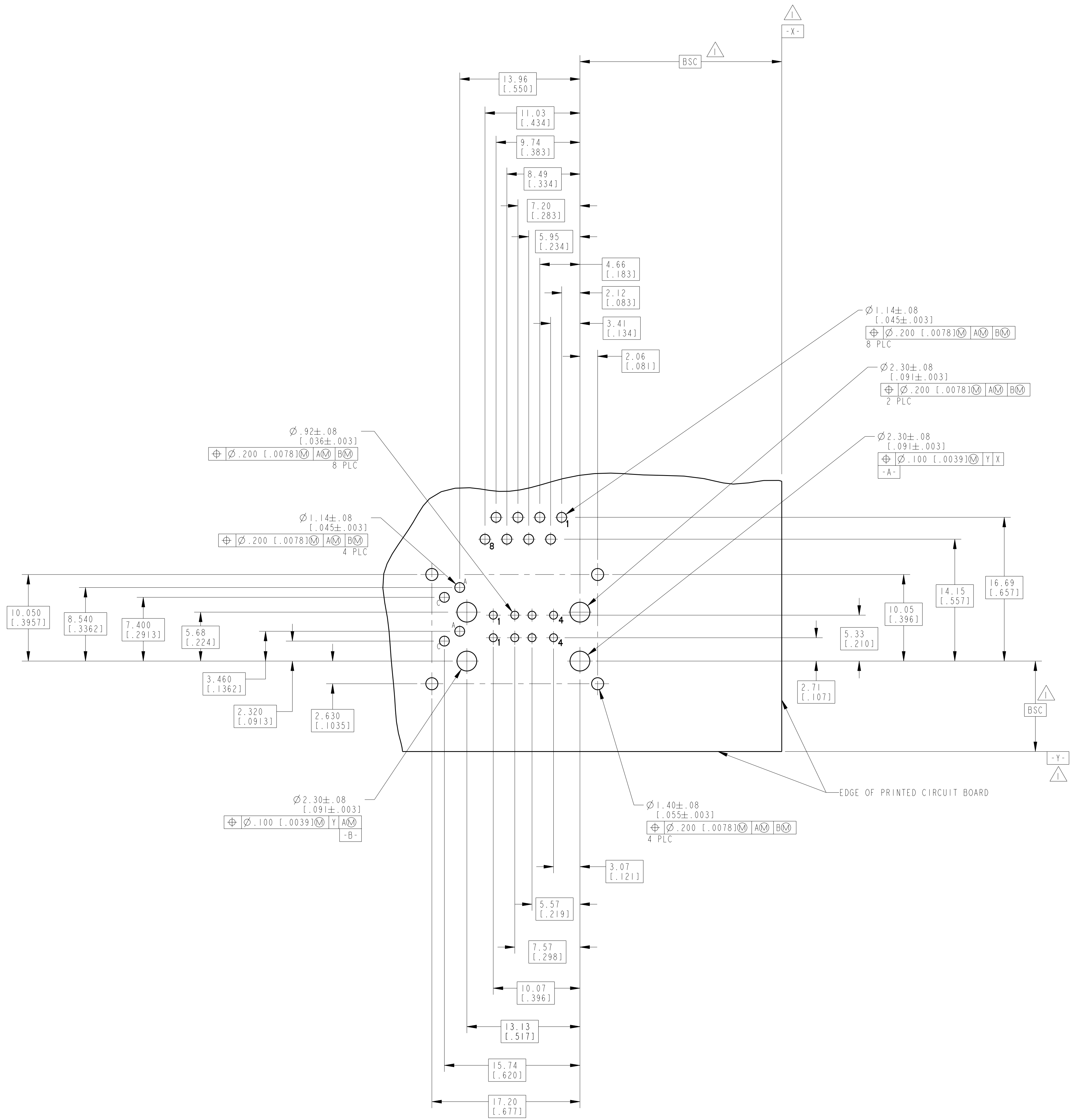
WITH LEDS	1116640-1
DESCRIPTION	PART NO.

DIMENSIONS: mm [INCHES] TOLERANCES UNLESS OTHERWISE SPECIFIED: 9 PLC ± 1 PLC ±.01 [.001] 5 PLC ±.01 [.001] 4 PLC ±.01 [.001] ANGLES ±.1°		DWN J. GERACE 19JAN00 CHK D. DIXON 19JAN00 APVD D. SUMMERS 19JAN00 PRODUCT SPEC APPLICATION SPEC WEIGHT CUSTOMER DRAWING	NAME ASSEMBLY, RJ-45 MODULAR JACK OVER STACKED USB RECEPTACLE SIZE CAGE CODE DRAWING NO A 00779 C=1116640 SCALE 4:1 SHEET 1 OF 2 REV A	tyco AMP Incorporated Harrisburg, PA 17105-3608 RESTRICTED TO
--	--	--	--	---

LOC	DIST	REV	DATE	BY	APPD
AA	00				

REVISIONS			
REV	DATE	BY	APPD
-	-	-	-
-	-	-	-



RECOMMENDED PCB LAYOUT

<small>THIS DRAWING IS UNPUBLISHED. IT IS SUBJECT TO CHANGE WITHOUT NOTICE. THE USER SHALL BE RESPONSIBLE FOR VERIFYING THE DIMENSIONS AND TOLERANCES OF THE PARTS AND ASSEMBLY. CONTACT THE SUPPLIER FOR THE LATEST REVISION.</small>		DWN: J. GERACE 19JAN00 CHK: D. DIXON 19JAN00 APVD: D. SUMMERS 19JAN00	<b>tyco</b> AMP Incorporated Harrisburg, PA 17105-3608
DIMENSIONS: mm [ INCHES ]	TOLERANCES UNLESS OTHERWISE SPECIFIED: 9 PLC ± 1 PLC ± 2 PLC ±0.13(.005) 3 PLC ± 4 PLC ± ANGLES ±1°	NAME: ASSEMBLY, RJ-45 MODULAR JACK OVER STACKED USB RECEPTACLE PRODUCT SPEC: APPLICATION SPEC: WEIGHT:	SIZE: A   00779   C=1116640 SCALE: 4:1 SHEET 2 OF 2 REV A
MATERIAL: SEE NOTE 4 FINISH: SEE NOTE 4		CUSTOMER DRAWING	