

General Specifications

Motor Protection:

Auto Restart

Insulation Resistance:

10M Ω or over with a DC500V Megger

Dielectric Withstand Voltage: AC 700V 1s

Allowable Ambient Temperature Range:

-40°C ~ +40°C (Operating)

-40°C ~ +70°C (Storage)

(non-condensing environment)

Expected Life

-20°C 70,000 Hours (L10)

Material

Casing : Plastic (Black) PBT UL94V-0

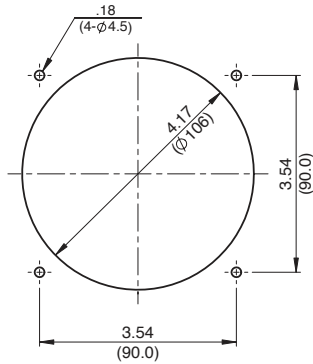
Impeller : Plastic (Green) UL94HB

Bearing : Ball Bearing

Lead Wire : UL1007, AWG26, +Red, -Black

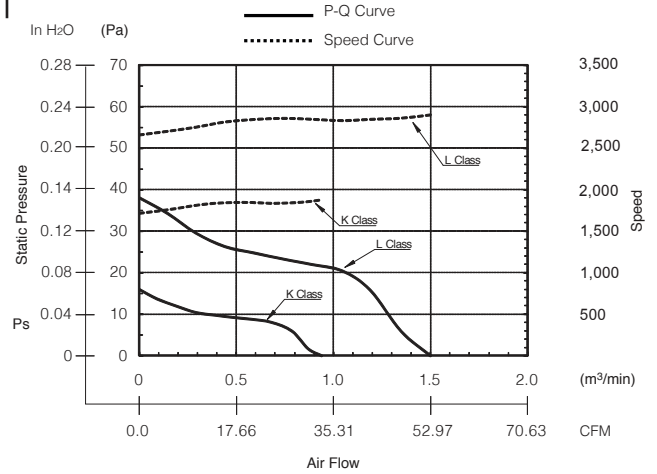
Panel Cut-Outs

Units: $\frac{\text{inch}}{\text{mm}}$

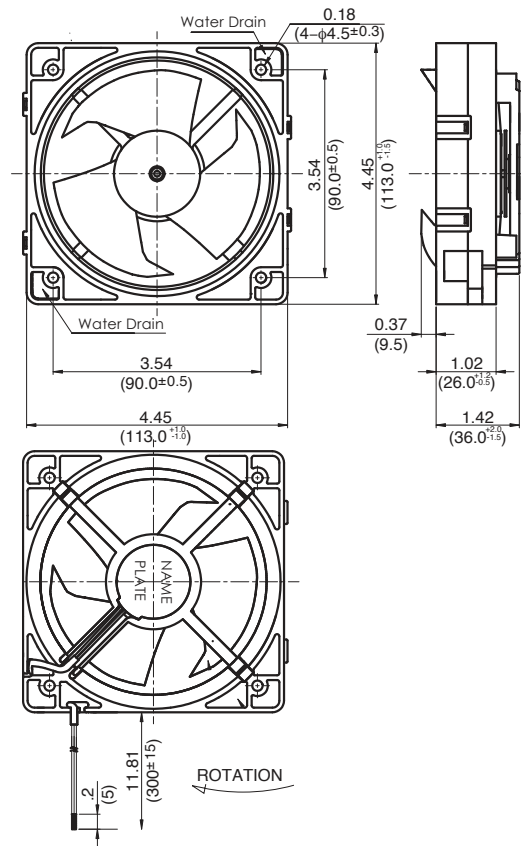


INLET SIDE

Characteristic Curves



Outline



Specifications

MODEL	Rated Voltage	Operating Voltage	Current	Input Power	Speed	Max. Air Flow		Max. Static Pressure		Noise	Mass
	(V)	(V)	(A) ^{*1}	(W) ^{*1}	(min ⁻¹) ^{*1}	CFM ⁻¹	(m ³ /min) ⁻¹	in H ₂ O	(Pa) ⁻¹	(dB) ⁻¹	(g)
11338JE-12K-BA-F0	12	7.0 ~ 13.8	0.08	0.96	1920	33.20	0.94	.06	15.9	21.5	170
11338JE-12L-BA-F0	12	7.0 ~ 13.8	0.13	1.56	2900	52.47	1.50	.15	38.0	32.5	170

Rotation: Clockwise

Airflow Outlet: Air Out Over Struts

*1: Average Values in Free Air

Note: PWM/Locked Rotor/Tach Available