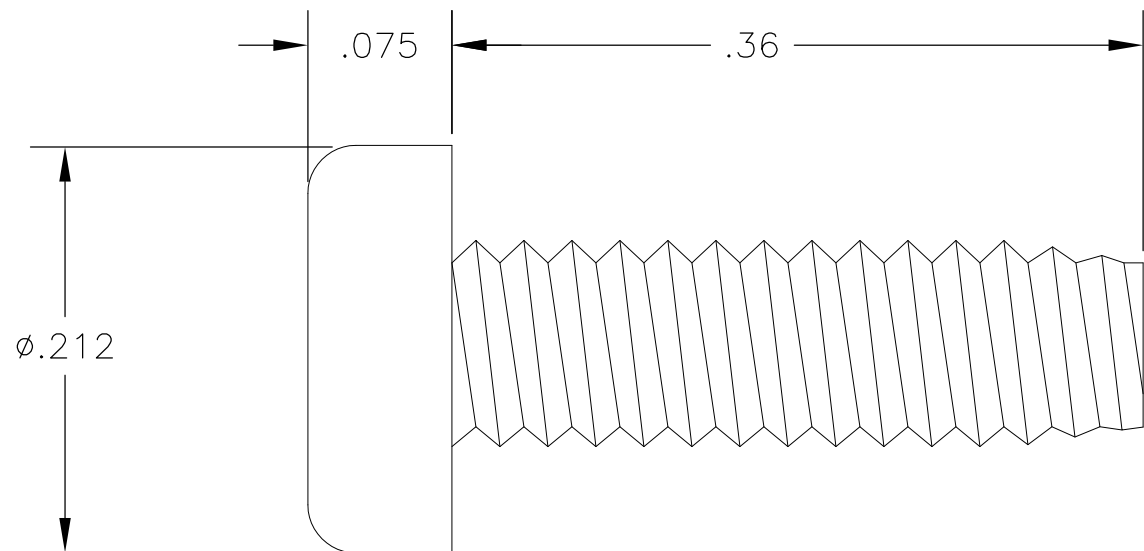
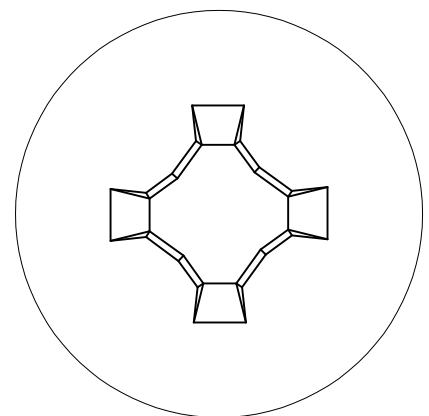


THIS DRAWING IS UNPUBLISHED. RELEASED FOR PUBLICATION
 © COPYRIGHT BY TYCO ELECTRONICS CORPORATION. ALL RIGHTS RESERVED.

LOC	DIST	REVISIONS					
GP	00	P	LTR	DESCRIPTION	DATE	DWN	APVD
			A	NEW RELEASE	21DEC07	RG	DO



- PART NUMBER CHANGES AND/OR DESIGN CHANGES AFFECTING ITEM INTERCHANGEABILITY REQUIRE PRIOR TYCO ELECTRONICS APPROVAL AND AUTHORIZATION BY REVISION TO THIS DRAWING.
- ITEMS PROVIDED TO THIS SPECIFICATION TO BE PERMANENTLY IDENTIFIED ON THE CONTAINER PER THE FOLLOWING IDENTIFIER:

TYCO ELECTRONICS P/N: XXXXXXXX-X
 DATE CODE (e.g. 0212): YEAR WEEK
 XXXX

AS SHOWN	1766829-1
DESCRIPTION	PART NUMBER

THIS DRAWING IS A CONTROLLED DOCUMENT.		DWN	R.GRZYBOWSKI	21DEC2007	Tyco Electronics Corporation Harrisburg, PA 17105-3608		
DIMENSIONS: INCHES		CHK	D.ORRIS	21DEC07	NAME		
TOLERANCES UNLESS OTHERWISE SPECIFIED:		APVD	S.FLICKINGER	21DEC07	SCREW, SELF-TAPPING 4-40 THD. PAN HEAD, PHILLIPS		
0 PLC ± - 1 PLC ± - 2 PLC ± .02 3 PLC ± .010 4 PLC ± - ANGLES ± -		PRODUCT SPEC		DRAWING NO		RESTRICTED TO	
MATERIAL		FINISH		SIZE		CAGE CODE	
-		-		A3		00779	
CUSTOMER DRAWING				DRAWING NO		SCALE	
				G-1766829		10:1	
				SHEET		REV	
				1 OF 1		A	

ELCON DOMINO