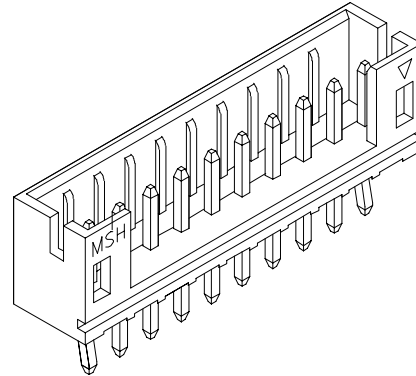
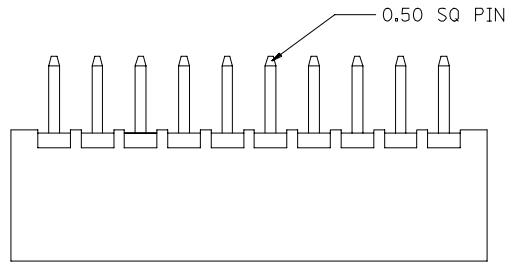
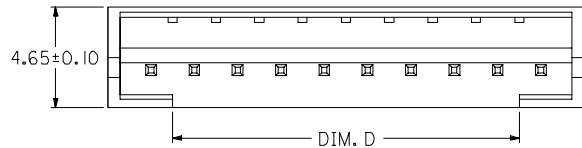


10 9 8 7 6 5 4 3 2 1



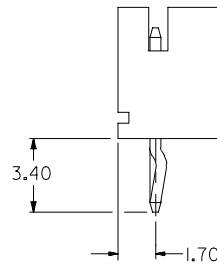
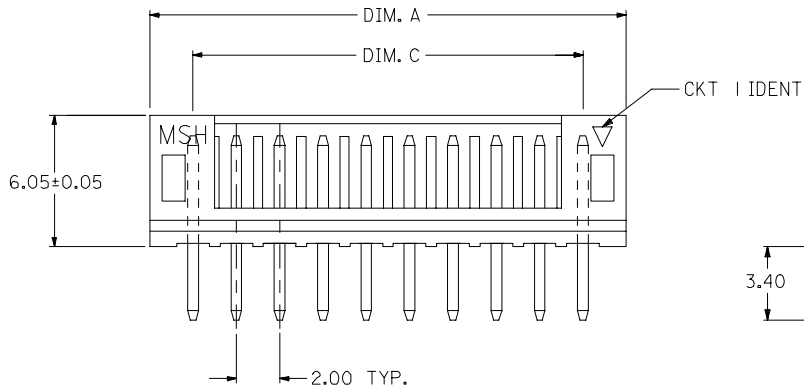
CIRCUITS	ORDER NO.	DIM. C	DIM. D	DIM. A
2	89400-021*	2.00	0.75	6.00
3	89400-031*	4.00	2.00	8.00
4	89400-041*	6.00	4.00	10.00
5	89400-051*	8.00	6.00	12.00
6	89400-061*	10.00	8.00	14.00
7	89400-071*	12.00	10.00	16.00
8	89400-081*	14.00	12.00	18.00
9	89400-091*	16.00	14.00	20.00
10	89400-101*	18.00	16.00	22.00
11	89400-111*	20.00	18.00	24.00
12	89400-121*	22.00	20.00	26.00
13	89400-131*	24.00	22.00	28.00
14	89400-141*	26.00	24.00	30.00
15	89400-151*	28.00	26.00	32.00
16	89400-161*	30.00	28.00	34.00



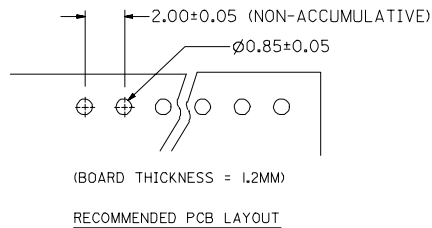
PART NO. LEGEND  
89400 - \*\*1\*

CKT SIZE

COLOR OPTION  
0 - NATURAL (WHITE)  
1 - BLACK  
2 - RED  
3 - YELLOW  
4 - BLUE  
6 - GREEN



- NOTE:
- MATERIALS : HOUSING - NYLON (PA66), UL94 V-0  
COLOR : SEE OPTION  
TERMINAL - BRASS
  - FINISHES : TERMINAL - TIN THICKNESS 1.27-2.54 MICROMETER OVER  
NICKEL THICKNESS 2.54 MICROMETER MIN OVERALL  
COPPER THICKNESS 1.07 MICROMETER MIN OVERALL
  - PRODUCT SPECIFICATION : PS-87369-0001
  - BULK PACK IN PVC BAG WITH 1000 PCS PER BAG.



NEW RELEASE  
EC NO: SH2006-0288  
DRWN:DHU 2005/12/07  
CHKD:HARVEY 2005/12/08  
APPR:GCHEN 2005/12/09

QUALITY SYMBOLS  
▽=0  
▽C=0

GENERAL TOLERANCES (UNLESS SPECIFIED)	
mm	INCH
4 PLACES	± ---
3 PLACES	± ---
2 PLACES	± 0.2
1 PLACE	± ---
ANGULAR ± ---°	

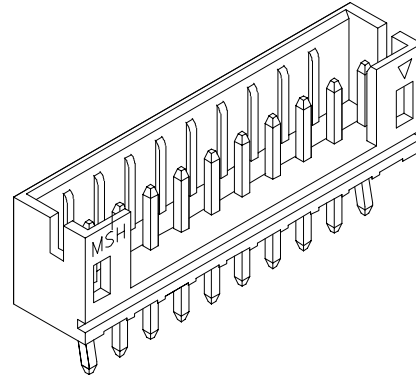
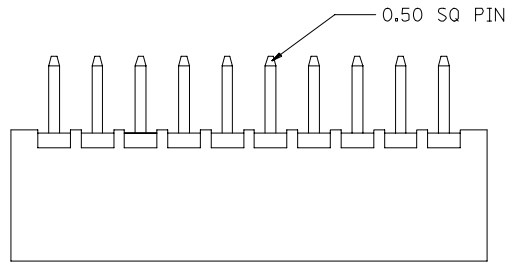
DRAFT WHERE APPLICABLE  
MUST REMAIN  
WITHIN DIMENSIONS

DIMENSION STYLE MM ONLY	
DRAWN BY	DATE
G0H	1995/02/04
CHECKED BY	DATE
APPROVED BY	DATE
MATERIAL NO.	DOCUMENT NO.
SEE TABLE	SD-89400-**1*

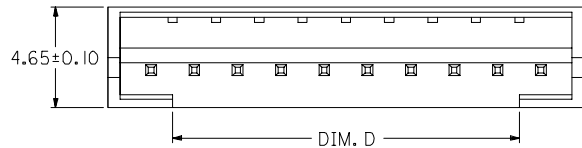
SCALE	DESIGN UNITS METRIC	THIRD ANGLE PROJECTION
MOLEX INCORPORATED		
SHEET NO.		1 OF 1

9 8 7 6 5 4 3 2 1

10 9 8 7 6 5 4 3 2 1



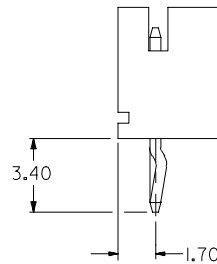
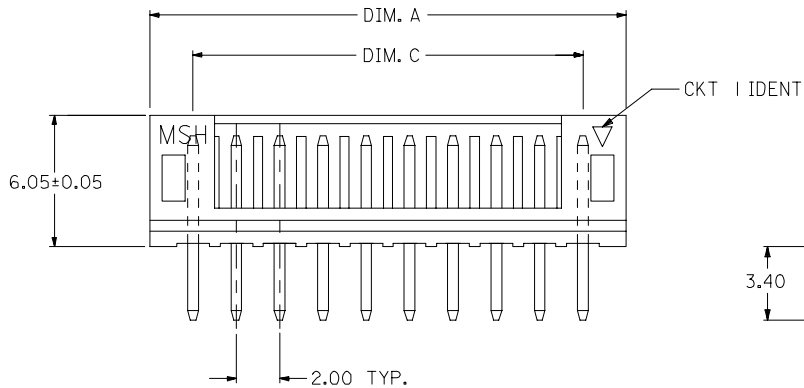
CIRCUITS	ORDER NO.	DIM. C	DIM. D	DIM. A
2	89400-021*	2.00	0.75	6.00
3	89400-031*	4.00	2.00	8.00
4	89400-041*	6.00	4.00	10.00
5	89400-051*	8.00	6.00	12.00
6	89400-061*	10.00	8.00	14.00
7	89400-071*	12.00	10.00	16.00
8	89400-081*	14.00	12.00	18.00
9	89400-091*	16.00	14.00	20.00
10	89400-101*	18.00	16.00	22.00
11	89400-111*	20.00	18.00	24.00
12	89400-121*	22.00	20.00	26.00
13	89400-131*	24.00	22.00	28.00
14	89400-141*	26.00	24.00	30.00
15	89400-151*	28.00	26.00	32.00
16	89400-161*	30.00	28.00	34.00



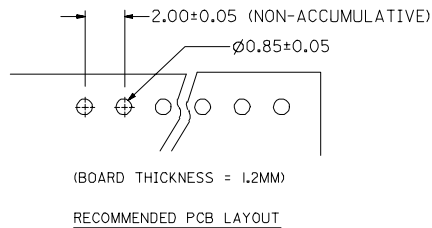
PART NO. LEGEND  
89400 - \*\* 1 \*

CKT SIZE

COLOR OPTION  
0 - NATURAL (WHITE)  
1 - BLACK  
2 - RED  
3 - YELLOW  
4 - BLUE  
6 - GREEN



- NOTE:
- MATERIALS : HOUSING - NYLON (PA66), UL94 V-0  
COLOR : SEE OPTION  
TERMINAL - BRASS
  - FINISHES : TERMINAL - TIN THICKNESS 1.27-2.54 MICROMETER OVER  
NICKEL THICKNESS 2.54 MICROMETER MIN OVERALL  
COPPER THICKNESS 1.07 MICROMETER MIN OVERALL
  - PRODUCT SPECIFICATION : PS-87369-0001
  - BULK PACK IN PVC BAG WITH 1000 PCS PER BAG.



NEW RELEASE  
EC NO: SH2006-0288  
DRWN:DHU 2005/12/07  
CHKD:HARVEY 2005/12/08  
APPR:GCHEN 2005/12/09

QUALITY SYMBOLS  
▽=0  
▽C=0

GENERAL TOLERANCES (UNLESS SPECIFIED)	
mm	INCH
4 PLACES	± ---
3 PLACES	± ---
2 PLACES	± 0.2
1 PLACE	± ---
ANGULAR ± ---°	

DRAFT WHERE APPLICABLE  
MUST REMAIN WITHIN DIMENSIONS

DIMENSION STYLE	
MM ONLY	
DRAWN BY	DATE
G0H	1995/02/04
CHECKED BY	DATE
APPROVED BY	DATE
MATERIAL NO.	DOCUMENT NO.
SEE TABLE	SD-89400-**1*

SCALE	DESIGN UNITS	THIRD ANGLE PROJECTION
	METRIC	
MOLEX INCORPORATED		
SHEET NO.		1 OF 1

9 8 7 6 5 4 3 2 1