

THIS COPY IS PROVIDED ON A RESTRICTED BASIS AND IS NOT TO BE USED IN ANY WAY DETRIMENTAL TO THE INTERESTS OF PANDUIT CORP.

| PANDUIT PART # | MILITARY PART # AND CLASS | STUD SIZE | | DIMENSIONS in. [mm] | | | | |
|----------------|---------------------------|-----------|--------|---------------------|---------------|---------------|---------------|---------------|
| | | AWG | METRIC | L ± .03 [0,8] | W ± .01 [0,3] | C ± .02 [0,5] | M ± .03 [0,8] | H ± .01 [0,3] |
| PNF18-4R | ----- | #4 | -- | .77 [19,6] | .25 [6,4] | .20 [5,1] | .65 [16,5] | .12 [3,0] |
| *PNF18-4RN | MS25036-148 CLASS 1 & 2 | #4 | -- | .73 [18,5] | .22 [5,6] | .19 [4,8] | .63 [16,0] | .12 [3,0] |
| PMNF1-3R | ----- | -- | M3 | .76 [19,3] | .23 [5,8] | .21 [5,3] | .66 [16,8] | .13 [3,3] |
| PNF18-6R | MS25036-102 CLASS 1 & 2 | #6 | M3,5 | .77 [19,6] | .25 [6,4] | .20 [5,1] | .65 [16,5] | .15 [3,8] |
| PNF18-6RN | MS25036-101 CLASS 1 & 2 | #6 | M3,5 | .76 [19,3] | .22 [5,6] | .18 [4,6] | .63 [16,0] | .15 [3,8] |
| PNF18-8R | MS25036-149 CLASS 1 & 2 | #8 | M4 | .87 [22,1] | .31 [7,9] | .24 [6,1] | .72 [18,3] | .17 [4,3] |
| PNF18-10R | MS25036-103 CLASS 1 & 2 | #10 | -- | .87 [22,1] | .32 [8,1] | .25 [6,4] | .72 [18,3] | .20 [5,1] |
| PMNF1-5R | ----- | -- | M5 | .86 [21,8] | .35 [8,9] | .25 [6,4] | .69 [17,5] | .21 [5,3] |
| PNF18-14R | MS25036-150 CLASS 1 & 2 | 1/4" | M6 | 1.08 [27,4] | .46 [11,7] | .38 [9,7] | .85 [21,6] | .27 [6,9] |
| PNF18-56R | MS25036-104 CLASS 1 & 2 | 5/16" | M8 | 1.08 [27,4] | .46 [11,7] | .39 [9,9] | .85 [21,6] | .34 [8,7] |
| PNF18-38R | MS25036-114 CLASS 1 & 2 | 3/8" | -- | 1.16 [29,5] | .53 [13,5] | .41 [10,4] | .90 [22,9] | .40 [10,2] |

* NOT UL OR CSA CERTIFIED

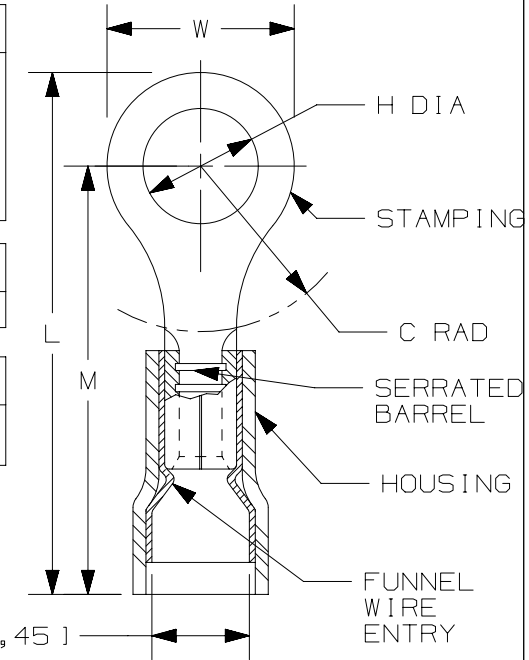
NOTES:

- UL LISTED AND CSA CERTIFIED FOR:
 - #22-18 AWG [0,5-1,0 mm²] SOLID OR STRANDED COPPER WIRE
 - 221°F [105°C] MAX. OPERATING TEMPERATURE
 - 600 V. MAX. VOLTAGE RATING
1000 V. IN SIGNS, FIXTURES & LUMINARIES
- MATERIAL:
 - STAMPING: .03" [0,8mm] THK COPPER, TIN PLATED
 - HOUSING: NYLON, RED
 - SLEEVE: BRASS, TIN PLATED
- SEE www.panduit.com FOR PACKAGE QUANTITIES
- DIMENSIONS IN BRACKETS ARE METRIC EQUIVALENT
- WIRE STRIP LENGTH: 7/32" ^{+1/32}₋₀ [5,6mm ^{+0,8}₋₀]

| UL & CSA TOOLS (DIES) |
|--|
| CT-100A CT-600-A (CT-500CH) CT-600-A (CT-550CH) CT-1550 CT-1551 CT-2500 (CT-2550CH) |

| MILITARY CLASS 2 TOOL |
|-----------------------|
| CT-400 |

| PANDUIT APPROVED TOOLS |
|------------------------|
| CT-160 CT-260 |



| | |
|---|----------------------------|
| TITLE RING TERMINALS, 3 PC. NYLON INSULATED, #22-18 AWG, FUNNEL ENTRY (PNF18) CUSTOMER DRAWING | |
| ITEM REVISION NAME N41275BA/13 | PANDUIT |
| DATASET FILE NAME N41275BA_DC/13 | |
| UNLESS OTHERWISE SPECIFIED, DIMENSIONAL TOLERANCES ARE: IN (mm) .X ± .XXX ± .XX ± ANGLES ± | MATERIAL: SEE NOTES |
| THIRD ANGLE PROJECTION | DRAWING NUMBER: A41275 |
| DRAWN BY DAW | DATE - |
| CHK LM | SCALE N.T.S. |
| SHT 1 OF 1 | |
| A | |

D10100DA/15