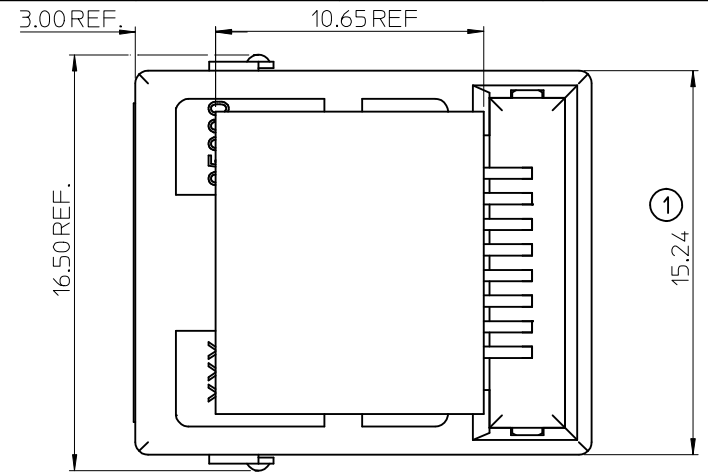
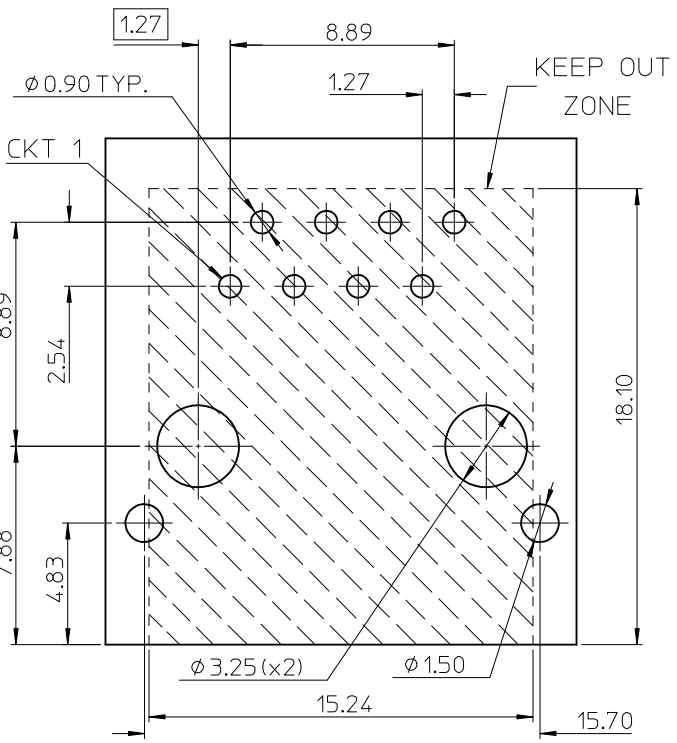
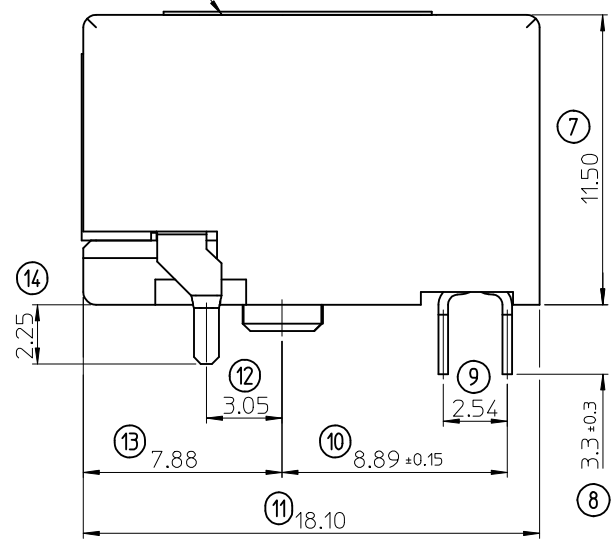
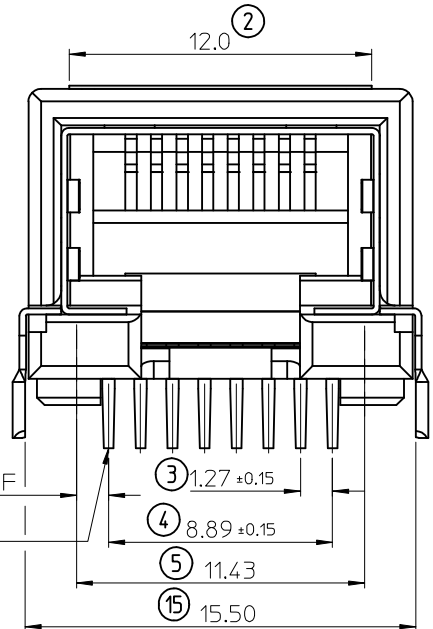


- NOTES:
- 1- MATERIAL :
 - HOUSING :-LCP GLASS FILLED UL 94V0, COLOUR: BLACK
 - TERMINAL:-COPPER ALLOY PLATED WITH:
 - BASE FINISH: NICKEL
 - CONTACT SURFACE FINISH:
 - GOLD,
 - OR
 - GOLD FLASH OVER PALLADIUM NICKEL.
 - EXCEEDS PRODUCT REQUIREMENTS BASED ON PS-95540-002
 - SHIELD: COPPER ALLOY PLATED WITH TIN.
 - 2- P.C. BOARD THICKNESS: 1.57±0.15
 - 3- JACK FOR MATING WITH IEC 60603-7 AND TIA-1096-A PLUGS
 - 4- PRODUCT SPECIFICATION: PS-95540-002
 - 5- PACKAGING SPECIFICATION: PK-95540-001
 - 6- MANUFACTURING I.D. CAN BE EITHER MXI, MG OR MXF.
 - 7- KAPTON ADHESIVE FOIL: 0.125 THICK
 LAST INSPECTION NO: ⑩
 REMOVED INSPECTION NO: ⑥

MATERIAL NUMBER
95540-7886



NOTE 7:



RECOMMENDED P.C. BOARD LAYOUT
 VIEW FROM COMPONENT SIDE
 ALL DIMENSIONS REF DIMENSIONS

UPDATED VIEW EC NO: IPG2014-0847 DRWN:DBYRNES 2013/10/16 CHKD: APPR:STGRIFFIN 2013/12/16	QUALITY SYMBOLS ▽=0 Ⓢ=0	GENERAL TOLERANCES (UNLESS SPECIFIED) <table border="1"> <thead> <tr> <th></th> <th>mm</th> <th>INCH</th> </tr> </thead> <tbody> <tr> <td>4 PLACES</td> <td>± ---</td> <td>± ---</td> </tr> <tr> <td>3 PLACES</td> <td>± ---</td> <td>± ---</td> </tr> <tr> <td>2 PLACES</td> <td>± 0.10</td> <td>± ---</td> </tr> <tr> <td>1 PLACE</td> <td>± 0.15</td> <td>± ---</td> </tr> </tbody> </table>		mm	INCH	4 PLACES	± ---	± ---	3 PLACES	± ---	± ---	2 PLACES	± 0.10	± ---	1 PLACE	± 0.15	± ---	DIMENSION STYLE MM ONLY DRAWN BY: D.BYRNES DATE: 2009/08/20 CHECKED BY: JDWALLACE DATE: 2009/08/21 APPROVED BY: JDWALLACE DATE: 2009/08/21 MATERIAL NO.	SCALE 5:1 DESIGN UNITS METRIC THIRD ANGLE PROJECTION	TITLE RIGHT ANGLE LOW PROFILE SHIELDED PC JACK 8CKT T/HOLE MOLEX INCORPORATED DOCUMENT NO.	SHEET NO. 1 OF 1
		mm	INCH																		
4 PLACES	± ---	± ---																			
3 PLACES	± ---	± ---																			
2 PLACES	± 0.10	± ---																			
1 PLACE	± 0.15	± ---																			
DRAFT WHERE APPLICABLE MUST REMAIN WITHIN DIMENSIONS	SEE CHART	THIS DRAWING CONTAINS INFORMATION THAT IS PROPRIETARY TO MOLEX INCORPORATED AND SHOULD NOT BE USED WITHOUT WRITTEN PERMISSION																			