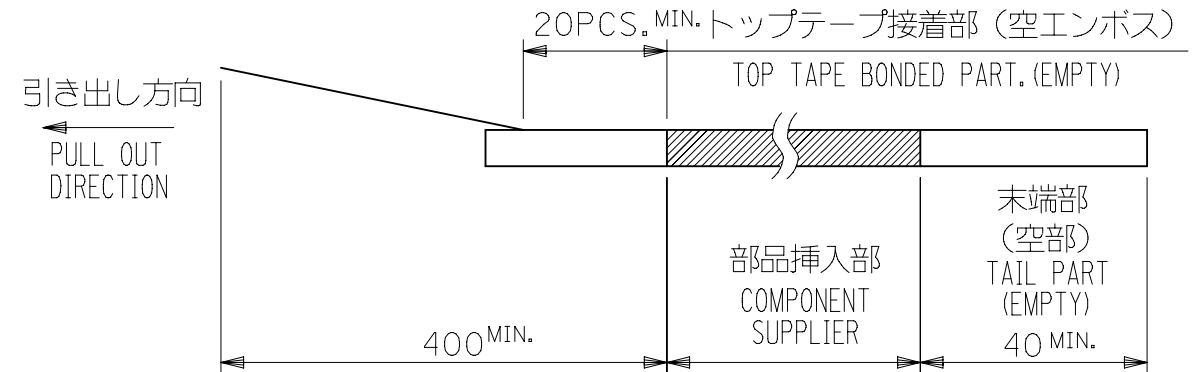


DETAIL "F"

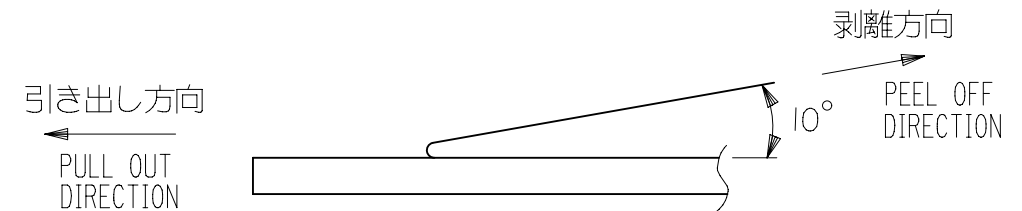
注記 NOTES.

- 製品詳細寸法については図面 SD-54137-001 を参照下さい。
RE DETAILED DIMENSION, SEE SD-54137-001
- 梱包数量：3000個/リール
NUMBER OF CONNECTORS : 3000PCS/REEL
- リードテープ長さ LEAD TAPE LENGTH



- トップテープの剥離強度：0.1N~1.3N {10gf~130gf}
(剥離方向は下図参照)

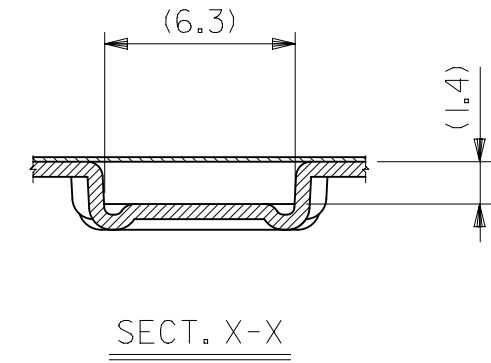
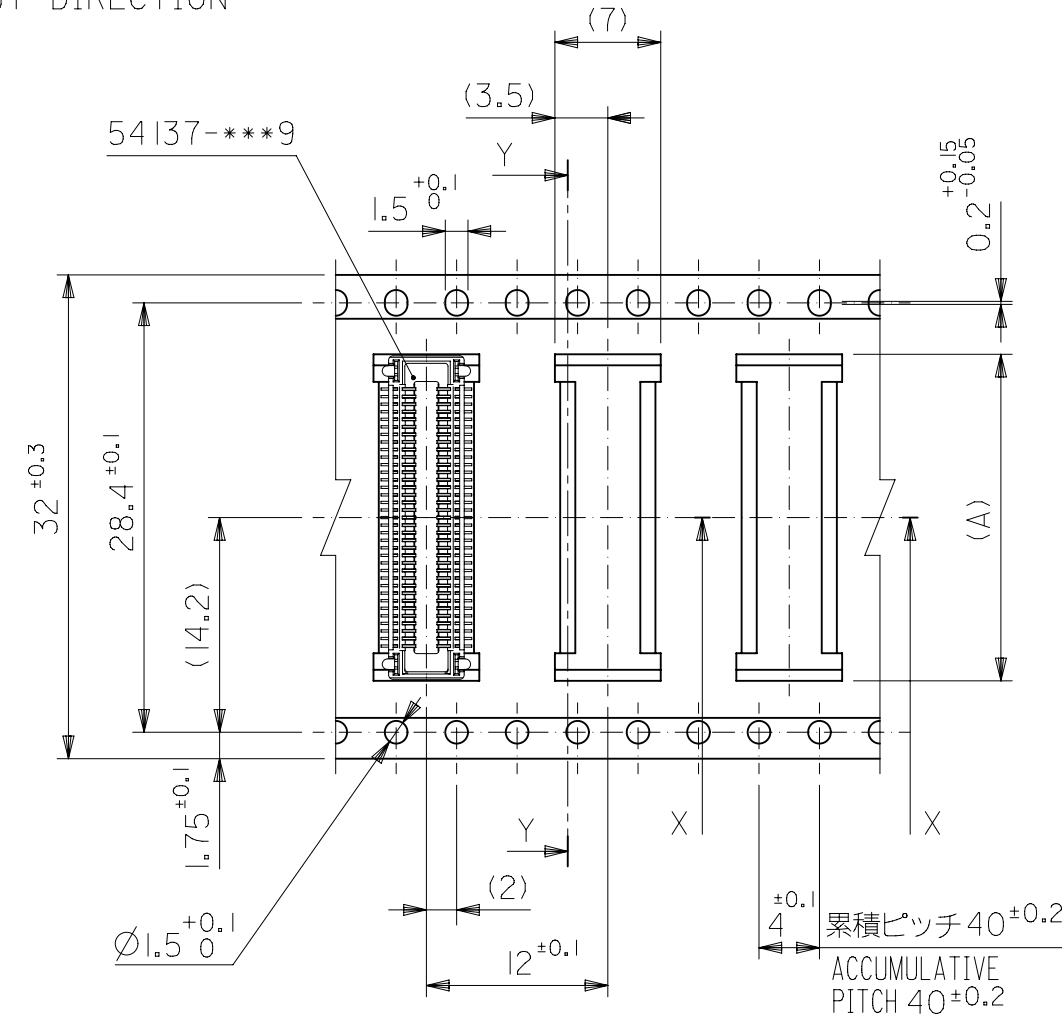
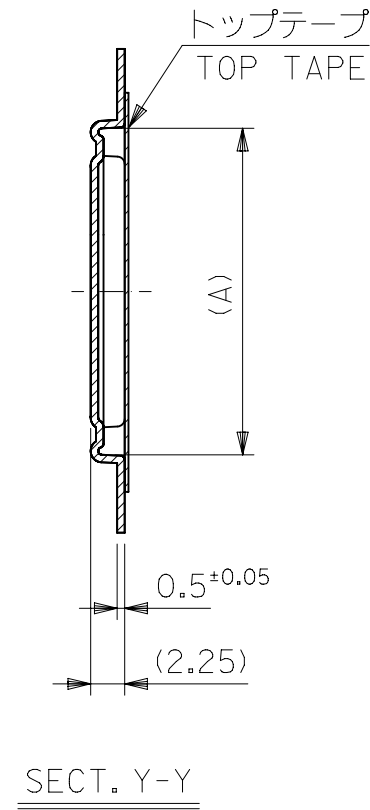
尚、本規格値は出荷時に適用。(但し、輸送時に剥離が発生しないこと。)
PEELING OFF FORCE OF TOP TAPE : 0.1N~1.3N {10gf~130gf}
(PEELING DIRECTION AS SHOWN IN FOLLOWING FIG.)
THIS REQUIREMENT SHOULD BE APPLIED AT SHIPMENT.
PEEL OFF SHOULD NOT BE ALLOWED , DURING TRANSPORTATION.



- 材料 (MATERIAL)
キャリアテープ (CARRIER TAPE) : ポリプロピレン (POLYPROPYLENE)
トップテープ (TOPTAPE) : PET , PE , PEF
リール (REEL) : ポリスチレン (PS) <リサイクル材を含む>
POLYSTYRENE (PS) <RECYCLE MATERIAL CONTAINED>
- 本製品は54137-***8の鉛フリー品である。
THIS PRODUCT IS LEAD FREE OF 54137-***8.

MATERIAL 材料	注記参照 SEE NOTES	GENERAL TOLERANCES: (UNLESS SPECIFIED) 一般公差		THIS DRAWING CONTAINS INFORMATION THAT IS PROPRIETARY TO MOLEX ELECTRONIC TECHNOLOGIES, LLC AND SHOULD NOT BE USED WITHOUT WRITTEN PERMISSION														
		10 UNDER 未満	±0.2	DIMENSION UNITS	SCALE	CURRENT REV DESC:												
		10 OVER 以上	30 UNDER 未満	±0.25	mm	NTS	EC NO: 624461											
		30 OVER 以上	±0.3	GENERAL TOLERANCES (UNLESS SPECIFIED)		DRWN: AKUMAR19	2019/01/30											
FINISH 仕上げ	#	ANGLE 角度	±3°	4 PLACES ±	3 PLACES ±	2 PLACES ±	1 PLACE ±	0 PLACES ±	ANGULAR TOL ± °	MM	INCH	CHK'D: GGA	2019/10/17	DRWN: Y.WADA	2004/02/24	APPR: M.SASAO	2004/02/24	PRODUCT CUSTOMER DRAWING
WIRE RANGE 適用電線範囲	#															DOCUMENT NUMBER		
INS. RANGE 被覆外径	#															SD-54137-002		
DOCUMENT STATUS		P1	RELEASE DATE	2019/10/17	02:38:50	DRAFT WHERE APPLICABLE MUST REMAIN WITHIN DIMENSIONS		THIRD ANGLE PROJECTION	DRAWING	SERIES	MATERIAL NUMBER	CUSTOMER	SHEET NUMBER					
									B-SIZE	54137	SEE TABLE	GENERAL MARKET	1 OF 3					

引き出し方向
PULL OUT DIRECTION



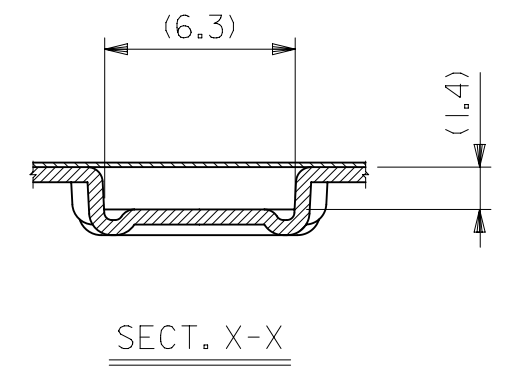
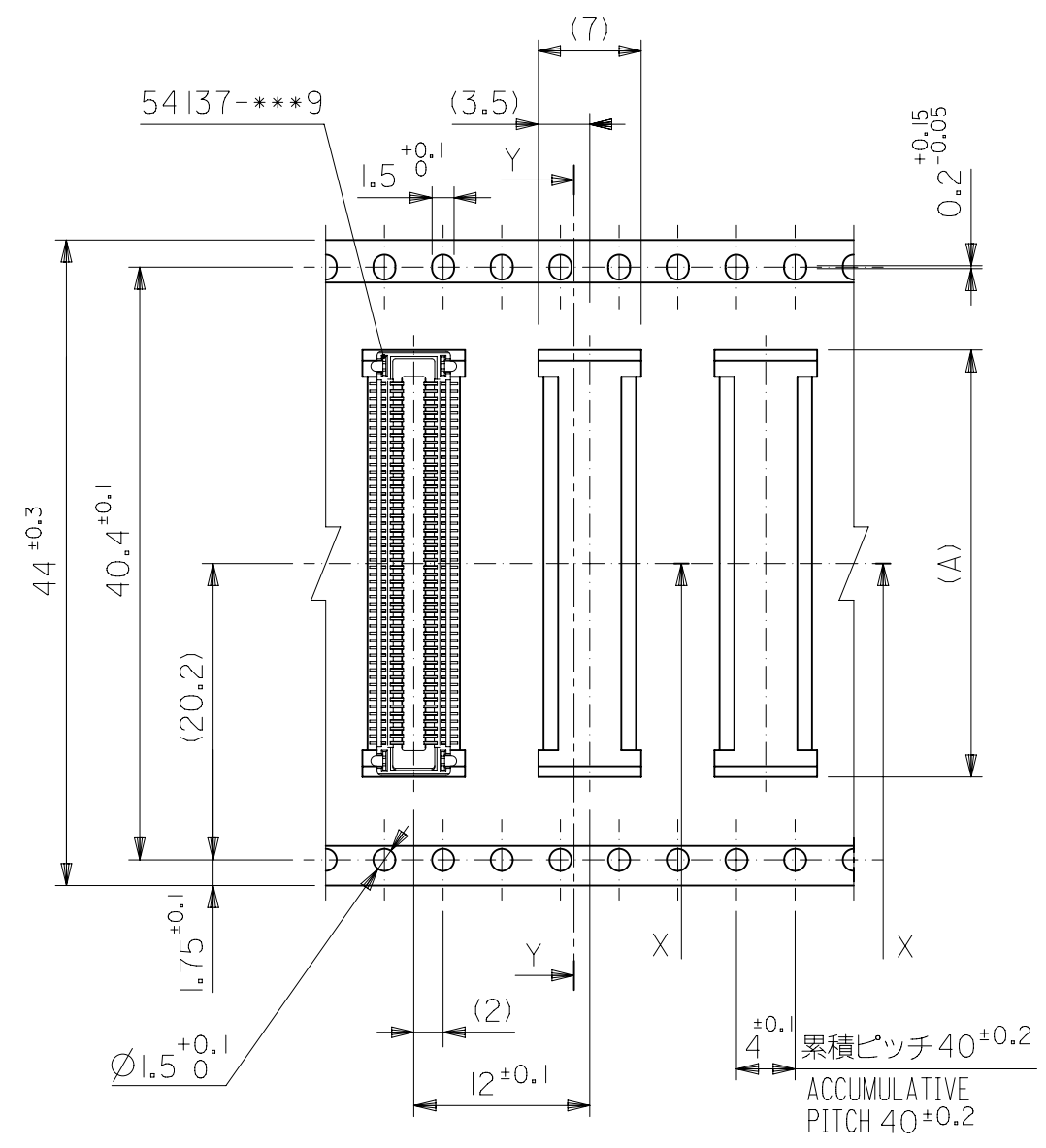
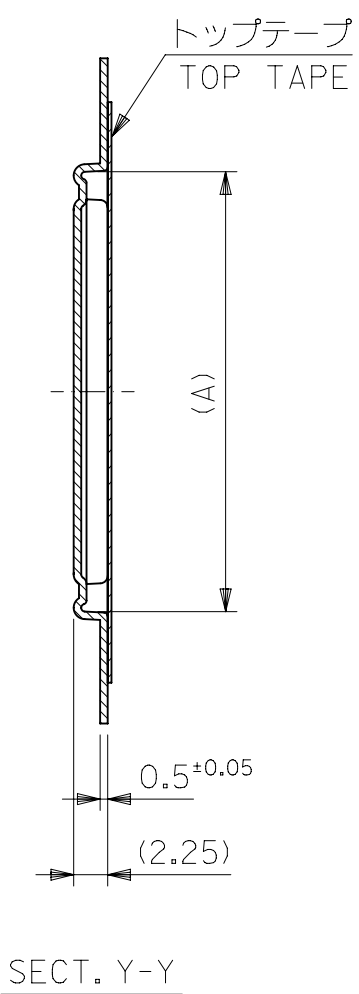
32mm幅キャリアテープ
32mm WIDTH CARRIER TAPE

32	37.4	33.4	21.6	54137-0778	70
キャリアテープ幅 CARRIER TAPE WIDTH	C	B	(A)	MATERIAL NO.	極数 CK+

MATERIAL 材料	注記参照 SEE SHEET 1 OF 3	GENERAL TOLERANCES: (UNLESS SPECIFIED) 一般公差	
FINISH 仕上げ	#	10 UNDER 未満	±0.2
WIRE RANGE 適用電線範囲	#	10 OVER 30 UNDER 以上 未満	±0.25
INS. RANGE 被覆外径	#	30 OVER 以上	±0.3
		ANGLE 角度	±3°

THIS DRAWING CONTAINS INFORMATION THAT IS PROPRIETARY TO MOLEX ELECTRONIC TECHNOLOGIES, LLC AND SHOULD NOT BE USED WITHOUT WRITTEN PERMISSION		CURRENT REV DESC:		molex	
DIMENSION UNITS		SCALE			
mm		NTS		EC NO: 624461	
GENERAL TOLERANCES (UNLESS SPECIFIED)				DRWN: AKUMAR19 2019/01/30	
4 PLACES ±		±		CHK'D: GGA 2019/10/17	
3 PLACES ±		±		APPR: GGA 2019/10/17	
2 PLACES ±		±		INITIAL REVISION:	
1 PLACE ±		±		DRWN: Y.WADA 2004/02/24	
0 PLACES ±		±		APPR: M.SASAO 2004/02/24	
ANGULAR TOL ± °		± °		DOCUMENT NUMBER	
DRAFT WHERE APPLICABLE MUST REMAIN WITHIN DIMENSIONS		THIRD ANGLE PROJECTION		SD-54137-002	
		DRAWING		DOC TYPE DOC PART REVISION	
		B-SIZE		PSD 001 A	
		SERIES		MATERIAL NUMBER	
		54137		SEE TABLE	
		CUSTOMER		GENERAL MARKET	
				SHEET NUMBER	
				2 OF 3	

引き出し方向
PULL OUT DIRECTION



44mm幅キャリアテープ
44mm WIDTH CARRIER TAPE

44	49.4	45.4	29.1	54137-1078	100
キャリアテープ幅 CARRIER TAPE WIDTH	C	B	26.6	54137-0978	90
			(A)	MATERIAL NO.	極数 Ck+

MATERIAL 材料	注記参照 SEE SHEET 1 OF 3	GENERAL TOLERANCES: (UNLESS SPECIFIED) 一般公差
FINISH 仕上げ	#	10 UNDER 未満 ±0.2
WIRE RANGE 適用電線範囲	#	10 OVER 以上 30 UNDER 未満 ±0.25
INS. RANGE 被覆外径	#	30 OVER 以上 ±0.3
		ANGLE 角度 ±3°

THIS DRAWING CONTAINS INFORMATION THAT IS PROPRIETARY TO MOLEX ELECTRONIC TECHNOLOGIES, LLC AND SHOULD NOT BE USED WITHOUT WRITTEN PERMISSION	
DIMENSION UNITS	SCALE
mm	NTS
GENERAL TOLERANCES (UNLESS SPECIFIED)	
4 PLACES ±	±
3 PLACES ±	±
2 PLACES ±	±
1 PLACE ±	±
0 PLACES ±	±
ANGULAR TOL ±	°
DRAFT WHERE APPLICABLE MUST REMAIN WITHIN DIMENSIONS	

CURRENT REV DESC:	
EC NO: 624461	
DRWN: AKUMAR19	2019/01/30
CHK'D: GGA	2019/10/17
APPR: GGA	2019/10/17
INITIAL REVISION:	
DRWN: Y.WADA	2004/02/24
APPR: M.SASAO	2004/02/24
THIRD ANGLE PROJECTION	DRAWING
⊕	B-SIZE
SERIES	54137

molex			
0.5 BTB CONN REC ASSY WITH NAIL HGT=1.5 EMBSTP PKG -LEAD FREE-			
PRODUCT CUSTOMER DRAWING			
DOCUMENT NUMBER	DOC TYPE	DOC PART	REVISION
SD-54137-002	PSD	001	A
MATERIAL NUMBER	CUSTOMER	SHEET NUMBER	
SEE TABLE	GENERAL MARKET	3 OF 3	