

- NOTES:
1. MATERIAL: SEE TABLE
 2. FINISHES: SEE TABLE
 3. ELECTRICAL SPECIFICATIONS
VOLTAGE RATING: 300V AC/DC
CURRENT RATING: 8 AMPS
 4. PROTECTION: IP67
 5. ASSEMBLY IS RoHC COMPLIANT
BY EXEMPTION

① CABLE ASSY TYPE: MIN-CHANGE 5P MALE EXT. THD.

② 16AWG PUR GRAY

③ FINISHED LENGTH
M005: 0.5 METERS
M010: 1.0 METERS
M100: 10.0 METERS

	P1
BLACK	1
BLUE	2
GREEN/YELLOW	3
BROWN	4
WHITE	5

WIRING DIAGRAM

ITEM	QTY.	DESCRIPTION	MATERIAL	FINISH
6	1	WRAP LABEL	MYLAR	BLACK/YELLOW
5	1	OVERMOLD	PUR	BLACK
4	1	COUPLING RING-EXT THREAD	ZINC DIE-CAST	BLACK
3	5	CONTACT PIN	Cu ALLOY	GOLD PLATED
2	1	INSERT, 5P	PUR	BLACK
1	A/R	CABLE 5/C, 1.5mm ² (16 AWG)	PUR JACKET	GRAY

ADDED PART NO. MATRIX
 EC NO: IPG2016-1424
 /DRWINGGUSTAFSON 2016/04/20
 /CHKD:MZ/EL/INSKI 2016/05/12
 /APPR:BRUPERT 2016/04/28

QUALITY SYMBOLS
 ▽=0
 ▽=0

GENERAL TOLERANCES (UNLESS SPECIFIED)

	mm	INCH
4 PLACES	± ---	± ---
3 PLACES	± ---	± ---
2 PLACES	± ---	± .01
1 PLACE	± 0.3	± ---
0 PLACE	± ---	± ---

ANGULAR ± 2 °

DRAFT WHERE APPLICABLE
MUST REMAIN
WITHIN DIMENSIONS

DIMENSION STYLE
IN/MM

DRAWN BY	DATE
RSTONE	2012/10/19
CHECKED BY	DATE
K JOZWIK	2012/11/26
APPROVED BY	DATE
JFMURPHY	2012/12/18

MATERIAL NO. _____

SCALE 1:1 DESIGN UNITS INCH

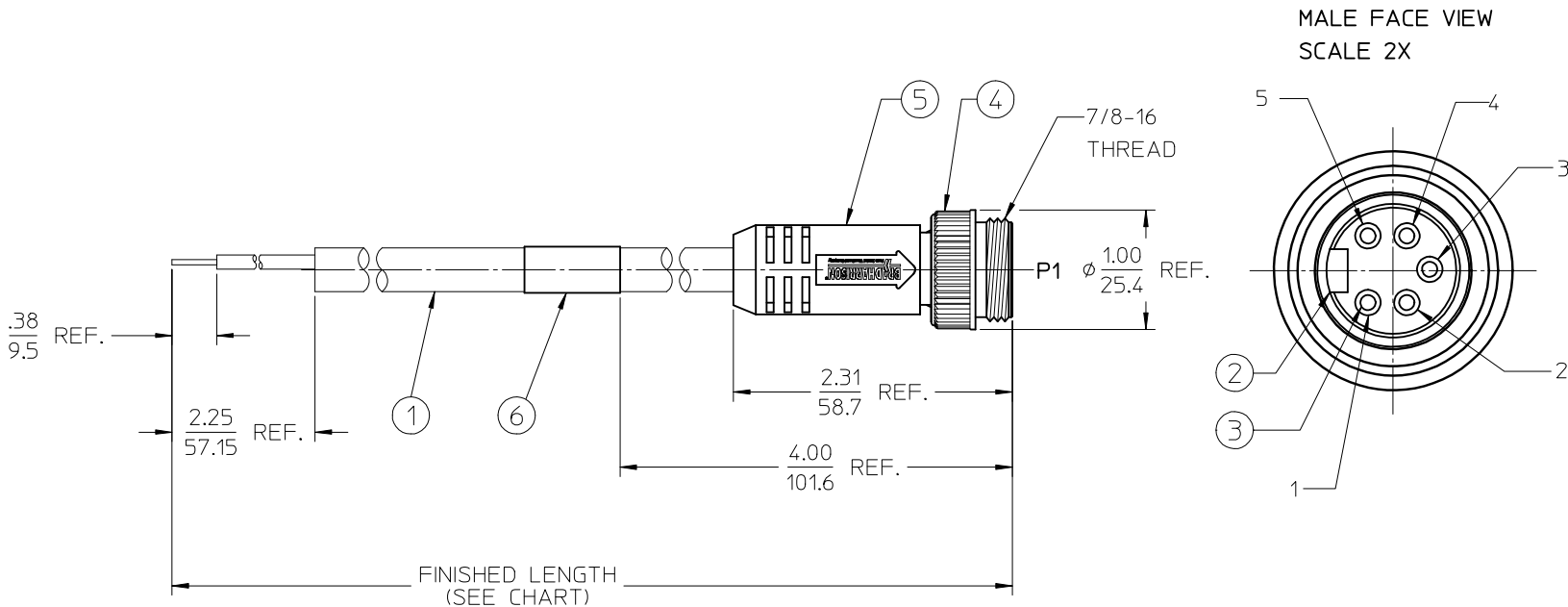
THIRD ANGLE PROJECTION

TITLE
**MINI-CHANGE CABLE ASSY
 5P MP STRAIGHT
 (16 AWG) PUR**

molex

DOCUMENT NO. SD-130006-045 SHEET NO. 1 OF 1

THIS DRAWING CONTAINS INFORMATION THAT IS PROPRIETARY TO MOLEX INCORPORATED AND SHOULD NOT BE USED WITHOUT WRITTEN PERMISSION



- NOTES:
1. MATERIAL: SEE TABLE
 2. FINISHES: SEE TABLE
 3. ELECTRICAL SPECIFICATIONS
VOLTAGE RATING: 300V AC/DC
CURRENT RATING: 8 AMPS
 4. PROTECTION: IP67
 5. ASSEMBLY IS RoHC COMPLIANT
BY EXEMPTION

① CABLE ASSY TYPE: 105006B21MXXX

16AWG PUR GRAY

FINISHED LENGTH
M005: 0.5 METERS
M010: 1.0 METERS
M100: 10.0 METERS

	P1
BLACK	1
BLUE	2
GREEN/YELLOW	3
BROWN	4
WHITE	5

WIRING DIAGRAM

ITEM	QTY.	DESCRIPTION	MATERIAL	FINISH
6	1	WRAP LABEL	MYLAR	BLACK/YELLOW
5	1	OVERMOLD	PUR	BLACK
4	1	COUPLING RING-EXT THREAD	ZINC DIE-CAST	BLACK
3	5	CONTACT PIN	Cu ALLOY	GOLD PLATED
2	1	INSERT, 5P	PUR	BLACK
1	A/R	CABLE 5/C, 1.5mm ² (16 AWG)	PUR JACKET	GRAY

ADDED PART NO. MATRIX
EC NO: IPG2016-1424
DRAWING: GUSTAFSON 2016/04/20
CHKD: HZ/EL/INSKI 2016/05/12
APPR: BRUPERT 2016/04/28

QUALITY SYMBOLS
▽=0
▽=0

GENERAL TOLERANCES (UNLESS SPECIFIED)

	mm	INCH
4 PLACES	± ---	± ---
3 PLACES	± ---	± ---
2 PLACES	± ---	± .01
1 PLACE	± 0.3	± ---
0 PLACE	± ---	± ---

ANGULAR ± 2 °

DRAFT WHERE APPLICABLE
MUST REMAIN
WITHIN DIMENSIONS

DIMENSION STYLE
IN/MM

DRAWN BY	DATE
RSTONE	2012/10/19
CHECKED BY	DATE
K JOZWIK	2012/11/26
APPROVED BY	DATE
JFMURPHY	2012/12/18

MATERIAL NO. _____

SCALE 1:1 DESIGN UNITS INCH THIRD ANGLE PROJECTION

TITLE
MINI-CHANGE CABLE ASSY
5P MP STRAIGHT
(16 AWG) PUR

molex

DOCUMENT NO. SD-130006-045 SHEET NO. 1 OF 1

THIS DRAWING CONTAINS INFORMATION THAT IS PROPRIETARY TO MOLEX INCORPORATED AND SHOULD NOT BE USED WITHOUT WRITTEN PERMISSION