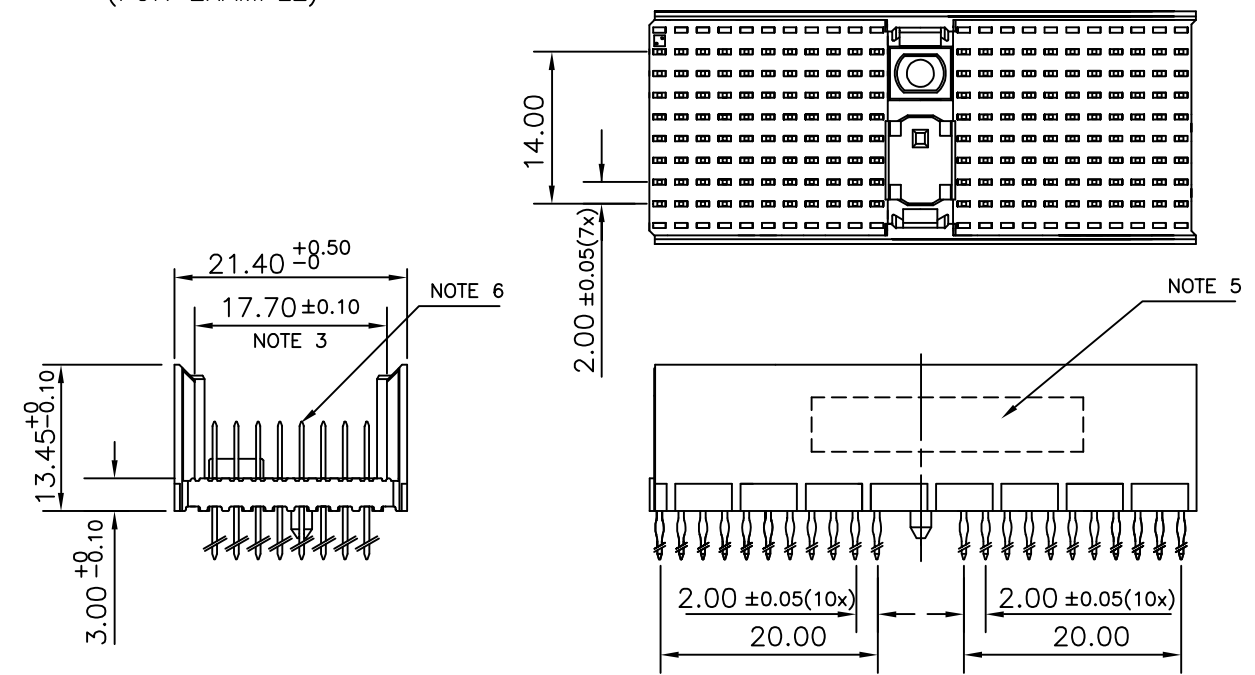


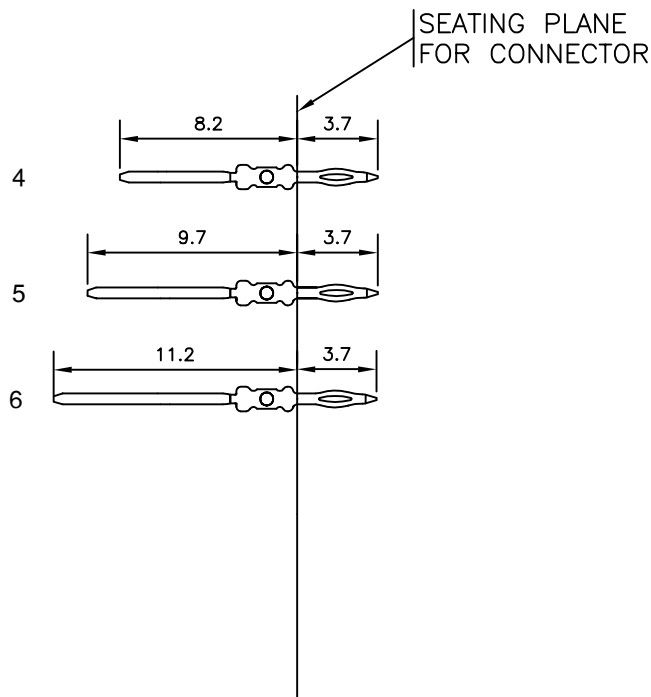
LOADING PATTERN MATING SIDE

y	0	0	0	0	0	0	0	0	0	0					0	0	0	0	0	0	0	0	0	0	0	0	0
h	4	4	4	4	4	4	4	4	4	4					4	4	4	4	4	4	4	4	4	4	4	4	4
g	5	5	5	5	5	5	5	5	5	5					5	5	5	5	5	5	5	5	5	5	5	5	5
f	6	6	6	6	6	6	6	6	6	6					6	6	6	6	6	6	6	6	6	6	6	6	6
e	5	5	5	5	5	5	5	5	5	5					5	5	5	5	5	5	5	5	5	5	5	5	5
d	5	5	5	5	5	5	5	5	5	5					5	5	5	5	5	5	5	5	5	5	5	5	5
c	6	6	6	6	6	6	6	6	6	6					6	6	6	6	6	6	6	6	6	6	6	6	6
b	5	5	5	5	5	5	5	5	5	5					5	5	5	5	5	5	5	5	5	5	5	5	5
a	4	4	4	4	4	4	4	4	4	4					4	4	4	4	4	4	4	4	4	4	4	4	4
z	0	0	0	0	0	0	0	0	0	0					0	0	0	0	0	0	0	0	0	0	0	0	0
P O S	0 1										0 5											1 5					2 5

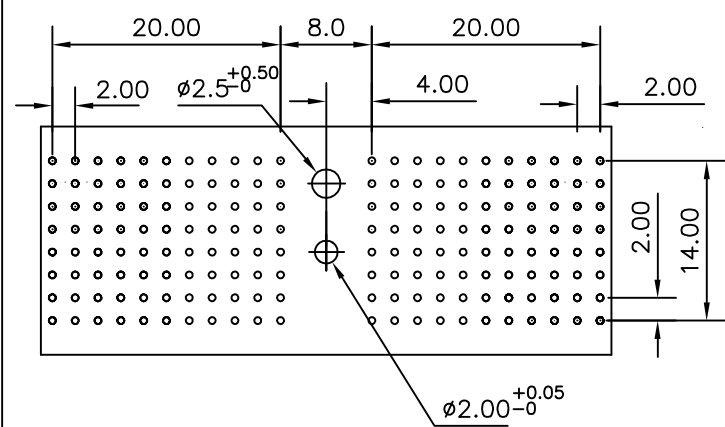
LOADED CONNECTOR ASSEMBLY (FOR EXAMPLE)



CONTACT OVERVIEW



LAY-OUT P.C.B.-HOLE



HM2P87PDH3Y0 **LEAD FREE INDICATOR : LF = LEAD FREE (DIGIT 15 & 16)**
PLATING CODE (DIGIT 13 AND 14)
 (REF DRW NO. BS,C , 201844 , 003)

- NOTES**
1. THIS PRODUCT IS CSA APPROVED.
 2. THIS PRODUCT IS UL RECOGNIZED.
 3. MEASURED AT THE BOTTOM.
 4. MATERIAL CONTACT: PHOSPHORBRONZE
 HOUSING: CREAM WHITE GLASS FILLED POLYESTER UL-94V0
 5. CONNECTOR PRINTED WITH P/N AND DATE CODE.
 6. FOR ACTUAL CONTACT LOADINGS, SEE LOADING PATTERN MATING SIDE.
 7. SHAPE OF CONNECTOR HOUSING CAN ALTER DEPENDING ON PRODUCTION LOCATION
 8. THE PRODUCT (LF) MEETS EUROPEAN UNION DIRECTIVES AND OTHER COUNTRY REGULATIONS AS DESCRIBED IN GS-22-008
 9. FOR RECOMMENDED PTH DIMENSIONS REFER DRAWING : BS, A , 201572 , 001
- PART NO: HM2P87PDH3Y0- - -

mat'l. code		surface		tolerance		projection		product family	
SEE NOTE 4		ISO 1302		ISO 406 ISO 1101				MILLIPACS	
itr		ecn no		date		tolerances unless otherwise specified		title	
A		105-0018		MINI 2005/02/08		angles		MPACS 8+2R STR HDR PF CONN TYPE D	
B		105-0165		MINI 2005/09/21		linear			
C		105-0199		MINI 2005/11/05		0°±1°			
D		106-0099		MINI 2006/07/03		dr		scale -	
				MINI K VANDANATH 2005/02/08		enr		sheet 1 of 1 size 5 BS, C , 203028,208 A3	
				2005/02/08		chr			
				2006/07/03		appd			
				2006/07/03				type Product Customer Drawing	
sheet index		revision sheet		D					
1		1		1					