

# P65 series

Rotary code switches •  
wide temperature range



## DISTINCTIVE FEATURES

- Designed for higher temperature applications
- Solid PCB pins
- Highly reliable
- Abrasion resistant gold-plated contacts



## ENVIRONMENTAL SPECIFICATIONS

- Operating temperature: -60 °C to +125 °C (-76 °F to +257 °F)



## ELECTRICAL SPECIFICATIONS

- Operating voltage : 42 VDC max.
- Contact load, static :  $\leq 0.2$  A
- Contact load, dynamic :  $\leq 0.1$  A.
- Initial contact resistance : 80 m $\Omega$  max.
- Insulation resistance : 100 M $\Omega$  min.



## MECHANICAL SPECIFICATIONS

- Torque (typical): 1.3 Ncm
- Mechanical life : 30,000 steps
- Positions : 4, 6, 10, 16



## MATERIALS

- Base : UL94-V0, high temperature thermoplastic, black
- Cover : UL94-V0, high temperature thermoplastic
- Actuator : PA46 nylon
- Spring : Stainless steel
- Contacts : gold over nickel plated copper alloy
- Terminals : tin plated

The company reserves the right to change specifications without notice.



# P65 series

Rotary code switches



## SOLDERING

- Reflow soldering: 260 °C (500 °F) max. for 10 seconds max.
- Hand soldering : 340 °C (644 °F) max. for 2 seconds max.
- Wave soldering : 280 °C (536 °F) max. for 5 seconds max.



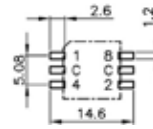
## PACKAGING

- Switches : tubes of 50 pieces or reels of 300 pieces
- Accessories : bags of 50 pieces

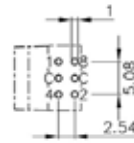


## PCB MOUNTING

SURFACE MOUNT



THROUGH-HOLE



# P65 series

Rotary code switches

## BUILD YOUR PART NUMBER

SERIES	MOUNTING	ACTUATORS	CODES	TERMINALS	PACKAGING
P65	<p><b>THR</b> Through-hole</p> <p><b>SMT</b> Gull wing surface mount</p>	<p><b>1</b> Screwdriver</p> <p><b>7</b> Cross - accessories</p>	<p><b>01</b> BCD</p> <p><b>02</b> BCD complement</p> <p><b>03</b> Hexadecimal</p> <p><b>06</b> Hexadecimal complement</p> <p>Other codes available upon request</p>	<p><b>(blank)</b> Straight</p> <p><b>V</b> Crimped *</p> <p><b>L254</b> Right angle *</p> <p>*THR versions only</p>	<p><b>(blank)</b> Tube</p> <p><b>TR</b> Tape and Reel</p>

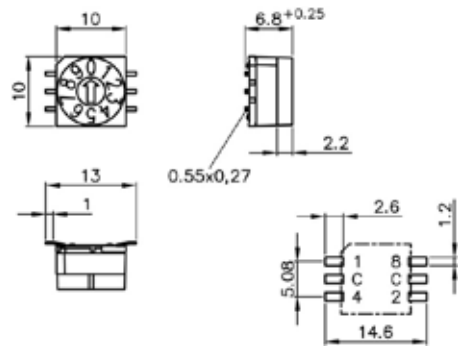
## ABOUT THIS SERIES

On the following pages, you will find successively basic part numbers of switches and options in the same order as in above chart.

### SURFACE MOUNT



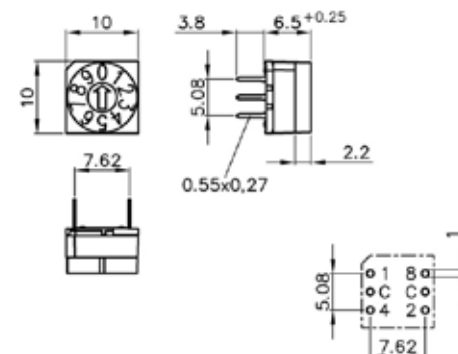
P65SMT



### THROUGH-HOLE



P65THR



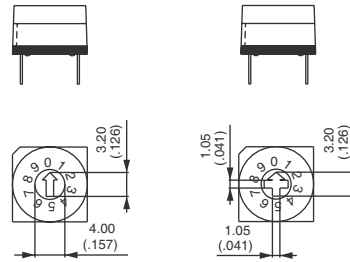
# P65 series

Rotary code switches

## ACTUATORS



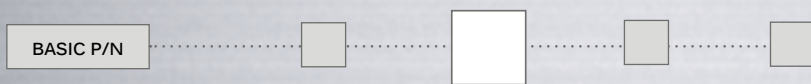
- 1 Screwdriver
- 7 Cross - accessories (see next pages)



1

7

## CODES



- 01 BCD
- 02 BCD complement
- 03 Hexadecimal
- 06 Hexadecimal complement

POSITION	C	1	2	4	8	MARKING
0	●					0
1	●	●				1
2	●		●			2
3	●	●	●			3
4	●			●		4
5	●	●		●		5
6	●		●	●		6
7	●	●	●	●		7
8	●				●	8
9	●	●			●	9

01

POSITION	C	1	2	4	8	MARKING
0	●	●	●	●	●	0
1	●		●	●	●	1
2	●	●		●	●	2
3	●			●	●	3
4	●	●	●		●	4
5	●		●		●	5
6	●	●		●	●	6
7	●				●	7
8	●	●	●	●		8
9	●		●	●		9

02

POSITION	C	1	2	4	8	MARKING
0	●					0
1	●	●				1
2	●		●			2
3	●	●	●			3
4	●			●		4
5	●	●		●		5
6	●		●	●		6
7	●	●	●	●		7
8	●				●	8
9	●	●			●	9
10	●		●		●	A
11	●	●	●		●	B
12	●			●	●	C
13	●	●		●	●	D
14	●		●	●	●	E
15	●	●	●	●	●	F

03

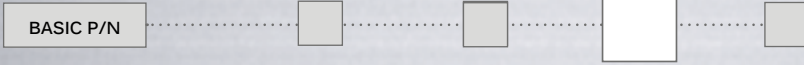
POSITION	C	1	2	4	8	MARKING
0	●	●	●	●	●	0
1	●		●	●	●	1
2	●	●		●	●	2
3	●			●	●	3
4	●	●	●		●	4
5	●		●		●	5
6	●	●			●	6
7	●				●	7
8	●	●	●	●		8
9	●		●	●		9
10	●	●		●		A
11	●		●			B
12	●	●	●			C
13	●		●			D
14	●	●				E
15	●					F

06

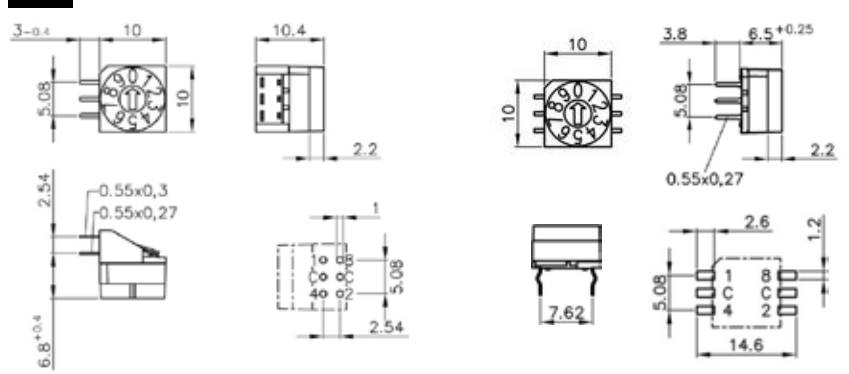
# P65 series

Rotary code switches

## TERMINALS



- (blank) Straight
- V Crimped (THR)
- L254 Right angle (THR)



L254

V

## PACKAGING



- (blank) Straight
- V Crimped (THR)
- L254 Right angle (THR)

# P65 series

Rotary code switches

## ACCESSORIES

To order separately.

### ACCESSORIES ADAPTED TO YOUR APPLICATIONS

Basic model P65 has been designed to accept different actuators with snap-in connection.

According to your application, you can choose between spindles or plastic knobs in two different lengths and a Ø 17 mm (.669) knurled wheel for lateral marking.

Standard colours are shown below. Special colours are also available on request.

		P/N	COLORS	DIMENSIONS
SPINDLES	Length 11.6 mm (standard)	U4822	black	
		U4824	grey	
	Length 13.3 mm	U4832	black	
PLASTIC KNOBS	Length 5.3 mm (standard)	U4906	red	
	Length 15.7 mm	U4916	red	
	Length 4.4 mm	U4941	blue	
		U4943	green	
		U4944	grey	
		U4945	yellow	
U4946	red			
KNURLED WHEEL (unmarked - marking on request)	U4847/1	white/black		