

| | | | | | | | |
|-----|------|-----------|-----|---------------------|------|-----|------|
| LOC | DIST | REVISIONS | | | | | |
| A | 66 | P | LTR | DESCRIPTION | DATE | DWN | APVD |
| | | | C1 | SEE PRODUCT DRAWING | - | - | - |


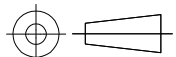
SEE PRODUCTION DRAWING
1852050

THIS DRAWING IS UNPUBLISHED.

ALL INTERNATIONAL RIGHTS RESERVED.

BY TYCO ELECTRONICS CORPORATION.

© COPYRIGHT

| | | | | | | |
|---|------------------|-----------|---|-----------|------------|---------------|
| DIMENSIONS: INCHES | DWN | 13AUG2010 | MATERIAL | - | FINISH | - |
| | CHK | M.YOUNGER |  Tyco Electronics Corporation Harrisburg, PA 17105-3608 | | | |
| TOLERANCES UNLESS OTHERWISE SPECIFIED: | APVD | - | NAME | | | |
| | PRODUCT SPEC | - | SIDE FEED HDM APPLICATOR | | | |
| 0 PLC ± - 1 PLC ± - 2 PLC ± - 3 PLC ± - 4 PLC ± - ANGLES ± - | APPLICATION SPEC | - | SIZE | CAGE CODE | DRAWING NO | RESTRICTED TO |
|  | WEIGHT | - | A4 | 00779 | C-1852050 | - |
| | CUSTOMER DRAWING | | | SCALE | 1:1 | SHEET |
| | | | | | REV | C1 |