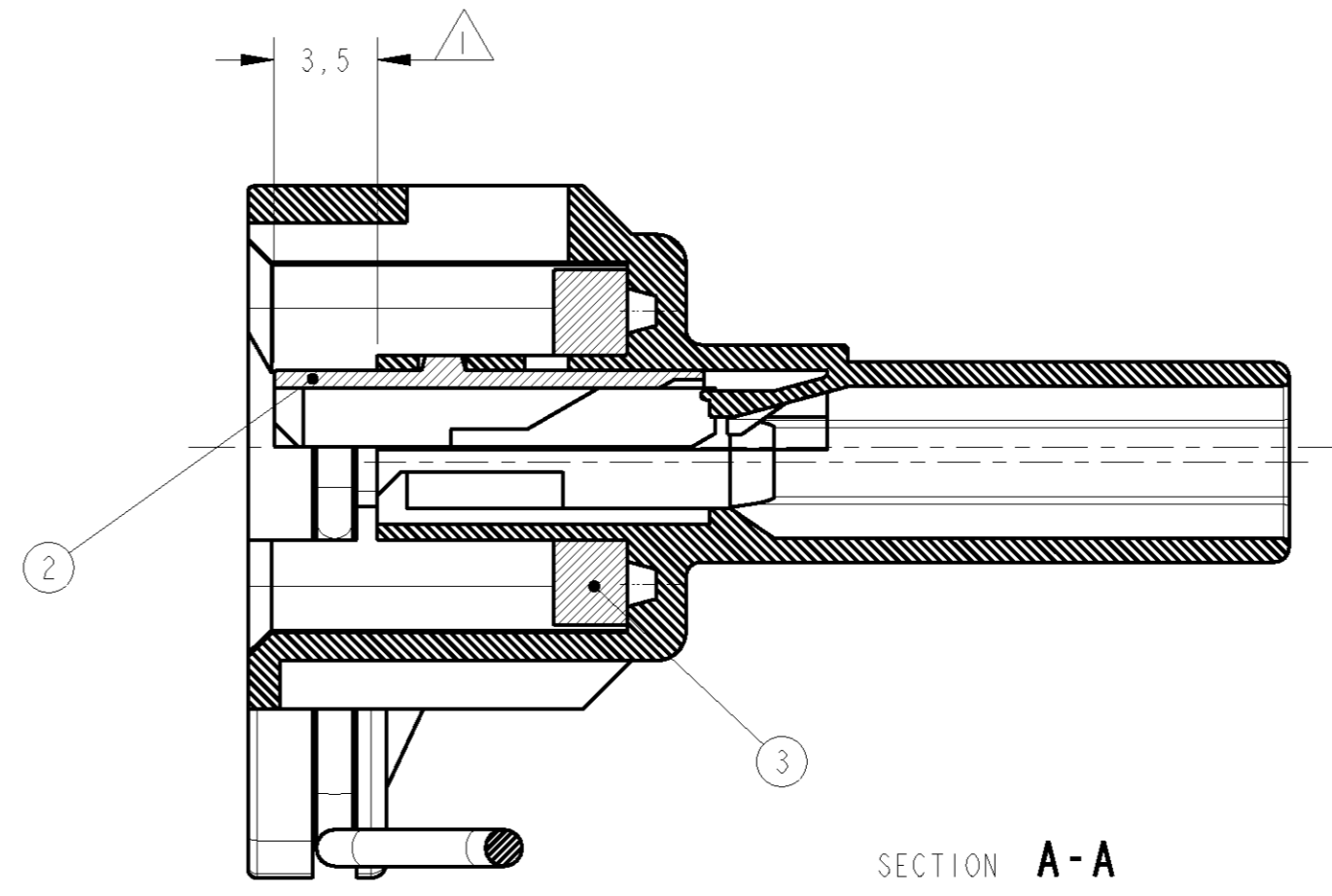
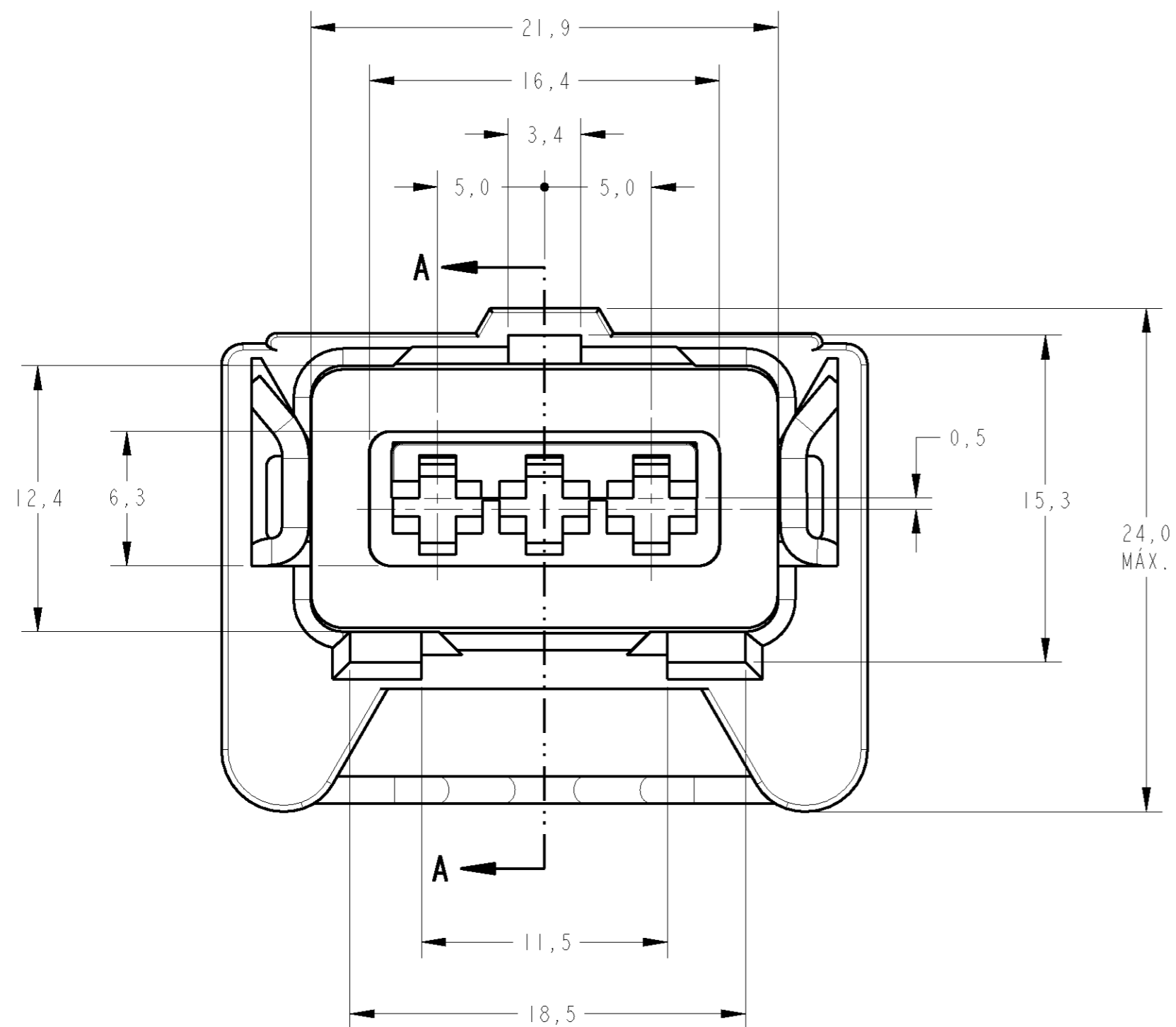
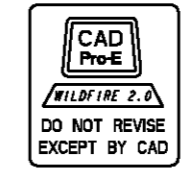
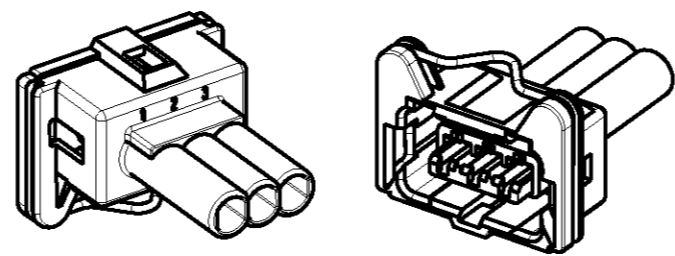
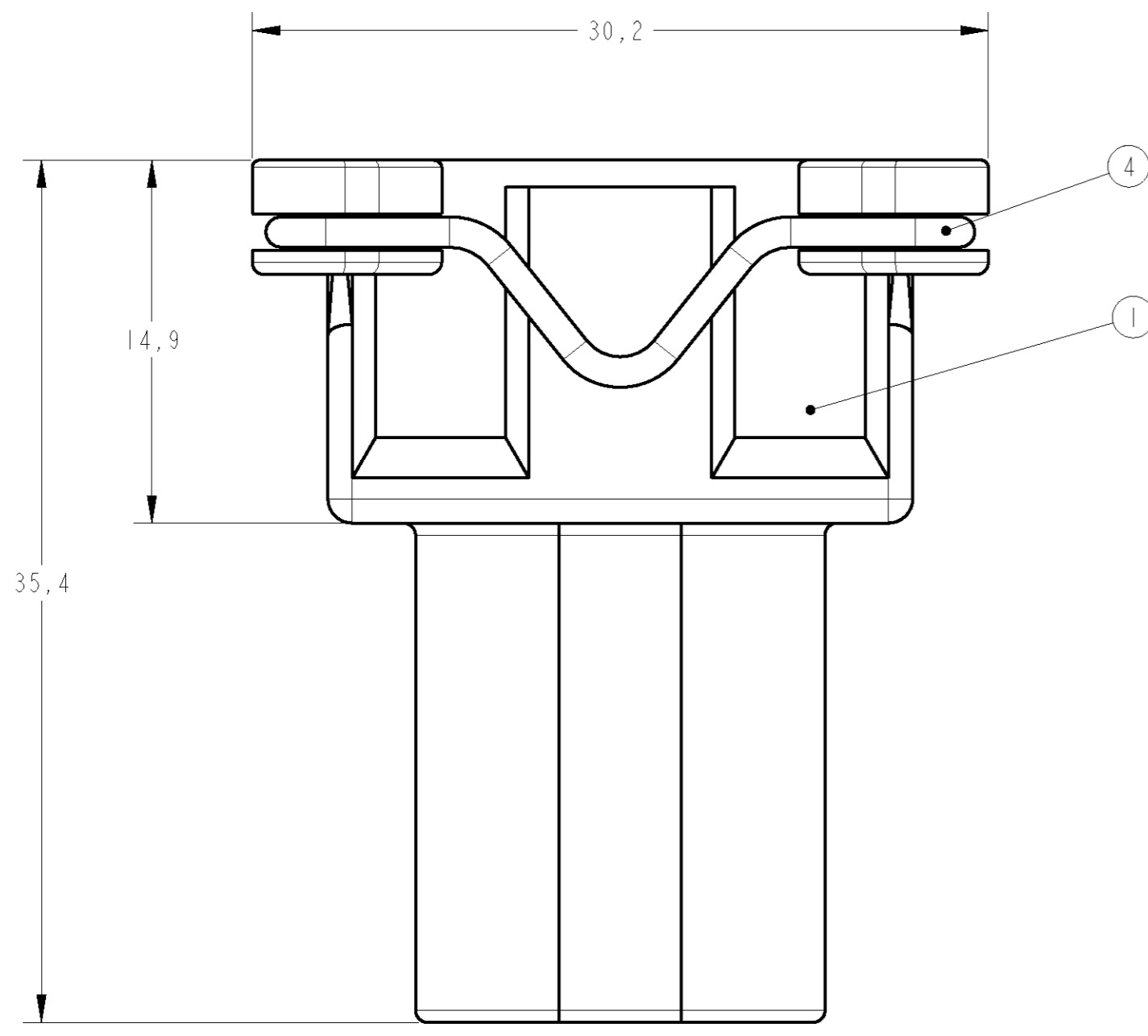


THIS DRAWING IS UNPUBLISHED. RELEASED FOR PUBLICATION 2002
 © COPYRIGHT 1992 BY TYCO ELECTRONICS CORPORATION. ALL RIGHTS RESERVED.

LOC		DIST		REVISIONS			
P	LTR	DESCRIPTION	DATE	DWN	APVD		
AP	-/-						
A1		REVISED BY ECLB0427/01	01MAR2002	AP	PLF		
A2		REVISED BY ECO 07-012278	11JUN2007	EGS	MR		
B		REVISED BY ECO-08-007462	30JUN2008	EGS	PLF		
C		REVISED DRAWING ECO-09-022571	07OCT2009	NCL	SHA		



SECTION A-A



PERSPECTIVE VIEWS
SCALE 1:1

- 1 - OS ITENS 1 E 2 SÃO FORNECIDOS COMO MOSTRADO.
 2 - GRAVAÇÕES QUE DEVEM CONSTAR, CONF. TABELA AO LADO.
 3 - CAVIDADE PARA TERMINAL JUNIOR POWER TIMER COM WIRE SEAL.
- 1 - ITEMS 1 AND 2 ARE SUPPLIED AS SHOWN.
 2 - MARKINGS ACC. BESIDE TABLE.
 3 - CAVITY FOR JUNIOR POWER TIMER WITH WIRE SEAL.

GRAVAÇÃO MARKING
LOGOTIPO TE TE LOGO
CÓDIGO PAÍS PRODUTOR MANUFACTURER COUNTRY CODE
NÚMERO COMPONENTE TE TE COMPONENT NUMBER
NÚMERO CAVIDADE CAVITY NUMBER
IDENTIFICAÇÃO CIRCUITO CIRCUIT IDENTIFICATION

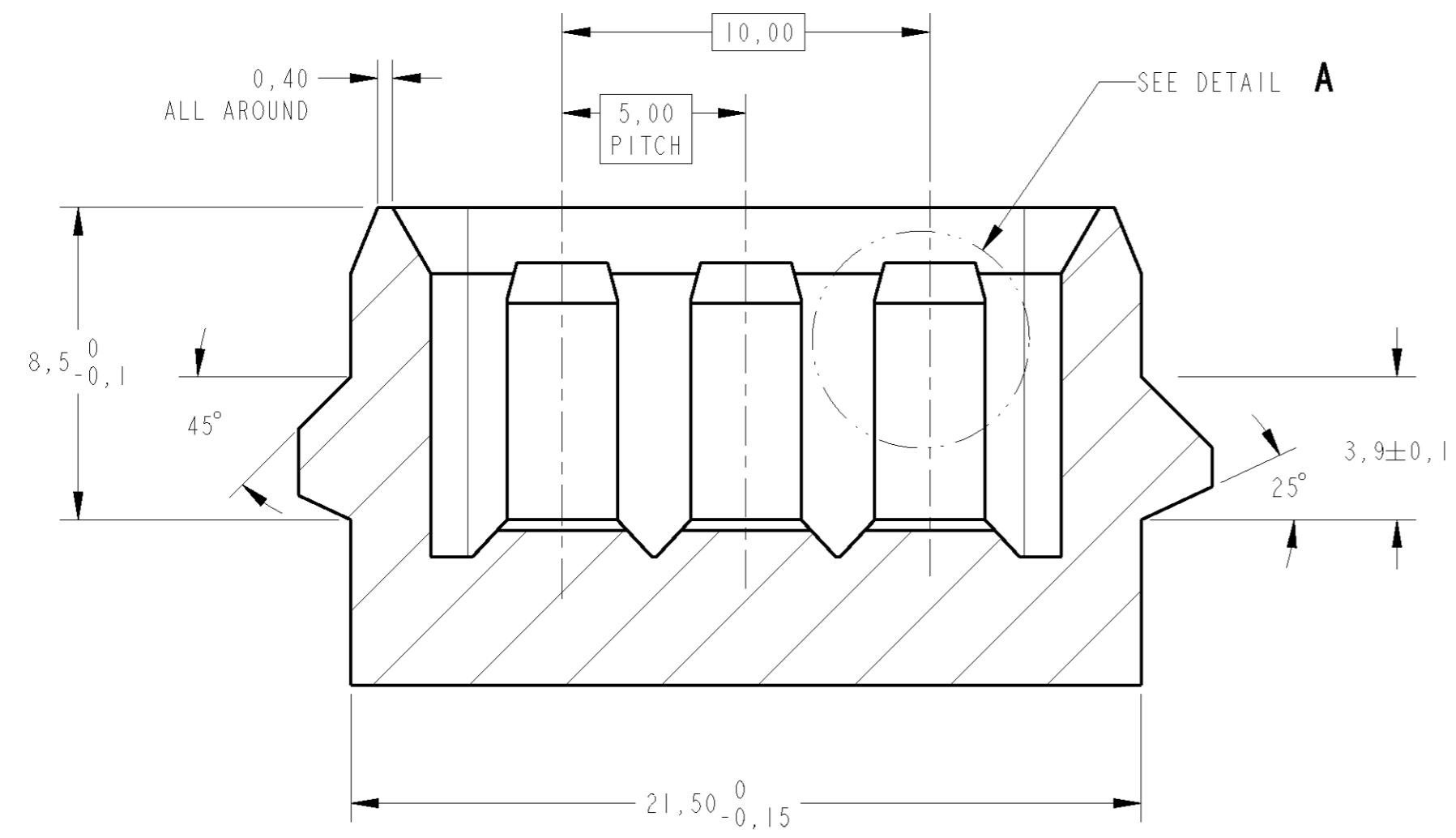
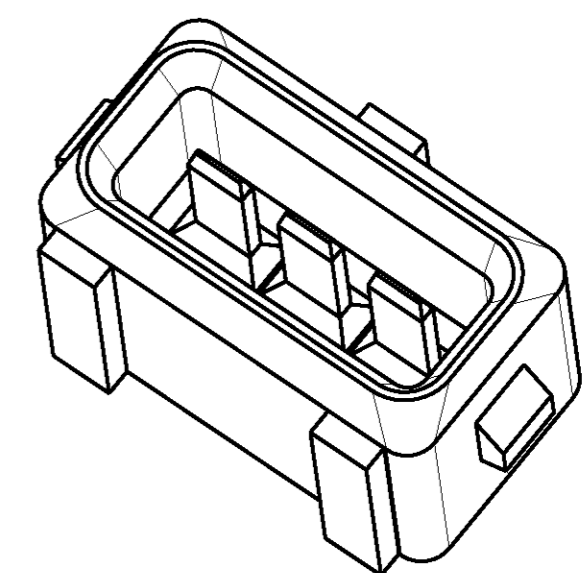
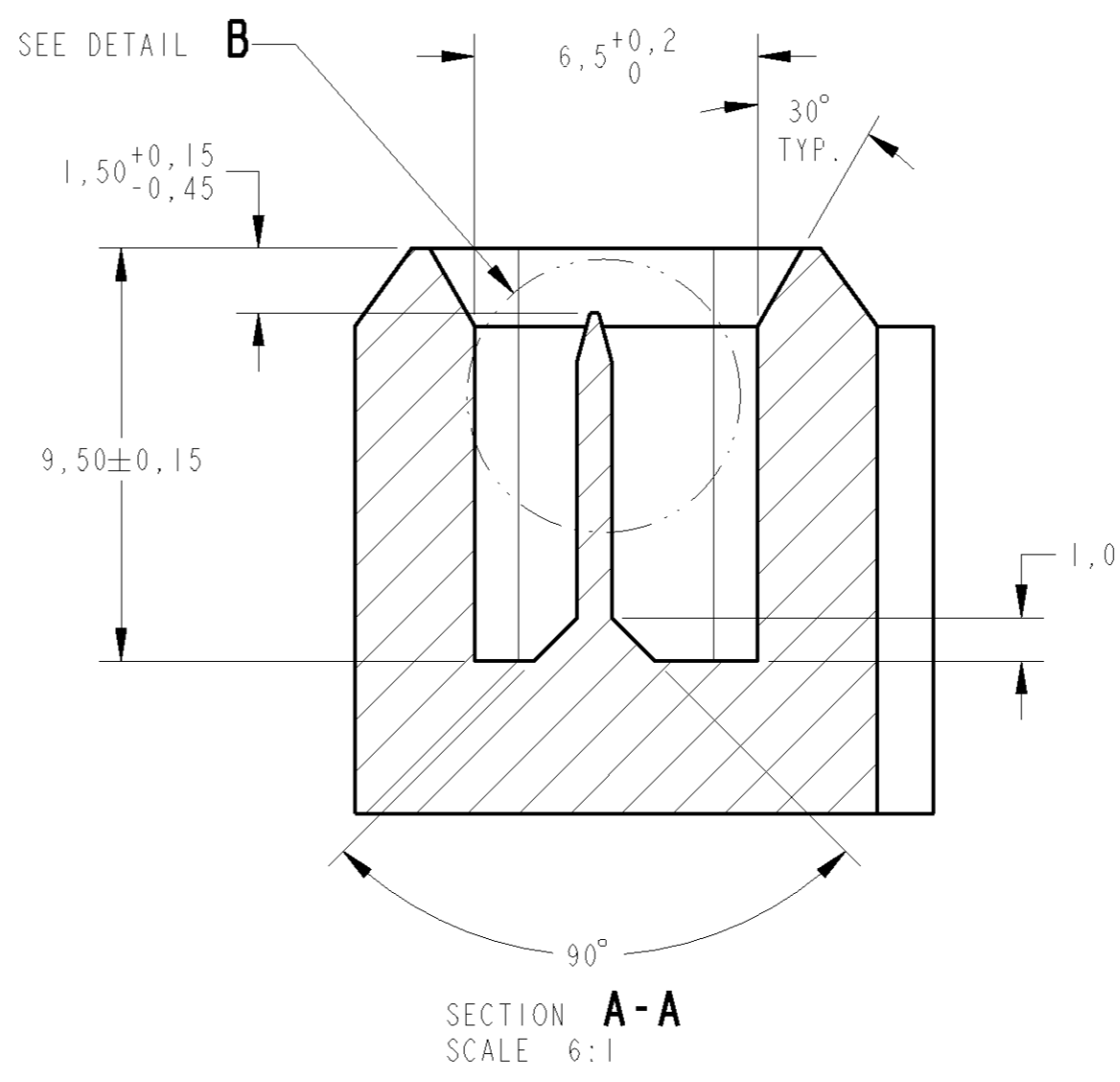
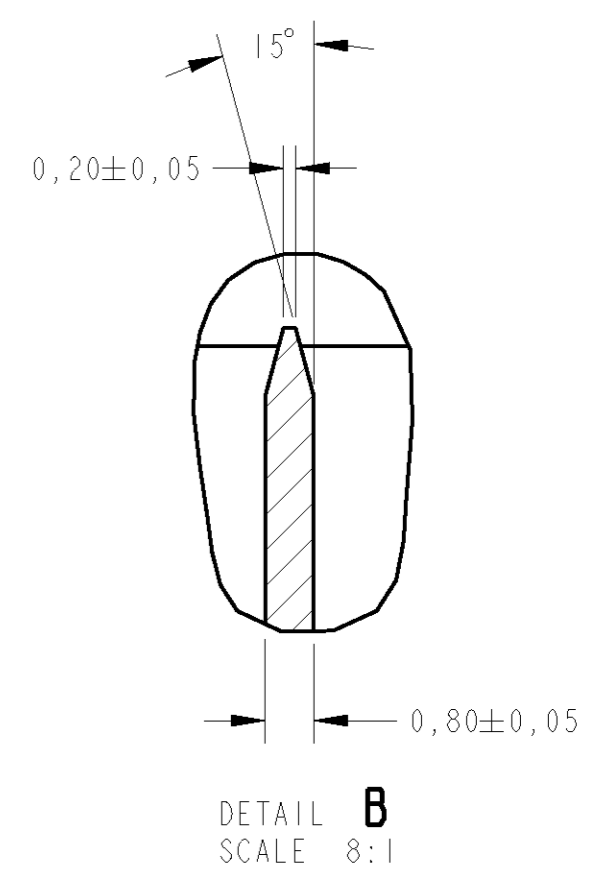
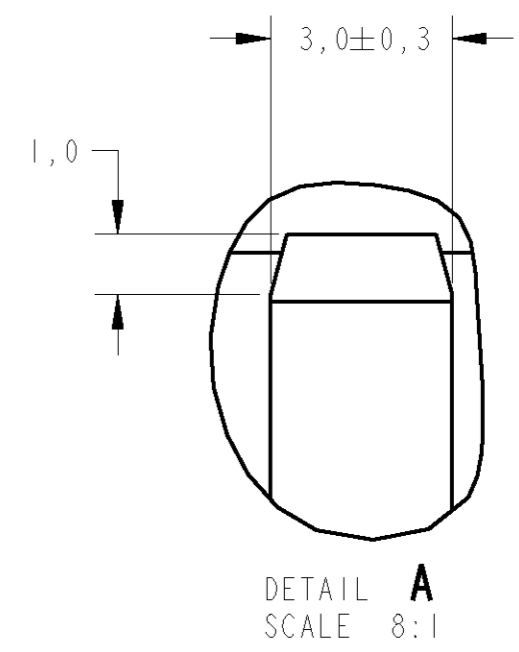
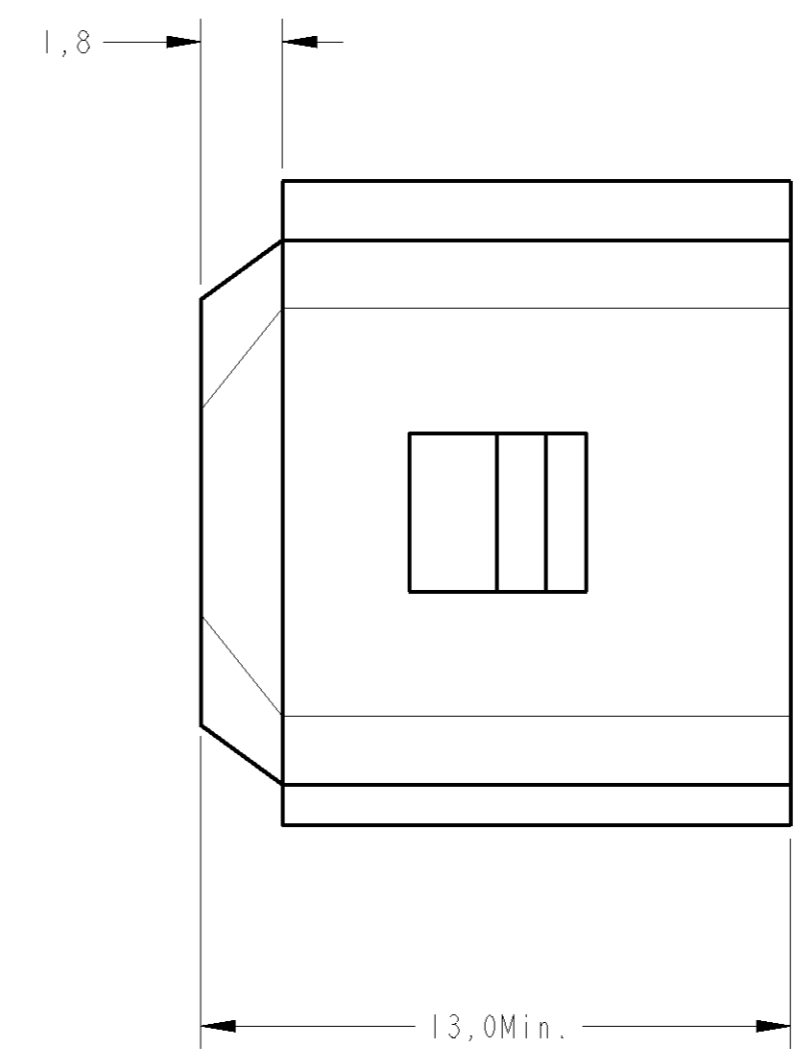
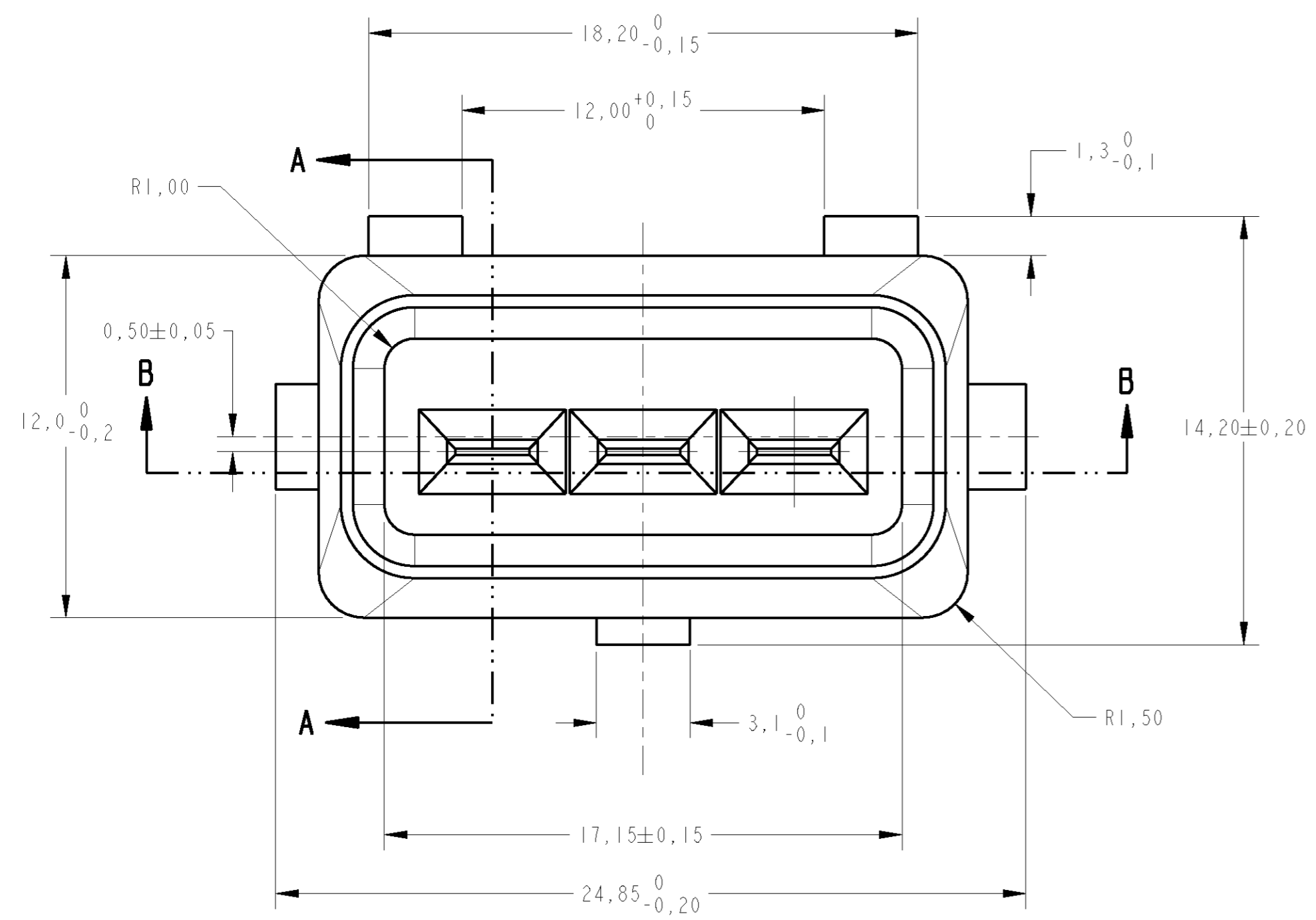
ITEM	DESCRIPTION	MATERIAL	FINISH
4	SPRING 3 POSN., JPT	AÇO INOX / STAINLESS STEEL	— / —
3	RUBBER SEAL	SILICONE	LARANJA / ORANGE
2	SPACER 3 POSN., JPT	PBT	AMARELO / YELLOW
1	HOUSING 3 POSN., JPT	PBT+30% F.V. / G.F.	VERDE / GREEN
1	HOUSING 3 POSN., JPT	PBT+30% F.V. / G.F.	AMARELO / YELLOW
1	HOUSING 3 POSN., JPT	PBT+30% F.V. / G.F.	AZUL / BLUE
1	HOUSING 3 POSN., JPT	PBT+30% F.V. / G.F.	MARROM / BROWN
1	HOUSING 3 POSN., JPT	PBT+30% F.V. / G.F.	CINZA CLARO / LIGHT GRAY
1	HOUSING 3 POSN., JPT	PBT+30% F.V. / G.F.	VERMELHO / RED
1	HOUSING 3 POSN., JPT	PBT+30% F.V. / G.F.	NATURAL
1	HOUSING 3 POSN., JPT	PBT+30% F.V. / G.F.	PRETO / BLACK

REQ. PER ASSY		ITEM		DESCRIPTION		MATERIAL		FINISH	
-9	-8	-7	-6	-5	-4	-3	-2	-1	
444072									
THIS DRAWING IS A CONTROLLED DOCUMENT FOR TYCO ELECTRONICS CORPORATION IT IS SUBJECT TO CHANGE AND THE CONTROLLING ENGINEERING ORGANIZATION SHOULD BE CONTACTED FOR THE LATEST REVISION.				DWN A PERUSSI 01MAR02 CHK P.L.FARIA 01MAR02 APVD D.A. OLIVEIRA 01MAR02		Tyco Electronics TYCO ELECTRONICS do Brasil LTDA. São Paulo, Brasil			
DIMENSIONS: mm 		TOLERANCES UNLESS OTHERWISE SPECIFIED: 0 PLC ± 1 PLC ±0,2 2 PLC ± 3 PLC ± 4 PLC ± ANGLES ±° FINISH SEE TABLE		PRODUCT SPEC - / - APPLICATION SPEC - / - WEIGHT - / -		NAME HOUSING ASS'Y, 3 POSN., JUNIOR POWER TIMER SIZE A2 CAGE CODE 00779 DRAWING NO. C-444072 RESTRICTED TO - / - SCALE 4:1 SHEET 1 OF 2 REV C			
CUSTOMER DRAWING									

444072

THIS DRAWING IS UNPUBLISHED. RELEASED FOR PUBLICATION 2002
 © COPYRIGHT 1992 BY TYCO ELECTRONICS CORPORATION. ALL RIGHTS RESERVED.

LOC		DIST		REVISIONS				
P	LTR	DATE	DWN	APVD	DESCRIPTION			
AP	-/-	-	-	-	SEE SHEET 1			



<small>THIS DRAWING IS A CONTROLLED DOCUMENT FOR TYCO ELECTRONICS CORPORATION. IT IS SUBJECT TO CHANGE AND THE CONTROLLING ENGINEERING ORGANIZATION SHOULD BE CONTACTED FOR THE LATEST REVISION.</small>		DWN: A. PERUSSI 01MAR02 CHK: P. L. FARIA 01MAR02 APVD: D. A. OLIVEIRA 01MAR02	Tyco Electronics TYCO ELECTRONICS do Brasil LTDA. São Paulo, Brasil
DIMENSIONS: mm TOLERANCES UNLESS OTHERWISE SPECIFIED: 0 PLC ± 1 PLC ±0.2 2 PLC ± 3 PLC ± 4 PLC ± ANGLES ±° FINISH SEE TABLE		PRODUCT SPEC: -/- APPLICATION SPEC: -/- WEIGHT: -/-	NAME: HOUSING ASS'Y, 3 POSN., JUNIOR POWER TIMER SIZE: A2 CAGE CODE: 00779 DRAWING NO: C-444072 RESTRICTED TO: -/-
MATERIAL: SEE TABLE		CUSTOMER DRAWING	
		SCALE: 4:1	SHEET 2 OF 2 REV C