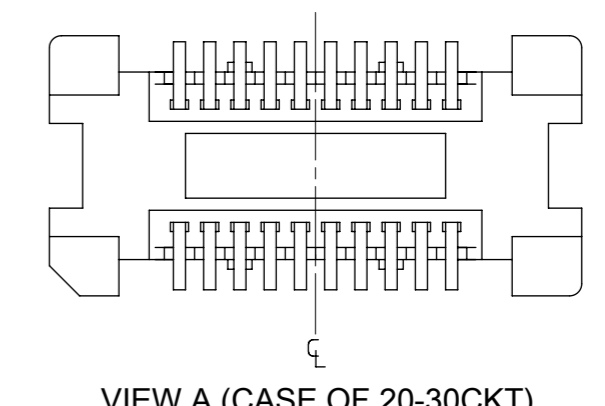


参考基板レイアウト (マウント面)
P.C. BOARD PATTERN
DIMENSION. (REF.)
(MOUNTING AREA)

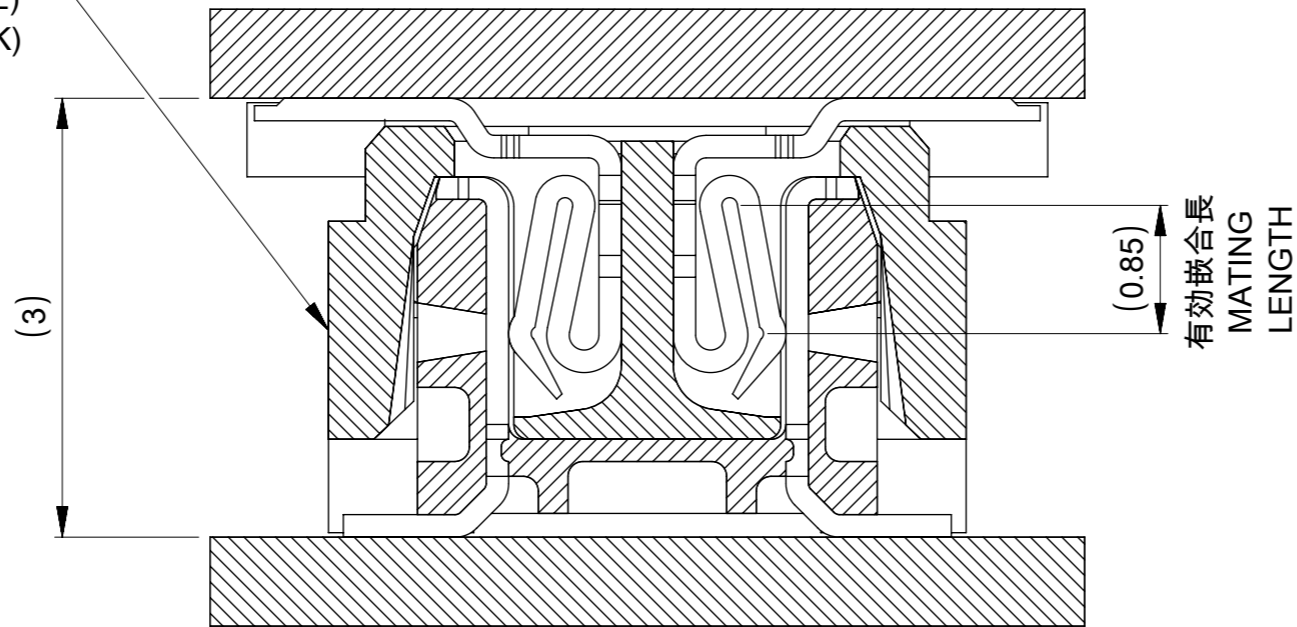


- 注記 NOTES:
1. 使用材料 MATERIAL
ハウジング : LCPガラス入り (白), UL94V-0
HOUSING : LCP(G.F.)(COLOR:WHITE), UL94V0
ターミナル : 黄銅 (t=0.15)
TERMINAL: BRASS (t=0.15)
 2. メッキ仕様 PLATING
全体仕上げ : 金メッキ 0.1 MICROMETER MIN.
ALL OVER : GOLD 0.1 MICROMETER MIN.
下地メッキ : ニッケルメッキ 1.5 MICROMETER MIN.
UNDER PLATING : NICKEL 1.5 MICROMETER MIN.
 3. 基準面 X からのソルダーテールの半田付け面のズレ量は、上方向 0 下方向 0.15MAX. とする。
MISALIGNMENT OF SOLDER TAIL FROM X
△ (全極数/2) = 偶数の場合に適用。
APPLY FOR (CIRCUIT/2)=EVEN.
 5. 嵌合相手 : 52991シリーズ (嵌合高さ = 3mm)、54167シリーズ (嵌合高さ = 3mm)
MATE WITH: 52991 SERIES (HEIGHT = 3mm), AND 54167 SERIES (HEIGHT = 3mm)
 6. テール平坦度は、0.1MAX.
TAIL COPLANARITY TO BE 0.1MAX.
 7. ELV及びRoHS適合品
ELV AND RoHS COMPLIANT

23.8	20.24	19.5	53748-0808	80
21.3	17.74	17	53748-0708	70
18.8	15.24	14.5	53748-0608	60
16.3	12.74	12	53748-0508	50
13.8	10.24	9.5	53748-0408	40
11.3	7.74	7	53748-0308	30
8.8	5.24	4.5	53748-0208	20
C	B	A	EMBOSSED TAPE	極数
			ORDER NO.	CIRCUIT
CONNECTOR SERIES NO.			53748-***0	

THIS DRAWING CONTAINS INFORMATION THAT IS PROPRIETARY TO MOLEX ELECTRONIC TECHNOLOGIES, LLC AND SHOULD NOT BE USED WITHOUT WRITTEN PERMISSION		CURRENT REV DESC:		molex	
DIMENSION UNITS	SCALE				
mm	8:1			0.5 MM PITCH B-TO-B CONN. HEIGHT = 3 PLUG	
GENERAL TOLERANCES (UNLESS SPECIFIED)		ANGULAR TOL ± 30°		EC NO: 739518	
4 PLACES ± 0.2		3 PLACES ± 0.25		DRWN: TNAKAGAWA01 2023/02/21	
10 ^{UNDER} ± 0.2		2 PLACES ± 0.3		CHK'D: SMARUYAMA 2023/06/02	
10 ^{OVER} ± 0.25		1 PLACE ±		APPR: YNAITO 2023/06/02	
30 ^{OVER} ± 0.3		0 PLACES ±		INITIAL REVISION:	
ANGULAR ± 3°		THIRD ANGLE PROJECTION		DRWN: NAKAMURAA 2008/12/08	
DRAFT WHERE APPLICABLE MUST REMAIN WITHIN DIMENSIONS		DRAWING		APPR: NUKITA 2009/01/09	
		SERIES		DOCUMENT NUMBER	
		A3-SIZE		SD-53748-002	
		53748		DOC TYPE DOC PART REVISION	
		SEE TABLE		PSD 001 F	
		GENERAL		SHEET NUMBER	
		1 OF 2			

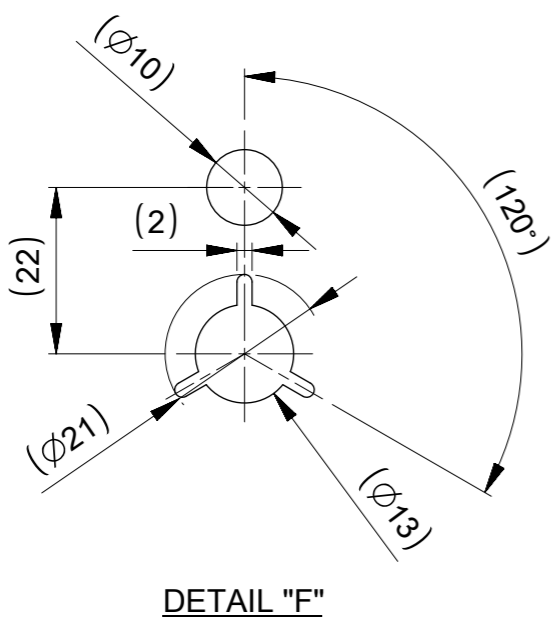
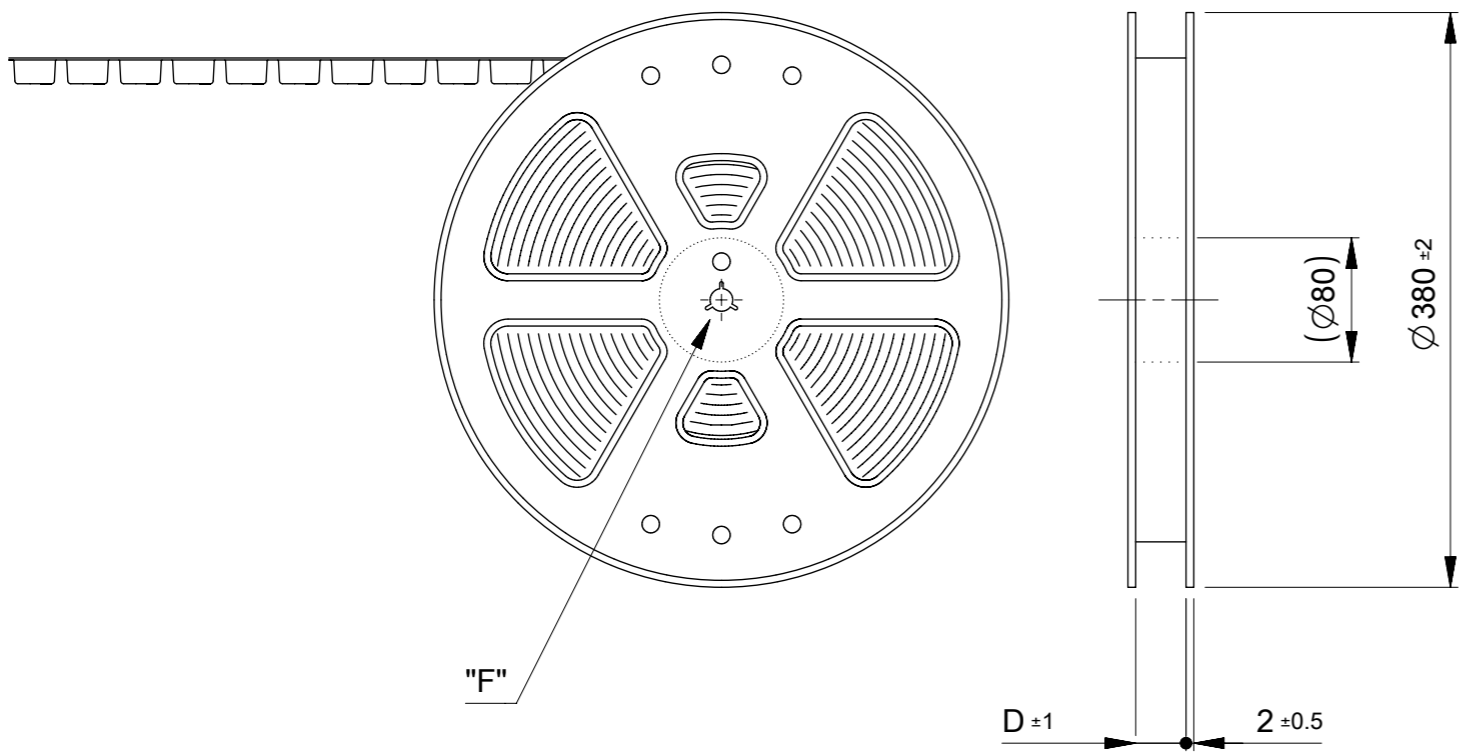
嵌合相手 MATE WITH
 52991-***8 (白 WHITE)
 52991-***2 (白 WHITE)
 54167-***8 (黒 BLACK)



嵌合断面図 (参考)
 MATED DRAWING (REF.)

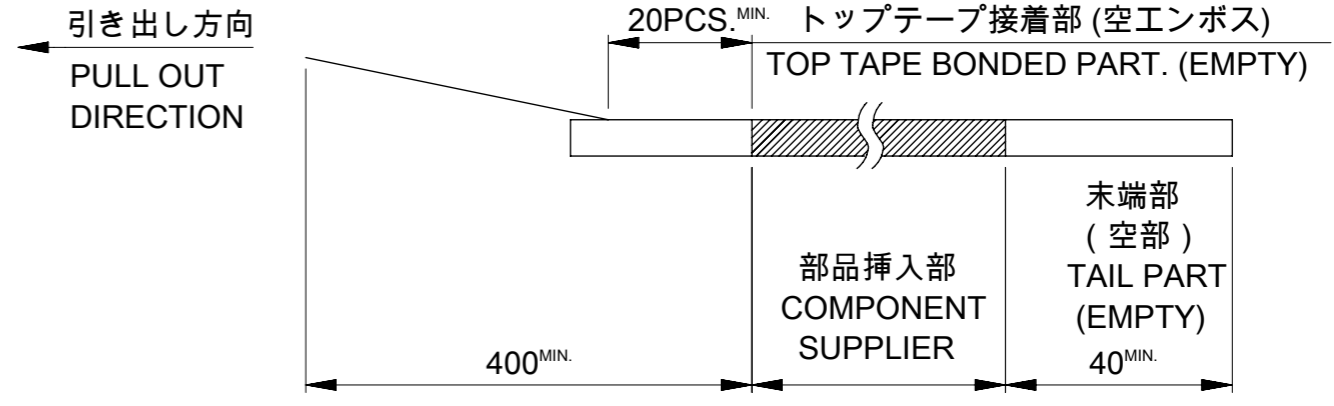
THIS DRAWING CONTAINS INFORMATION THAT IS PROPRIETARY TO MOLEX ELECTRONIC TECHNOLOGIES, LLC AND SHOULD NOT BE USED WITHOUT WRITTEN PERMISSION													
DIMENSION UNITS		SCALE		CURRENT REV DESC:									
mm		20:1											
GENERAL TOLERANCES (UNLESS SPECIFIED)				GENERAL TOLERANCES (UNLESS SPECIFIED)				EC NO: 739518					
ANGULAR TOL ± 30°				ANGULAR TOL ± 30°				DRWN: TNAKAGAWA01 2023/02/21					
4 PLACES ± 0.2				4 PLACES ± 0.2				CHK'D: SMARUYAMA 2023/06/02					
3 PLACES ± 0.25				3 PLACES ± 0.25				APPR: YNAITO 2023/06/02					
2 PLACES ± 0.3				2 PLACES ± 0.3				INITIAL REVISION:					
1 PLACE ±				1 PLACE ±				DRWN: NAKAMURAA 2008/12/08					
0 PLACES ±				0 PLACES ±				APPR: NUKITA 2009/01/09					
GENERAL TOLERANCES (UNLESS SPECIFIED)				GENERAL TOLERANCES (UNLESS SPECIFIED)				DOCUMENT NUMBER		DOC TYPE		DOC PART	
10 ^{UNDER}		±0.2		3 PLACES ± 0.25		SD-53748-002		PSD		001			
10 ^{OVER} 30 ^{UNDER}		±0.25		2 PLACES ± 0.3		SEE SHEET 1		GENERAL		F			
30 ^{OVER}		±0.3		1 PLACE ±		MATERIAL NUMBER		CUSTOMER		SHEET NUMBER			
ANGULAR±3°		0 PLACES ±		0 PLACES ±		53748		GENERAL		2 OF 2			
DRAFT WHERE APPLICABLE MUST REMAIN WITHIN DIMENSIONS				DRAFT WHERE APPLICABLE MUST REMAIN WITHIN DIMENSIONS				THIRD ANGLE PROJECTION		DRAWING		SERIES	
								A3-SIZE		53748			

引き出し方向
PULL OUT
DIRECTION

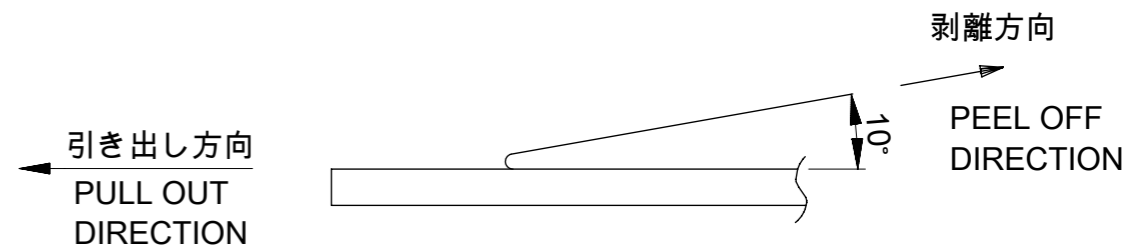


NOTES

- 製品詳細寸法については図面 SD-53748-002を参照下さい。
DETAIL DIMENSION, SEE SD-53748-002
- 梱包数量 : 3000個 / リール
NUMBER OF CONNECTORS : 3000PCS/REEL
- リードテープ長さ LEAD TAPE LENGTH



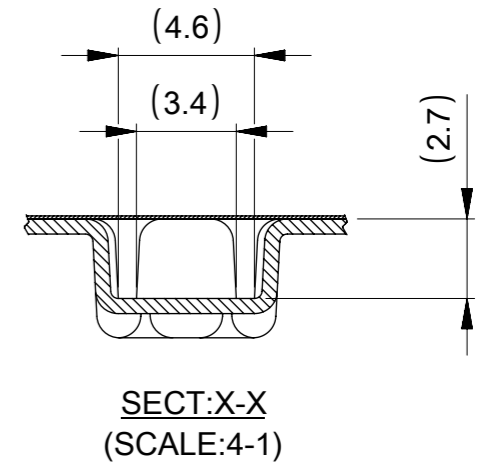
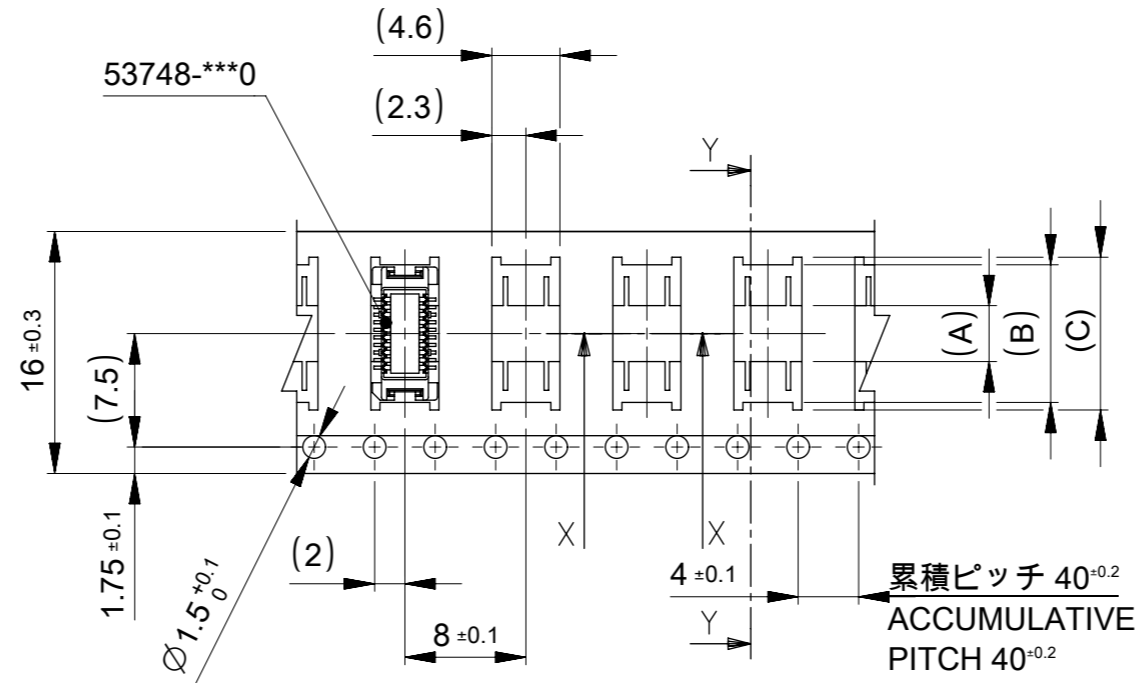
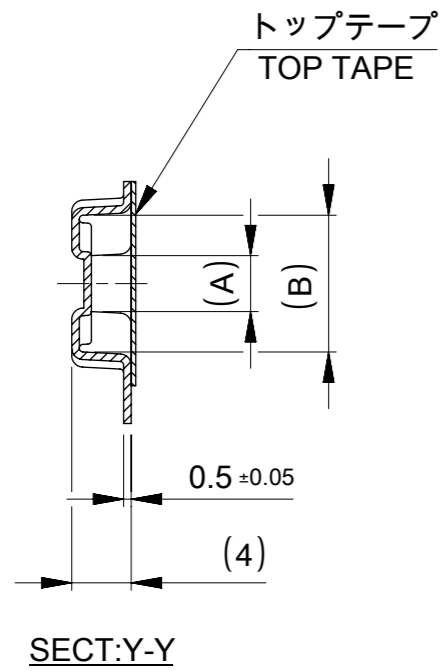
- トップテープの剥離強度 : 0.1N ~ 0.7N(10.2gf ~ 71.4gf)
(剥離方向は下図参照)
尚、本規格値は出荷時に適用。(但し、輸送時に剥離が発生しないこと。)
PEELING OFF FORCE OF TOP TAPE: 0.1N ~ 0.7N(10.2gf ~ 71.4gf)
(PEELING DIRECTION AS SHOWN IN FOLLOWING FIG.)
THIS REQUIREMENT SHOULD BE APPLIED AT SHIPMENT.
PEEL OFF SHOULD NOT BE ALLOWED, DURING TRANSPORTATION.



- 材料 (MATERIAL)
キャリアテープ (CARRIER TAPE) : ポリプロピレン (POLYPROPYLENE)
トップテープ (TOPTAPE) : PET , PE , PEF
リール(REEL) : ポリスチレン (PS) <リサイクル材を含む>
POLYSTYREN(PS) <RECYCLE MATERIAL CONTANED>

THIS DRAWING CONTAINS INFORMATION THAT IS PROPRIETARY TO MOLEX ELECTRONIC TECHNOLOGIES, LLC AND SHOULD NOT BE USED WITHOUT WRITTEN PERMISSION		CURRENT REV DESC:		molex	
DIMENSION UNITS	SCALE				
mm	NTS			0.5 MM PITCH B-TO-B CONN. HEIGHT = 3 PLUG EMBOSS TAPE PACKAGE	
GENERAL TOLERANCES (UNLESS SPECIFIED)		GENERAL TOLERANCES (UNLESS SPECIFIED)		PRODUCT CUSTOMER DRAWING	
ANGULAR TOL ± 30°		ANGULAR TOL ± 30°		DOCUMENT NUMBER	
4 PLACES ± 0.2		4 PLACES ± 0.2		SD-53748-005	
3 PLACES ± 0.25		3 PLACES ± 0.25		DOC TYPE	
2 PLACES ± 0.3		2 PLACES ± 0.3		PSD	
1 PLACE ±		1 PLACE ±		DOC PART	
0 PLACES ±		0 PLACES ±		001	
ANGULAR+3°		ANGULAR+3°		REVISION	
DRAFT WHERE APPLICABLE MUST REMAIN WITHIN DIMENSIONS		DRAFT WHERE APPLICABLE MUST REMAIN WITHIN DIMENSIONS		F	
THIRD ANGLE PROJECTION		DRAWING		SHEET NUMBER	
A3-SIZE		SERIES		1 OF 5	
53748		MATERIAL NUMBER		CUSTOMER	
SEE SHEET 2-5		GENERAL			

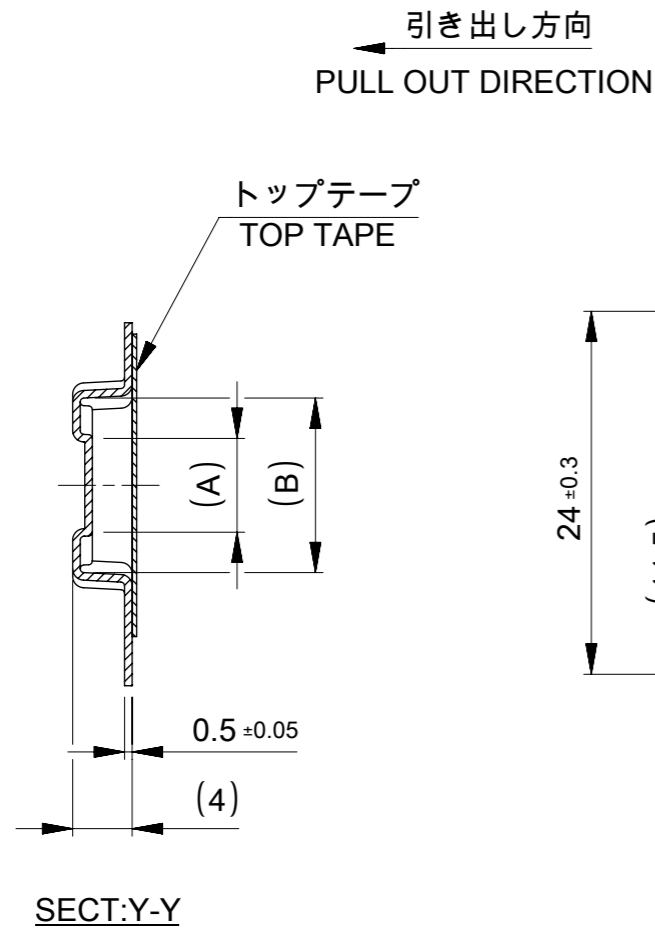
引き出し方向
PULL OUT DIRECTION



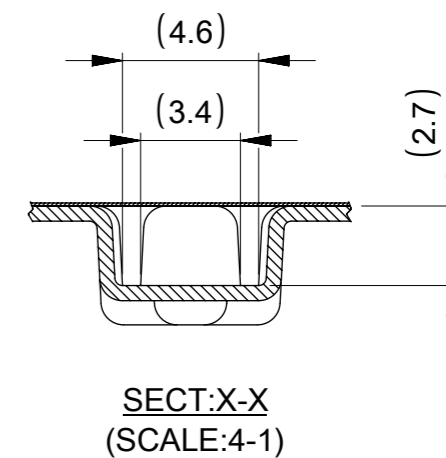
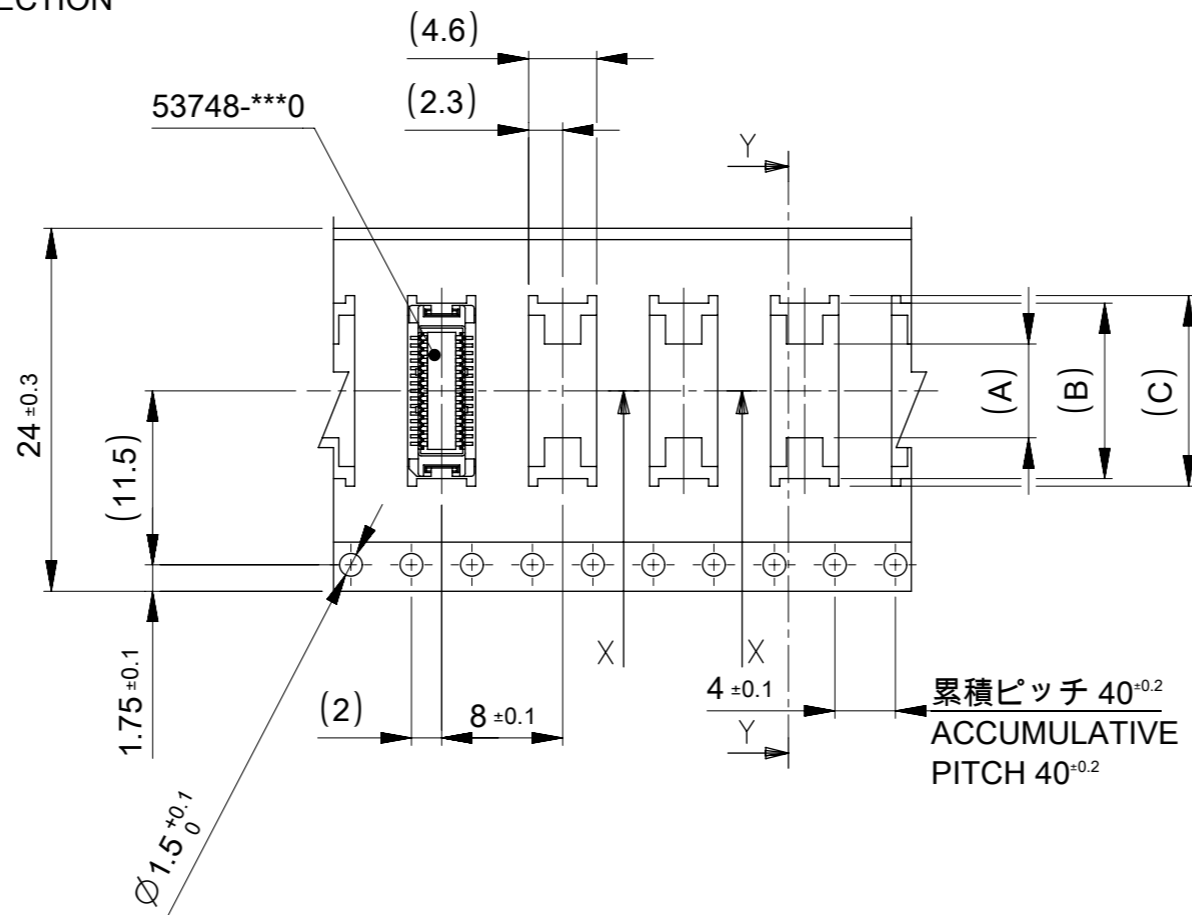
16mm 幅キャリアテープ
16mm WIDTH CARRIER TAPE

16	17.5	10.1	9.1	3.7	53748-0208	20
キャリアテープ幅 CARRIER TAPE WIDTH		D	(C)	(B)	(A)	MATERIAL NO. 極数 CKT.

THIS DRAWING CONTAINS INFORMATION THAT IS PROPRIETARY TO MOLEX ELECTRONIC TECHNOLOGIES, LLC AND SHOULD NOT BE USED WITHOUT WRITTEN PERMISSION		CURRENT REV DESC:		molex			
DIMENSION UNITS	SCALE	EC NO: 739518					
mm	NTS	DRWN: TNAKAGAWA01		PRODUCT CUSTOMER DRAWING			
GENERAL TOLERANCES (UNLESS SPECIFIED)		CHK'D: SMARUYAMA		DOCUMENT NUMBER			
ANGULAR TOL ± 30°		APPR: YNAITO		SD-53748-005		DOC TYPE	DOC PART
4 PLACES ± 0.2		INITIAL REVISION:		2008/12/08		PSD	001
3 PLACES ± 0.25		DRWN: NAKAMURAA		2009/01/09		REVISION	
2 PLACES ± 0.3		APPR: NUKITA		SERIES		F	
1 PLACE ±		THIRD ANGLE PROJECTION		A3-SIZE		SHEET NUMBER	
0 PLACES ±		DRAWING		53748		2 OF 5	
DRAFT WHERE APPLICABLE MUST REMAIN WITHIN DIMENSIONS		DRAWING		MATERIAL NUMBER		CUSTOMER	
		A3-SIZE		SEE TABLE		GENERAL	



引き出し方向
PULL OUT DIRECTION

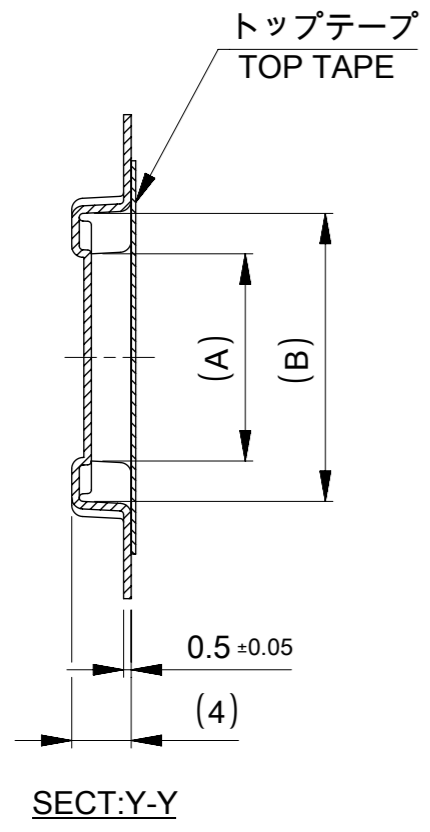
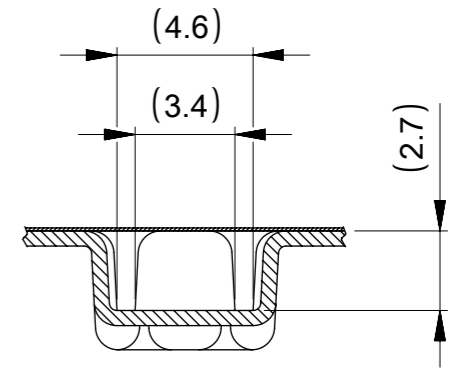
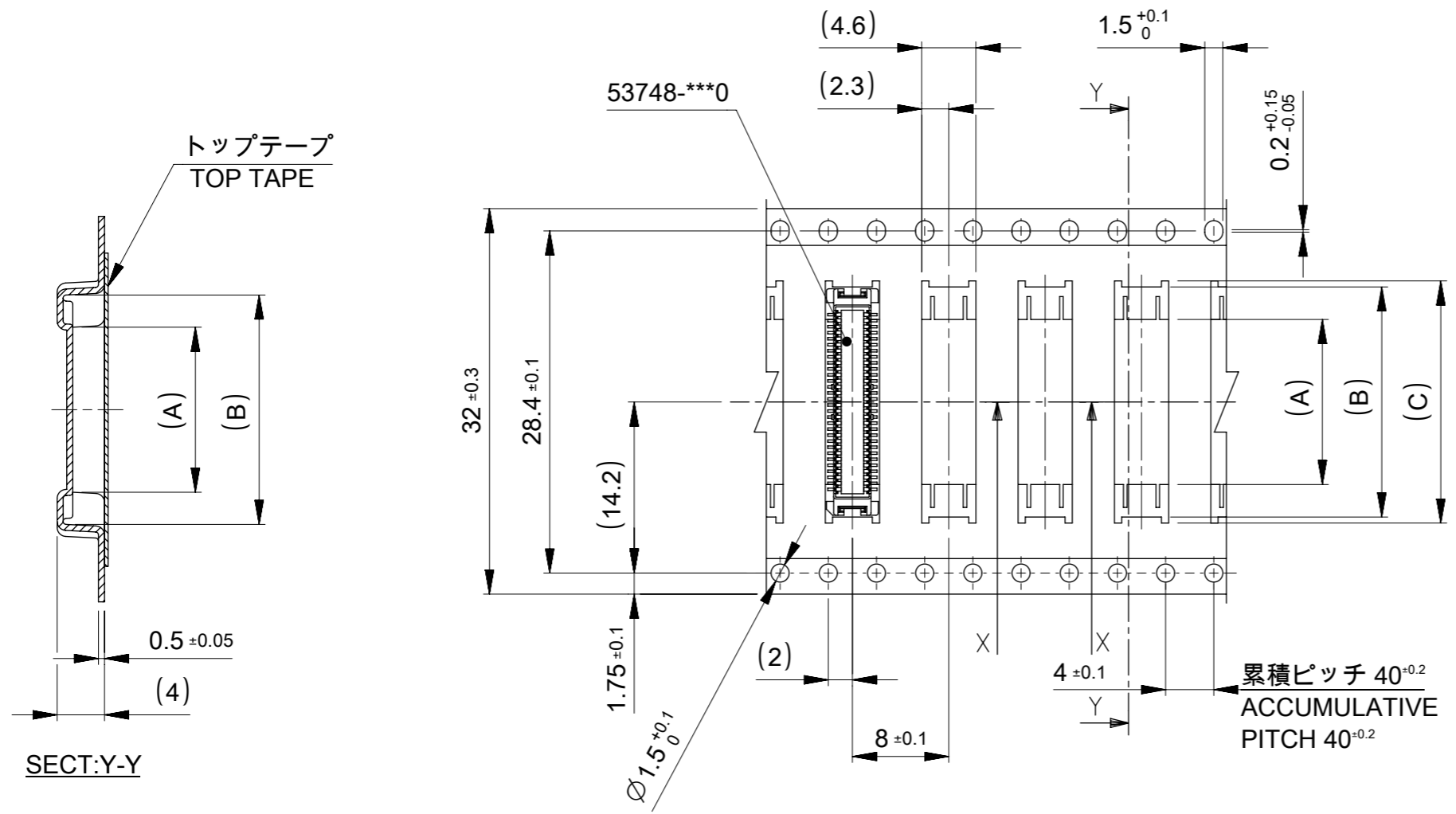


24mm 幅キャリアテープ
24mm WIDTH CARRIER TAPE

24	25.5	15.1	14.1	7.4	53748-0408	40
		12.6	11.6	4.9	53748-0308	30
キャリアテープ幅 CARRIER TAPE WIDTH		D	(C)	(B)	(A)	MATERIAL NO. 極数 CKT.

THIS DRAWING CONTAINS INFORMATION THAT IS PROPRIETARY TO MOLEX ELECTRONIC TECHNOLOGIES, LLC AND SHOULD NOT BE USED WITHOUT WRITTEN PERMISSION		CURRENT REV DESC:		molex		
DIMENSION UNITS	SCALE	EC NO: 739518				
mm	NTS	DRWN: TNAKAGAWA01		PRODUCT CUSTOMER DRAWING		
GENERAL TOLERANCES (UNLESS SPECIFIED)		CHK'D: SMARUYAMA		DOCUMENT NUMBER		
ANGULAR TOL ± 30°		APPR: YNAITO		SD-53748-005		
4 PLACES ± 0.2		INITIAL REVISION:		DOC TYPE		
3 PLACES ± 0.25		DRWN: NAKAMURAA		PSD		
2 PLACES ± 0.3		APPR: NUKITA		DOC PART		
1 PLACE ±		2008/12/08		001		
0 PLACES ±		2009/01/09		F		
DRAFT WHERE APPLICABLE MUST REMAIN WITHIN DIMENSIONS		THIRD ANGLE PROJECTION	DRAWING	SERIES	MATERIAL NUMBER	CUSTOMER
DRAFT WHERE APPLICABLE MUST REMAIN WITHIN DIMENSIONS			A3-SIZE	53748	SEE TABLE	GENERAL
						SHEET NUMBER
						3 OF 5

引き出し方向
PULL OUT DIRECTION



32mm 幅キャリアテープ
32mm WIDTH CARRIER TAPE

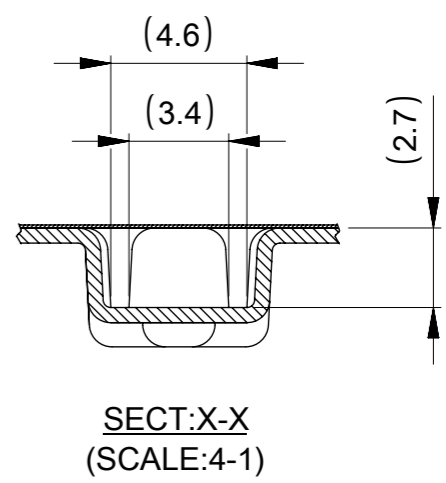
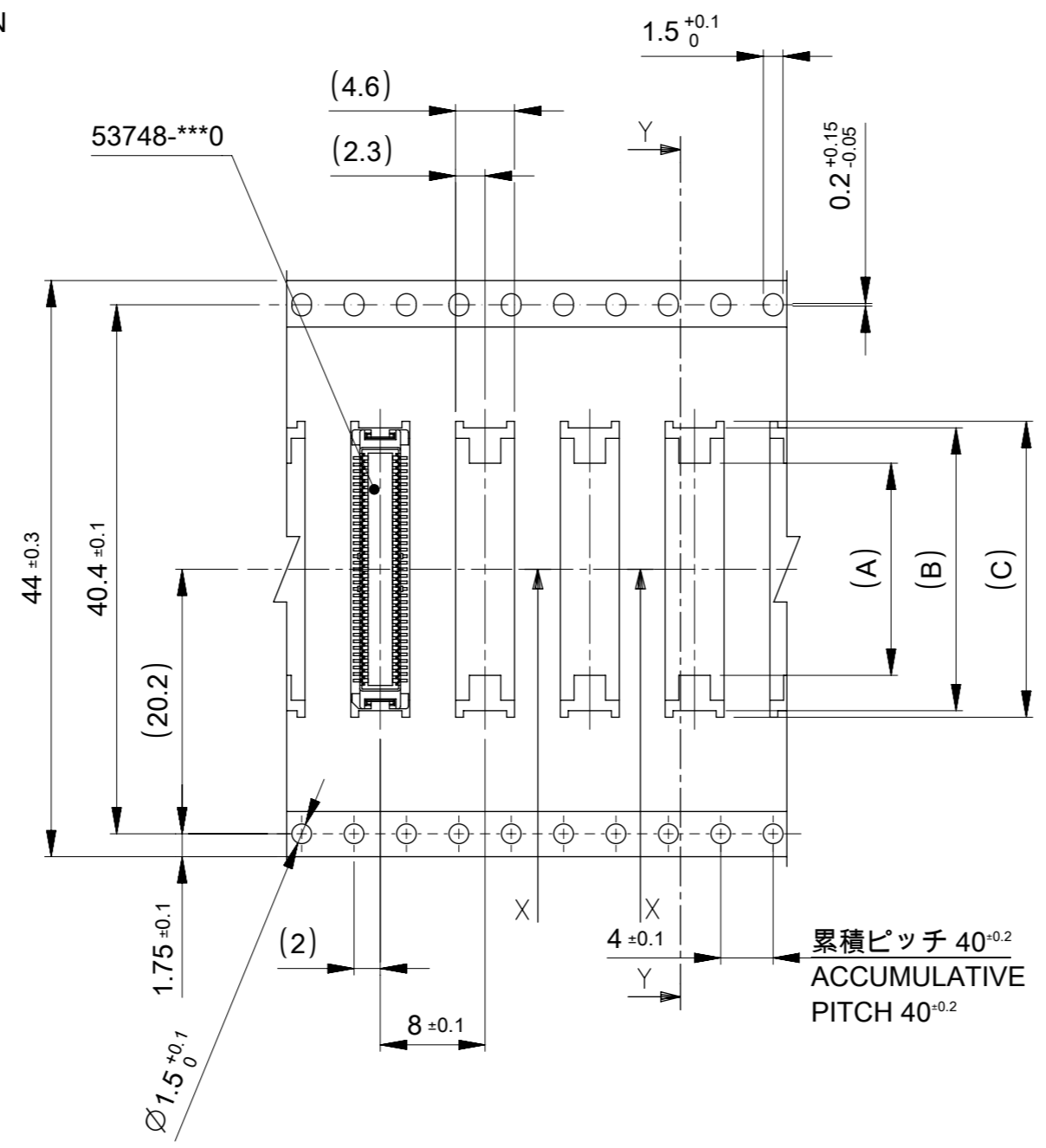
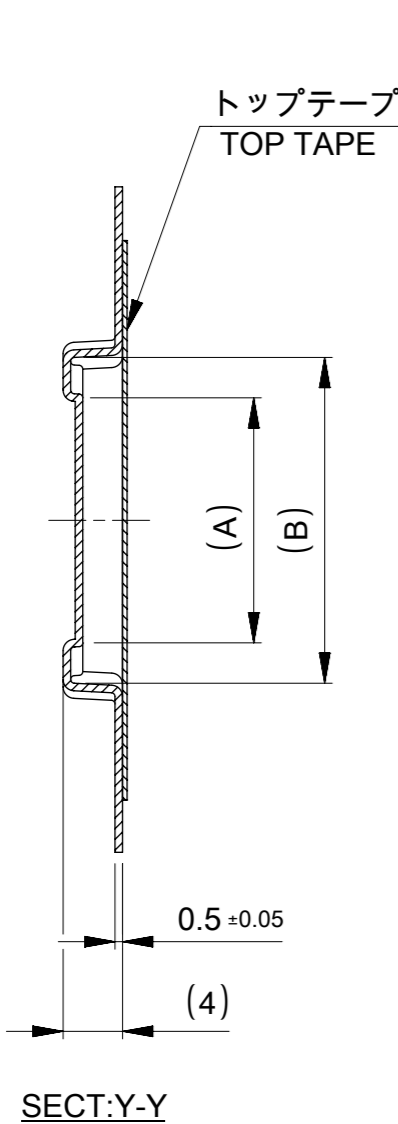
累積ピッチ 40^{+0.2}
ACCUMULATIVE PITCH 40^{+0.2}

32	33.5	20.1	19.1	13.7	53748-0608	60
		17.6	16.6	11.2	53748-0508	50
キャリアテープ幅 CARRIER TAPE WIDTH	D	(C)	(B)	(A)	MATERIAL NO.	極数 CKT.

THIS DRAWING CONTAINS INFORMATION THAT IS PROPRIETARY TO MOLEX ELECTRONIC TECHNOLOGIES, LLC AND SHOULD NOT BE USED WITHOUT WRITTEN PERMISSION

DIMENSION UNITS	SCALE	CURRENT REV DESC:			
mm	NTS	<p>molex</p> <p>0.5 MM PITCH B-TO-B CONN. HEIGHT = 3 PLUG EMBOSS TAPE PACKAGE</p> <p>PRODUCT CUSTOMER DRAWING</p>			
GENERAL TOLERANCES (UNLESS SPECIFIED)					
GENERAL TOLERANCES (UNLESS SPECIFIED)	ANGULAR TOL ± 30°	EC NO: 739518	2023/02/21	DOCUMENT NUMBER	
10 ^{UNDER} ±0.2	4 PLACES ± 0.2	DRWN: TNAKAGAWA01	2023/06/02	SD-53748-005	DOC TYPE
10 ^{OVER} 30 ^{UNDER} ±0.25	3 PLACES ± 0.25	CHK'D: SMARUYAMA	2023/06/02	PSD	DOC PART
30 ^{OVER} ±0.3	2 PLACES ± 0.3	APPR: YNAITO	2023/06/02	001	REVISION
ANGULAR±3°	1 PLACE ±	INITIAL REVISION:	2008/12/08	F	
DRAFT WHERE APPLICABLE MUST REMAIN WITHIN DIMENSIONS	0 PLACES ±	DRWN: NAKAMURAA	2009/01/09	SHEET NUMBER	
		APPR: NUKITA		SEE TABLE	4 OF 5
		THIRD ANGLE PROJECTION	DRAWING	SERIES	CUSTOMER
			A3-SIZE	53748	GENERAL

引き出し方向
PULL OUT DIRECTION



44mm 幅キャリアテープ
44mm WIDTH CARRIER TAPE

累積ピッチ 40^{-0.2}
ACCUMULATIVE
PITCH 40^{-0.2}

44	45.5	25.1	24.1	18.7	53748-0808	80
		22.6	21.6	16.2	53748-0708	70
キャリアテープ幅 CARRIER TAPE WIDTH		D	(C)	(B)	(A)	MATERIAL NO. 極数 CKT.

THIS DRAWING CONTAINS INFORMATION THAT IS PROPRIETARY TO MOLEX ELECTRONIC TECHNOLOGIES, LLC AND SHOULD NOT BE USED WITHOUT WRITTEN PERMISSION

DIMENSION UNITS	SCALE	CURRENT REV DESC:			
mm	NTS	<p>molex</p> <p>0.5 MM PITCH B-TO-B CONN. HEIGHT = 3 PLUG EMBOSS TAPE PACKAGE</p> <p>PRODUCT CUSTOMER DRAWING</p>			
GENERAL TOLERANCES (UNLESS SPECIFIED)					
ANGULAR TOL ± 30°					
DRAFT WHERE APPLICABLE MUST REMAIN WITHIN DIMENSIONS					
GENERAL TOLERANCES (UNLESS SPECIFIED)		EC NO: 739518	2023/02/21		
10 ^{UNDER}	±0.2	DRWN: TNAKAGAWA01	2023/06/02		
10 ^{OVER} 30 ^{UNDER}	±0.25	CHK'D: SMARUYAMA	2023/06/02		
30 ^{OVER}	±0.3	APPR: YNAITO	2023/06/02		
ANGULAR+3°		INITIAL REVISION:		DOCUMENT NUMBER	DOC TYPE
DRAFT WHERE APPLICABLE MUST REMAIN WITHIN DIMENSIONS		DRWN: NAKAMURAA	2008/12/08	SD-53748-005	PSD
		APPR: NUKITA	2009/01/09	001	F
		THIRD ANGLE PROJECTION	DRAWING	SERIES	MATERIAL NUMBER
		⊕	A3-SIZE	53748	SEE TABLE
					CUSTOMER
					GENERAL
					SHEET NUMBER
					5 OF 5