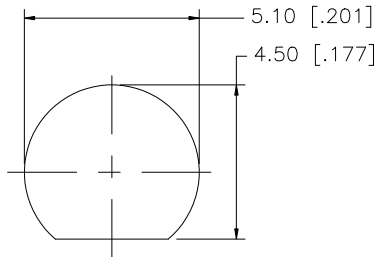
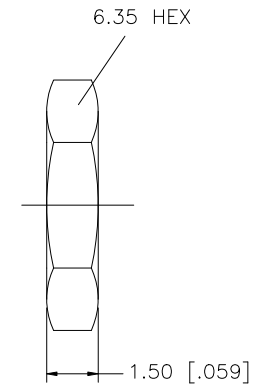
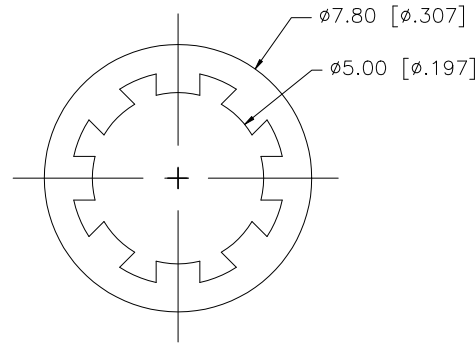
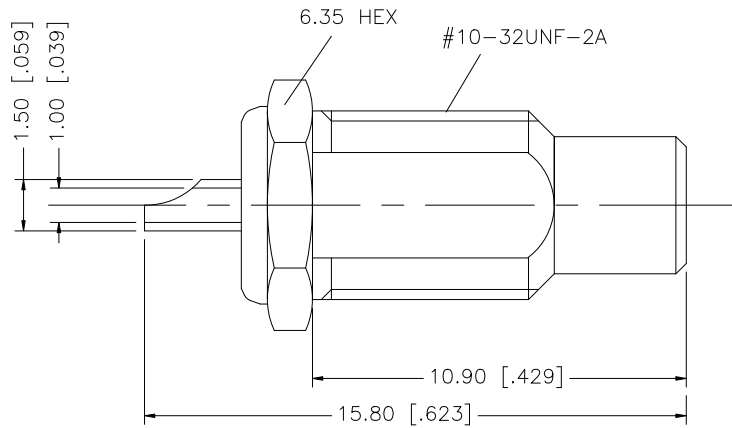


REV.	DATE	DESCRIPTION
NC	05/14/99	INITIAL RELEASE
A	07/08/07	UPDATE DRAWING FORMAT



RECOMMENDED
MOUNTING HOLE



8				
7				
6				
5				
4				
3	CONTACT PIN	BRASS	GOLD	1
2	INSULATOR	TEFLON	NATURAL	1
1	BODY	BRASS	GOLD	1
	DESCRIPTION	MATERIAL	FINISH	QTY

UNLESS OTHERWISE SPECIFIED DIMENSIONS ARE IN MILLIMETERS. DIMENSIONS IN [] ARE IN INCHES AND FOR CUSTOMER REFERENCE ONLY.

UNLESS OTHERWISE SPECIFIED TOLERANCES FOR MILLIMETERS ARE:
0.5 - 8mm \pm 0.20mm
8 - 30mm \pm 0.40mm
30 - 120mm \pm 0.50mm

UNLESS OTHERWISE SPECIFIED TOLERANCES FOR INCHES ARE:
.020 - .315 \pm 0.007"
.315 - 1.180 \pm 0.015"
1.180 - 4.724 \pm 0.020"

DO NOT SCALE DRAWING

APPROVALS	DATE
DRAWN G.R.S.	07/08/07
CHECKED	
ISSUED	
SHEET 1 OF 1	
CAD FILE	C:/152/152127.DWG

<h1 style="color: blue; text-align: center;">Amphenol Connex</h1>			
SMC BULKHEAD RECEPTACLE JACK			
-			
PART NO.			
152127			
DWG. NO.	152127.DWG	REV.	A
SIZE	A	SCALE	NA