

WIRING DIAGRAM - 16 CORE CABLE

CIRCUIT No.	CONDUCTOR No.	BRID	CIRCUIT No.
1	16. YELLOW/BROWN	1	1
2	1. WHITE	2	2
3	14. BROWN/RED	3	3
4	18. VIOLET	4	4
5	12. RED/BLUE	5	5
6	10. WHITE/YELLOW	6	6
7	16. VIOLET	7	7
8	13. WHITE/GREEN	8	8
9	6. PINK	9	9
10	7. BLUE	10	10
11	5. GREY	11	11
12	4. YELLOW	12	12
13	9. BLACK	13	13
14	11. GREY/PINK	14	14
15	2. BROWN	15	15
16	3. GREEN	16	16
18	DRAIN WIRE		

CABLE SPECIFICATION - 16 CORE CABLE

CABLE TYPE: FLAT RIBBON ROUND OTHER

SPIRAL CABLE: YES NO

NO. OF CONDUCTORS: YES NO

2. CABLE REQUIREMENTS: N/A

3. CONDUCTOR SPECIFICATIONS:

CONDUCTOR NO.	1 - 3	4 - 16	COLORS
CONDUCTOR	CENTRE	OUTSIDE	1. WHITE
MATERIAL	TINNED CU	TINNED CU	2. RED
A.B.C.	26	30	3. YELLOW
STRANDING STY/GAUGE	7/24 OR 19/30/24/2	17/30	4. YELLOW
TRESSURE STRENGTH	N/A	N/A	5. PINK
INSULATION			6. PINK
MATERIAL	PVC	PVC	7. BLUE
MIN. WALL THICKNESS	0.18 REF.	0.18 REF.	8. BLACK
COLOR	SEE CABLE DIAGRAM/COLOR CODE		9. GREY
OUTSIDE DIAMETER	1.41	0.76	10. WHITE/GREEN
DIRECTION OF LAY	2	5	11. BROWN/GREEN
LENGTH OF LAY	22 REF	45 REF	12. WHITE/YELLOW
UL RATING	UL - 89Z		13. YELLOW/BROWN

4. FILER: ENOUGH TO MAKE THE ASSEMBLY BOUND

5. SEPARATOR: POLYESTER FILM
TYPE: BROWN SEPARATOR - 2, OUTER SEPARATOR - 5.

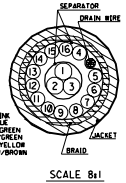
6. SHIELD: FOIL TYPE: N/A
FOIL FACING: N/A

7. DRAIN WIRE: GAUGE: 28 AWG
STRANDING: 7/24
REQUIREMENT: DRAIN TO BE ON THE OUTSIDE OF THE SEPARATOR

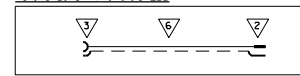
8. SPIRAL/BRAID: GAUGE: 24 x 8 x 0.1 OR 24 x 8 x 0.1
COPPER TYPE: TINNED CU
COVERAGE: 92.5

9. CABLE JACKET: TYPE: PVC (GENERAL PURPOSE EXTRUSION GRADE)
FINAL DIAMETER: 0.88 REF
MIN. THICKNESS: 0.5 REF
COLOR: BLACK
FINISH: MATT
UL RATING: UL - 2827E
HANDNESS: 6173 SHD B
TO BE EASILY SLIPPED BETWEEN THUMB AND FOREFINGER
MARKINGS: V2485-Z1303-A135-T YEAR AND MONTH OF MANUFACTURE ACCORDING TO IEC 62 INDE 5.1.1 NOT PRINTED IN WHITE EVERY 500.

10. PACKAGING: PACKAGING: SEE PACKAGING SPECIFICATION ESTABLISHED BY LOCAL PURCHASING AND MANUFACTURING DEPARTMENTS.



WIRING DIAGRAM - R.F. CABLE



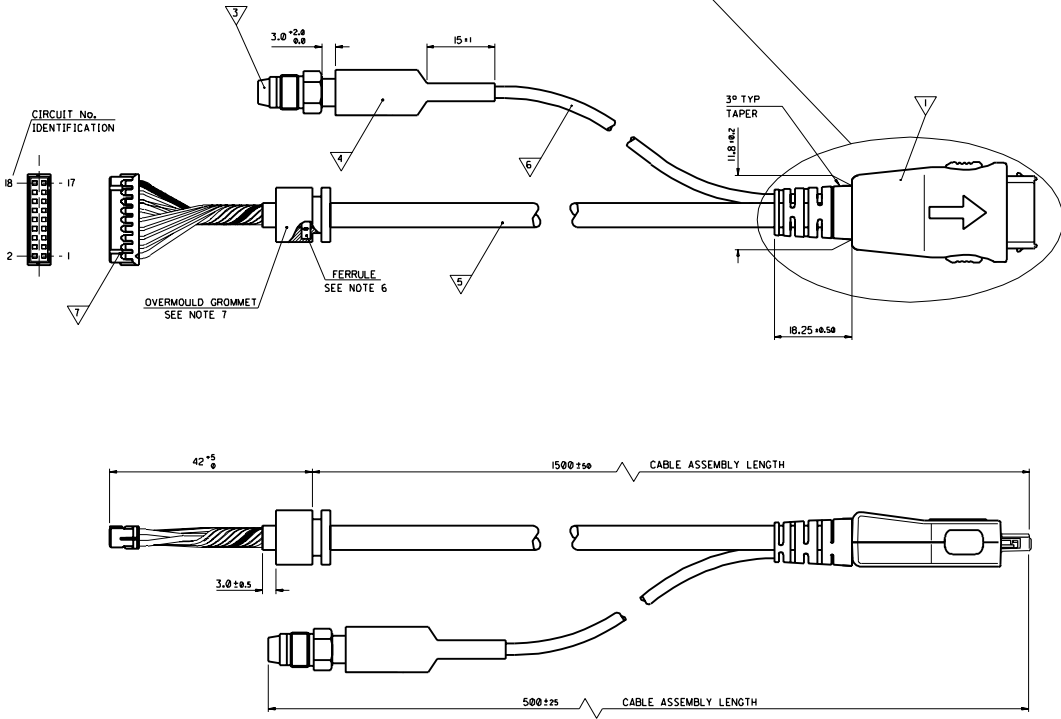
BILL OF MATERIALS

NO.	QUANTITY	SUPPLIER	DESCRIPTION	PART No.	SEE NOTE
1	1	MOLEX	16 CIRCUIT I/O MOBILE PHONE PLUG CONNECTOR	91060-0001	1, 2, 3
2	1	MOLEX	COAXIAL RF CONNECTOR	90853-0001	3
3	1	ROSENBERGER	COAXIAL RF CONNECTOR	26K10-1D2	4, 5
4	1	RAYCHEM	HEAT SHRINK TUBING	ATUM-8/2-0	
5	1	MOLEX	16 CORE CABLE SEE CABLE SPECIFICATION		
6	1	NO PREFERRED SUPPLIERS	COAXIAL CABLE 50 OHM	RG 174 A/U	4, 5
7	1	JST	18 CIRCUIT MOBILE PHDR-18WS		
13	4		CRIMP TERMINAL 30 AWG	SPHD-003T-P0.5	4, 5
4			CRIMP TERMINAL 26 AWG	SPHD-002T-P0.5	

NOTES:-

- MATES WITH SERIES 91052 HANDSET CONNECTOR.
- SEE PRODUCT SPECIFICATION No. PS-99020-0049.
- CABLE CONDUCTORS & RF COVERED WITH HEAT SHRINK INSULATION TUBING.
- ONLY AVAILABLE FROM MOLEX AS PART OF A CABLE ASSEMBLY.
- SUPPLIER OR CUSTOMER APPROVED EQUIVALENT.
- SEE CRIMP SPECIFICATION ES-99043-0003.
- SEE GROMMET SPECIFICATION ES-99038-0013.
- PACKAGING: SEE PACKING SPECIFICATION ES-99039-0006 AND LABELLED AS SHOWN. YEAR AND MONTH, 'XX', TO BE PRINTED ACCORDING TO IEC 62 INDE 5.1.1.
- SEE TERMINATION SPECIFICATION ES-99033-0003.

V2485I-Z1303-A135-1
XX MX1
MOLEX 91060-0135



FOR PREVIOUS DRAWING ISSUES SEE MRL.

REVISE ONLY ON CAD SYSTEM

DATE: MC

FILE: SYSTEM CONNECTOR PLUG CABLE ASSEMBLY

MOLEX EUROPE

91060-0135

SDA-91060-0135