

6

5

4

3

2

1

APPROVED: _____
 DATE: _____ TITLE: _____

Rev	AWO #	Description	Date	Appr
-		RELEASED	11/23/10	
A		REVISED DIM.	3/31/11	
B		UPDATE DRAWING	8/3/18	AY/RC1

D

D

C

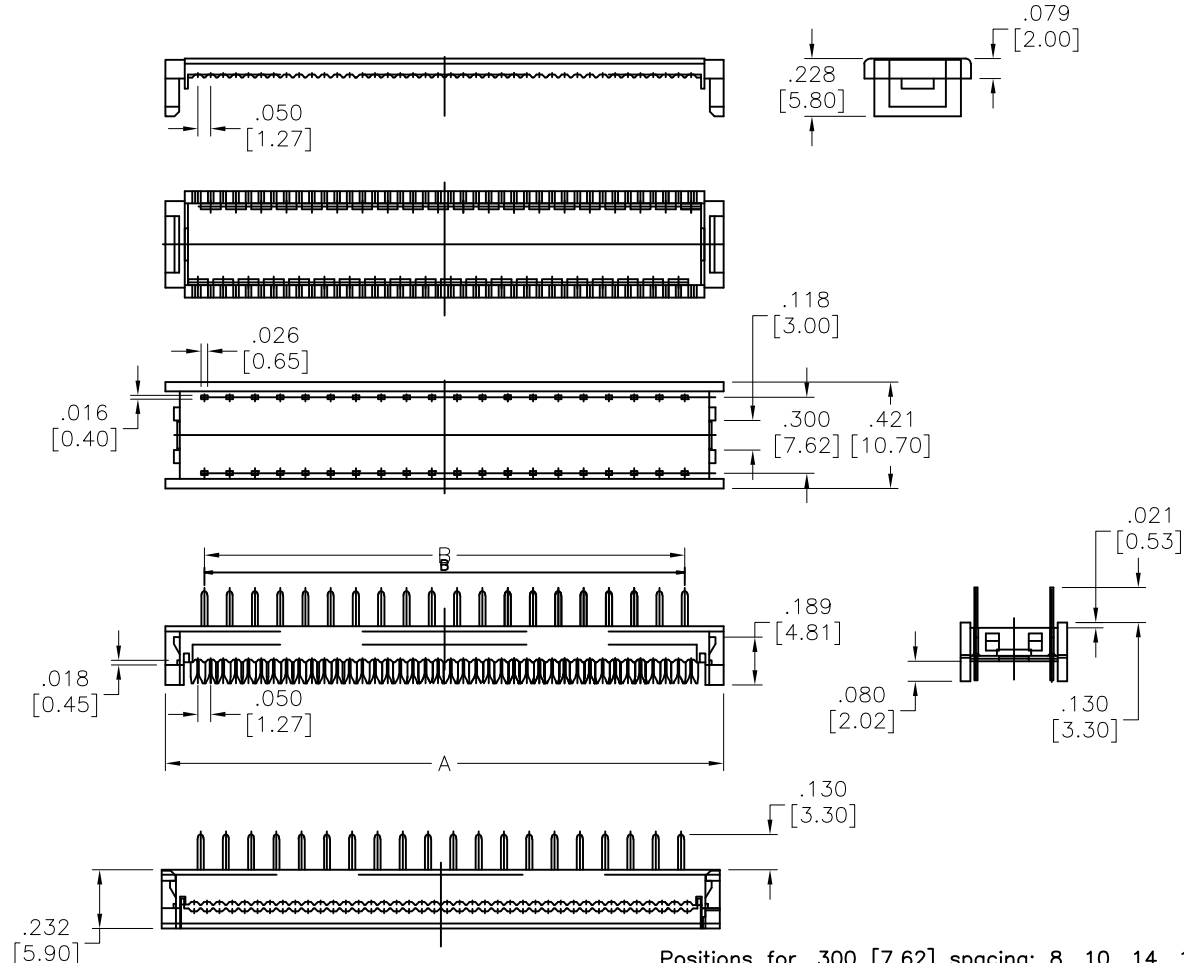
C

B

B

A

A



Positions for .300 [7.62] spacing: 8, 10, 14, 16, 18, 20, 24, 28, 34, 40
 A = .100 [2.54] x No. of Spaces + .307 [7.80]
 B = .100 [2.54] x No. of Spaces

SPECIFICATIONS:

Material:
 Insulator: PBT, glass reinforced, rated UL 94V-0
 Insulator color: Black
 Contacts: Brass
 Plating:
 Tin over Nickel underplate overall
 Electrical:
 Voltage rating: 250 VAC/DC.
 Current rating: 1A AC/DC.
 Contact resistance: 20 mohms max.
 Insulation resistance: 1,000 Mohms min.
 Dielectric withstanding voltage: 500 VAC for 1 minute
 Temperature Rating:
 -40°C to +105°C
 Environmental:
 Lead free, RoHS compliant



UNLESS OTHERWISE SPECIFIED ALL DIMENSIONS ARE INCHES [MM] TOLERANCES: EXCEPT AS NOTED		
INCHES HOLES		
.X ± .10	∅X ± .10	
.XX ± .020	∅XX ± .015	
.XXX ± .015	∅XXX ± .010	
APPROVALS		DATE
DRAWN	AY	11/23/10
CHECKED	AW	11/23/10
APPROVED		



909 Rahway Avenue,
 Union, NJ 07083
 Phone: 908-687-5000
 Fax: 908-687-5710

TITLE FLAT CABLE DIP PLUG, .100 [2.54mm] .300 [7.62mm] ROW TO ROW			
SIZE X	PART NO. FDP-3XX-T	REV. B	
REF: S00040T	SCALE: NTS	SHEET 1 OF 1	

6

5

4

3

2

1