

Data sheet

PT045xxVBBN Type 020

Page 1/5

P/N
310201xx

xx=number of poles

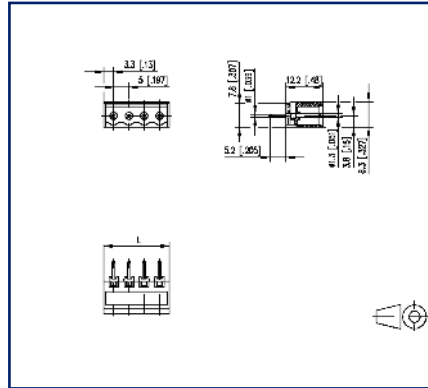
2023/06/26

Version: U

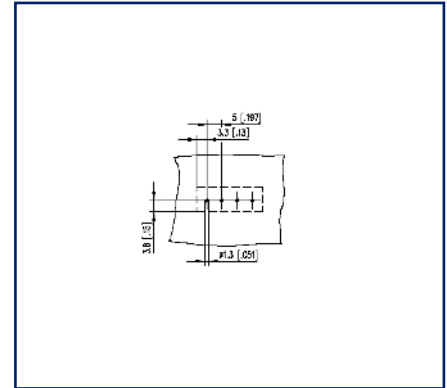
Illustrations



Dimensional drawing



Drill pattern




See enlarged drawings at the end of document

Product specification

- pin header, solderable
- centerline 5.00 mm, direction of connection vertical 0°
- closed ends
- color black



Technical Data

General Data			
Solder pin length	5.2 mm		
min. number of poles	2		
max. number of poles	22		
Insulating material class	CTI 600		
clearance/creepage dist.	3.7 mm		
Protection category	IP00		
Rated current	10 A		
Overvoltage category	III	III	II
Pollution degree	3	2	2
Rated voltage	250 V	630 V	630 V
Rated test voltage	4 kV	4 kV	4 kV
Approvals			
 V / A	300 / 15		
approval UL - File No.	E121004		
1.5 mm ²			
Material			
insulating material	PA66		
flammability class	V0		
contact pin material	CuZnPb		
contact pin surface	Ni + Ag		
Glow-Wire Flammability GWFI	960 °C acc. to IEC 60695-2-12		
Glow-Wire Flammability GWIT	775 °C acc. to IEC 60695-2-13		
Climatic Data			
upper limit temperature	105 °C		
lower limit temperature	-40 °C		
general			
Tolerance	ISO 2768 -mH		
Solderability	Acc. to JEDEC JESD22-B102E 245°C/5s		

U | Contact

Data sheet

PT045xxVBBN Type 020

Page 3/5

P/N

310201xx

xx=number of poles

2023/06/26

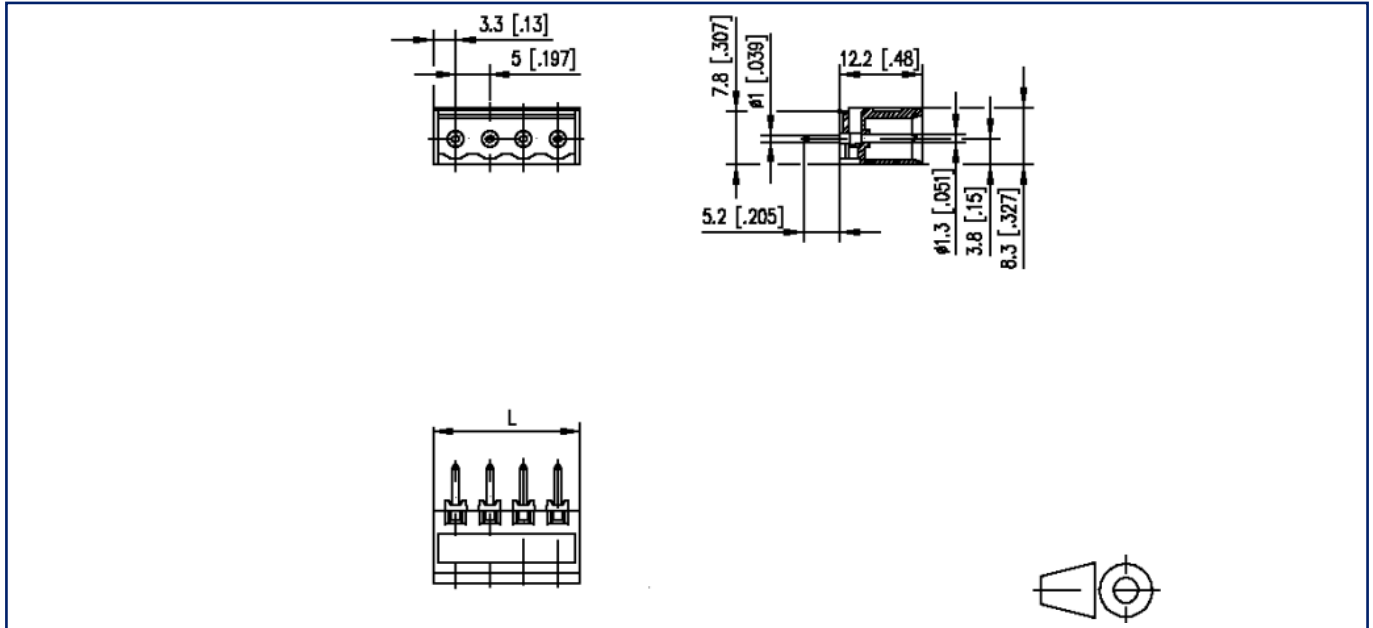
Version: U

Counterpart of

P/N	Designation
310091	RP015xxWBWC Type 009
310131	RP035xxIBLN Type 013
310261	FT085xxVBFC Type 026
310491	RP015xxWBLC Type 049
313481	RP085xxVBLC Type 348
SP995XXVBNC	SP995xxVBNC

Illustrations

Dimensional drawing



$L = (\text{pole size} - 1) \times \text{centerline} + 6.6 \text{ mm} [0.26]$

© 2023 METZ CONNECT - Technische Änderungen vorbehalten! Subject to modifications! Sous réserve de modifications techniques!

Illustrations

Drill pattern

