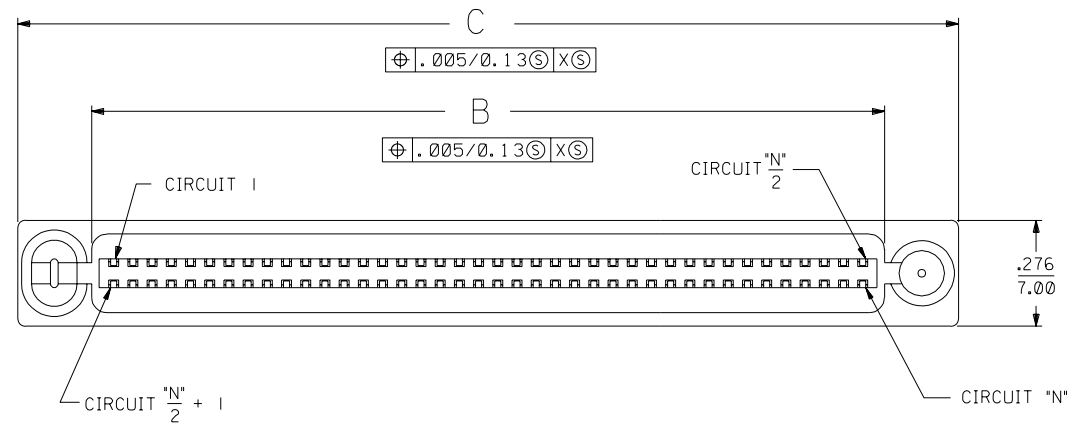


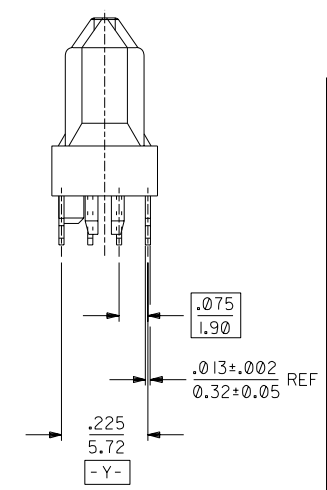
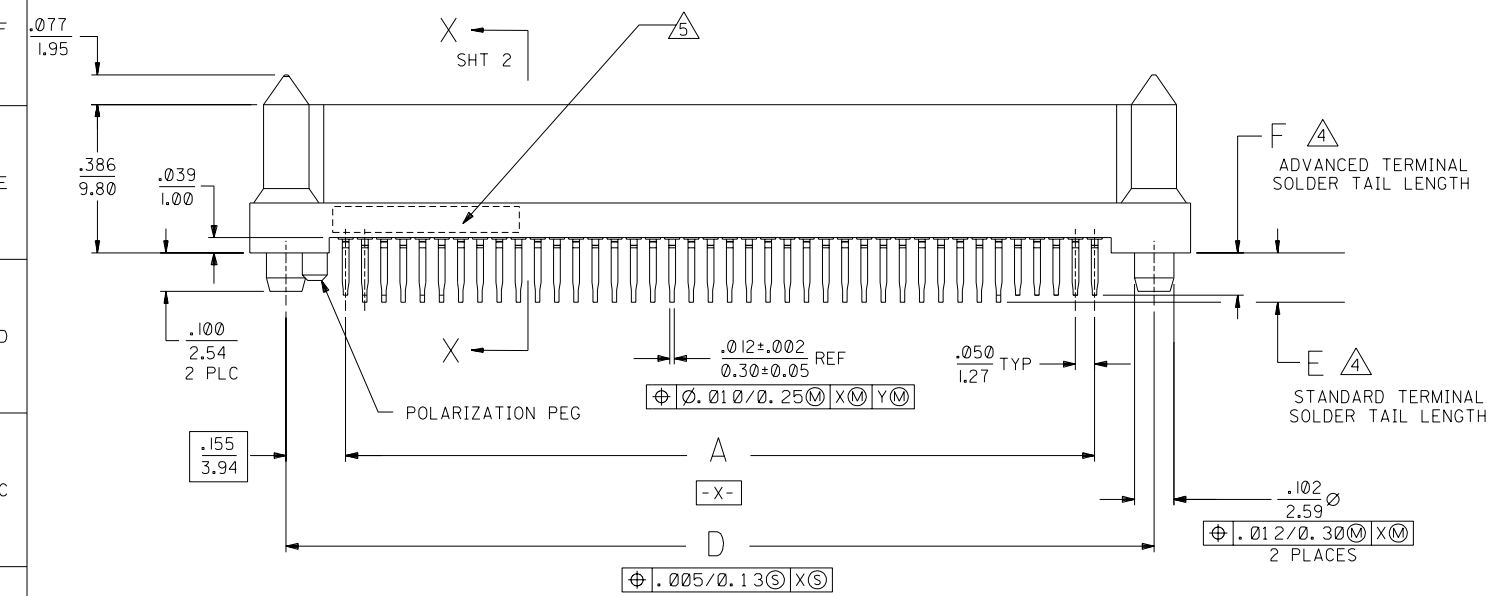
NOTES:

- 1) MATERIALS:  
HOUSING- LCP, GLASS FILLED, UL94V-0, BLACK.  
TERMINALS- COPPER ALLOY
- 2) FINISH:  
TERMINALS:  
.000030/(0.00076) MINIMUM GOLD IN CONTACT AREA AND  
.000050/(0.00127) MINIMUM TIN IN TAIL AREA OVER  
.000075/(0.00191) MINIMUM NICKEL UNDERPLATING OVERALL.
- 3) ASSEMBLY MATES WITH MOLEX P/N SDA-71661-7\*\*\*.  
CONFORMS TO PRODUCT SPECIFICATION PS-71660.
- 4 SEE TABLE ON SHEET 2 FOR ADVANCED TERMINAL LIST
- 5 FOUR DIGIT DATE CODE (WK YR), EXAMPLE => 26 96  
LOCATED IN AREA INDICATED.



NOTE FOR LEAD FREE CONVERSION:

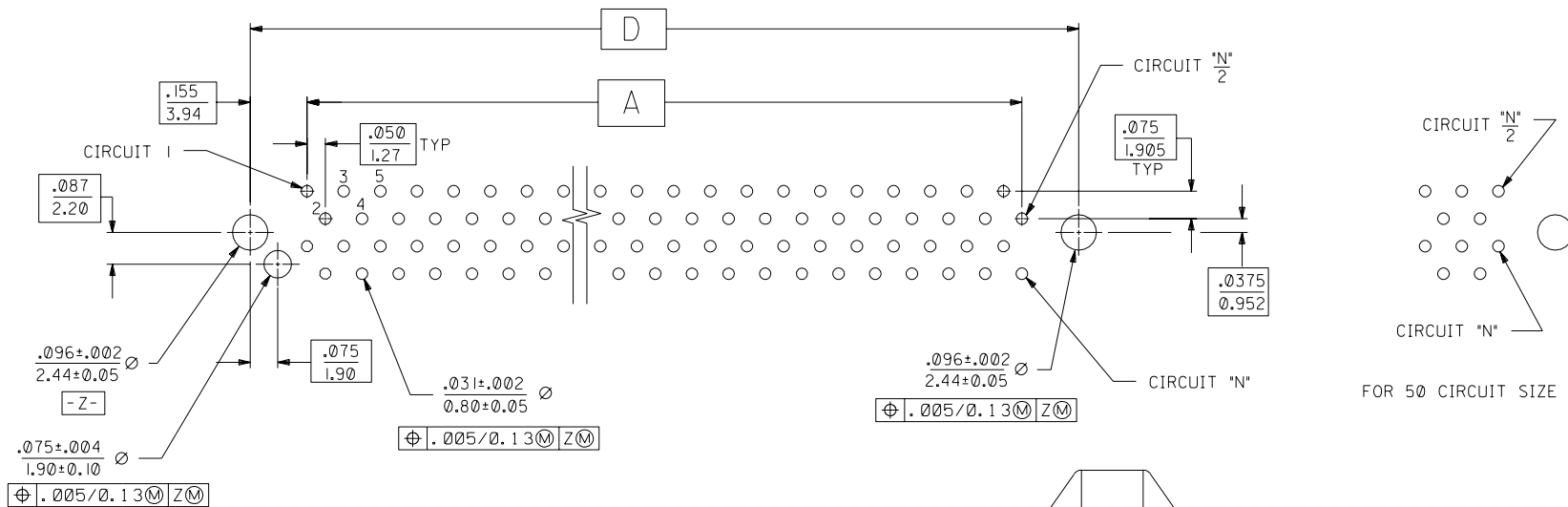
THE PRIMARY SHIPPING CARTON WILL BE LABELED "COMPLIANT TO ROHS DIRECTIVE 2002/95/EC AND ELV ANNEX II OF DIRECTIVE 2000/53/EC". CARTONS WITHOUT THIS LABEL MAY CONTAIN PRODUCT WITH LEAD.



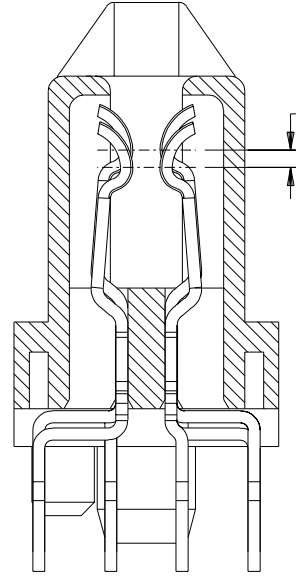
2	A	A	INITIAL RELEASE
1	A	A	ECR UCP2005-0071
			RKADAMS 04/7/11

DIMENSIONS SHOWN (METRIC) INCH		▽ = 0		▼ = 0		REVISE ONLY ON CAD SYSTEM	
UNLESS OTHERWISE SPECIFIED TOLERANCES: ANGULAR ± 1/2°							
INCH		METRIC					
3 PLACE	± .005	---					
2 PLACE	± ---	± 0.13					
1 PLACE	---	± ---					
DRAFT WHERE APPLICABLE MUST REMAIN WITHIN DIMENSIONS							
DRWG. BY	RKA	CHK'D. BY	BB	FILE NAME	SD7166075X	SHEET NO.	1 OF 2
APP'D. BY	SM	SCALE	4: 1	PART NO.	SD-71660-005	DATE	04/07/11
				THIS DRAWING CONTAINS INFORMATION THAT IS PROPRIETARY TO MOLEX INC. AND SHOULD NOT BE USED WITHOUT WRITTEN PERMISSION.			

13	12	11	10	9	8	7	6	71660	4	3	2	1
ITEM NUMBER	CIRCUIT SIZE ("N")	A	B	C	D	E ±.010 (±0.25)	F ±.010 (±0.25)	ADVANCED CIRCUITS				
	68	1.650 (41.91)	1.765 (44.83)	2.149 (54.58)	1.960 (49.78)	.134 (3.40)	.116 (2.95)	5, 6, 39, 64, 66, 68				
	40	.950 (24.13)	1.065 (27.05)	1.449 (36.80)	1.260 (32.00)	.128 (3.25)	.110 (2.79)	1, 2, 3, 18, 19, 20				
	50	1.200 (30.48)	1.315 (33.40)	1.699 (43.15)	1.510 (38.35)	.128 (3.25)	.110 (2.79)	1, 2, 3, 23, 24, 25				
71660-7580	80	1.950 (49.53)	2.065 (52.45)	2.449 (62.20)	2.260 (57.40)	.128 (3.25)	.110 (2.79)	1, 36-43, 45, 46, 75-80				



RECOMMENDED PC BOARD LAYOUT  
COMPONENT SIDE  
FOR 40, 68 AND 80 CIRCUIT SIZES



DIMENSIONS SHOWN (METRIC) INCH		UNLESS OTHERWISE SPECIFIED TOLERANCES: ANGULAR ± 1/2°		REVISIONS	
3 PLACE	± .010	---	---	REVISE ONLY ON CAD SYSTEM	
2 PLACE	± ---	± 0.25	---		
1 PLACE	---	± ---	---		
DRAFT WHERE APPLICABLE MUST REMAIN WITHIN DIMENSIONS					
DRWG. BY: RKA	CHK'D. BY: BB	FILE NAME: SD71660SX2.DGN	SCALE: 4:1	PART NO. SEE SHEET 1	DRWG. NO. SD-71660-005
TITLE: SALES ASSY, EBBI 50D, VERTICAL, BLIND MATE RCPT W/ ADVANCED TERMINALS		SHEET NO. 2		DATE 04/07/11	
MOLEX INCORPORATED		LITSE, ILL. 60532		U.S.A.	
THIS DRAWING CONTAINS INFORMATION THAT IS PROPRIETARY TO MOLEX INC. AND SHOULD NOT BE USED WITHOUT WRITTEN PERMISSION.					

SEE SHEET 1