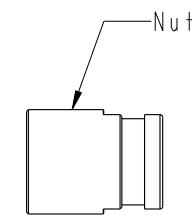
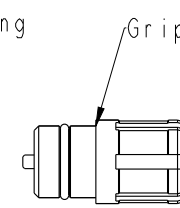
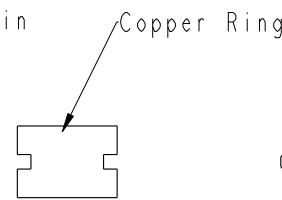
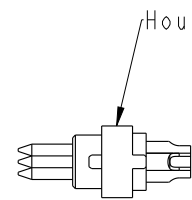
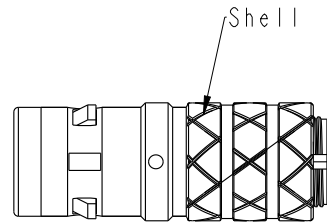
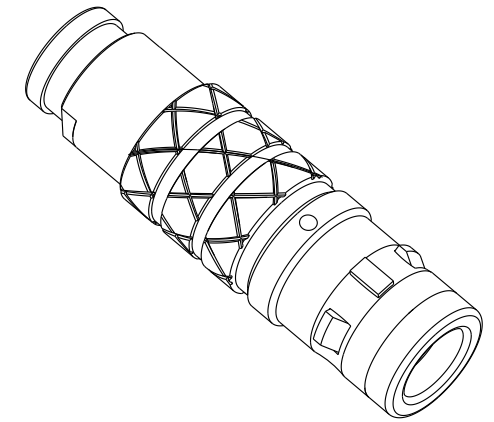
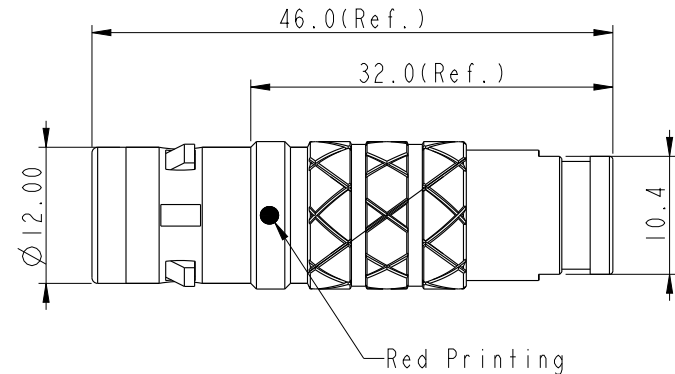
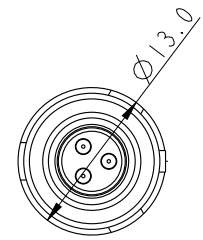


THIS DOCUMENT IS SUBJECT TO CHANGE WITHOUT NOTICE. IT IS CONFIDENTIAL AND A PROPERTY OF AMPHENOL LTW. DISCLOSURE TO THIRD PARTY HAS TO BE AUTHORIZED BY AMPHENOL LTW.

REV.	ECN NO.	DATE	SIGN	DESCRIPTION



Notes:
 * CC Important Dimensions To Check
 * Waterproof Rate: IP68. (Mated)
 * Male Pin: Copper Alloy, Gold Plated.

UNIT: mm
 TOLERANCE
 $\pm 0.5\text{MM}$

TITLE
 FLO PLUS K C SIZE CONNECTOR

SCALE	1:1	SIZE	A4	SHEET	1	OF	2
REV.	A	WC-REV.	.0	CC	Inspection item		

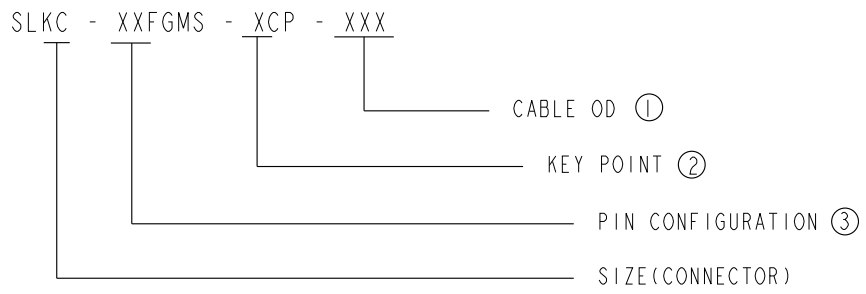
Amphenol LTW
 安費諾亮泰企業股份有限公司

ITEM NO.	DRAWN BY	DATE
DWG NO.	CHECKED BY	DATE
CUSTOMER	APPROVED BY	DATE
	Ouyang	2019-12-16
	Jerry	2019-12-16
	Fred	2019-12-16

THIS DOCUMENT IS SUBJECT TO CHANGE WITHOUT NOTICE. IT IS CONFIDENTIAL AND A PROPERTY OF Amphenol LTW. DISCLOSURE TO THIRD PARTY HAS TO BE AUTHORIZED BY Amphenol LTW.

REV.	ECN NO.	DATE	SIGN	DESCRIPTION

IK-SERIES CABLE COLLET(CABLE OD)			
CABLE CLAMP SET		CABLE DIA RANGE	
TYPE	CODE ①	MAX	MIN
SLKC-XXFGMS-XCP-XXX	206	4.0	3.8
	208	4.6	4.4
	210	5.1	4.8
	212	5.5	5.3
	213	6.1	5.8
	--	--	--



KEY POINT					
CODE ②	G	A	B	C	D
	0°	30°	45°	60°	95°
GRAPHIC					

PIN CONFIGURATION (Solder Definition) ③										
GRAPHIC										
	2 PIN	3 PIN	4 PIN	5 PIN	6 PIN	7 PIN	8 PIN	10 PIN	14 PIN	16 PIN

UNIT:mm		TITLE	FLO PLUS K C SIZE CONNECTOR		
TOLERANCE	±0.5mm	SCALE	1:1	SIZE	A4
		REV.	A	WC-REV.	.0
		SHEET	2	OF	2
		QC	Inspection item		

Amphenol LTW
 安費諾亮泰企業股份有限公司

ITEM NO	DRAWN BY	DATE
	Ouyang	2019-12-03
DWG NO	CHECKED BY	DATE
SLKC-XXFGMS-XCP-XXX	Jerry	2019-12-03
CUSTOMER	APPROVED BY	DATE
ALTW	Fred	2019-12-03