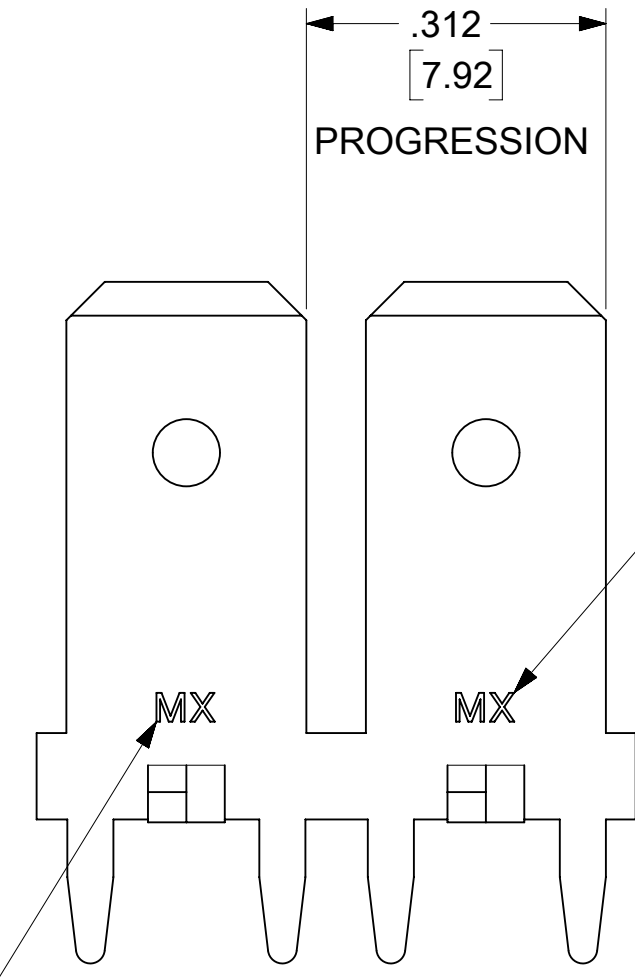
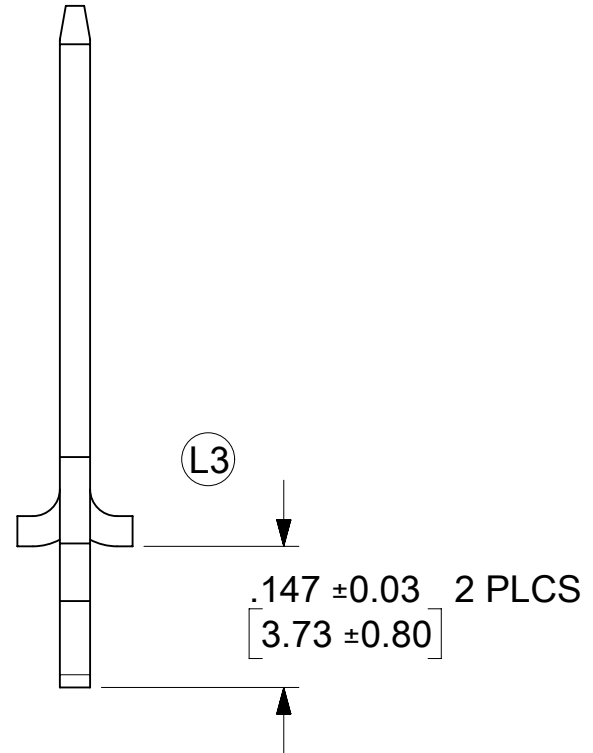
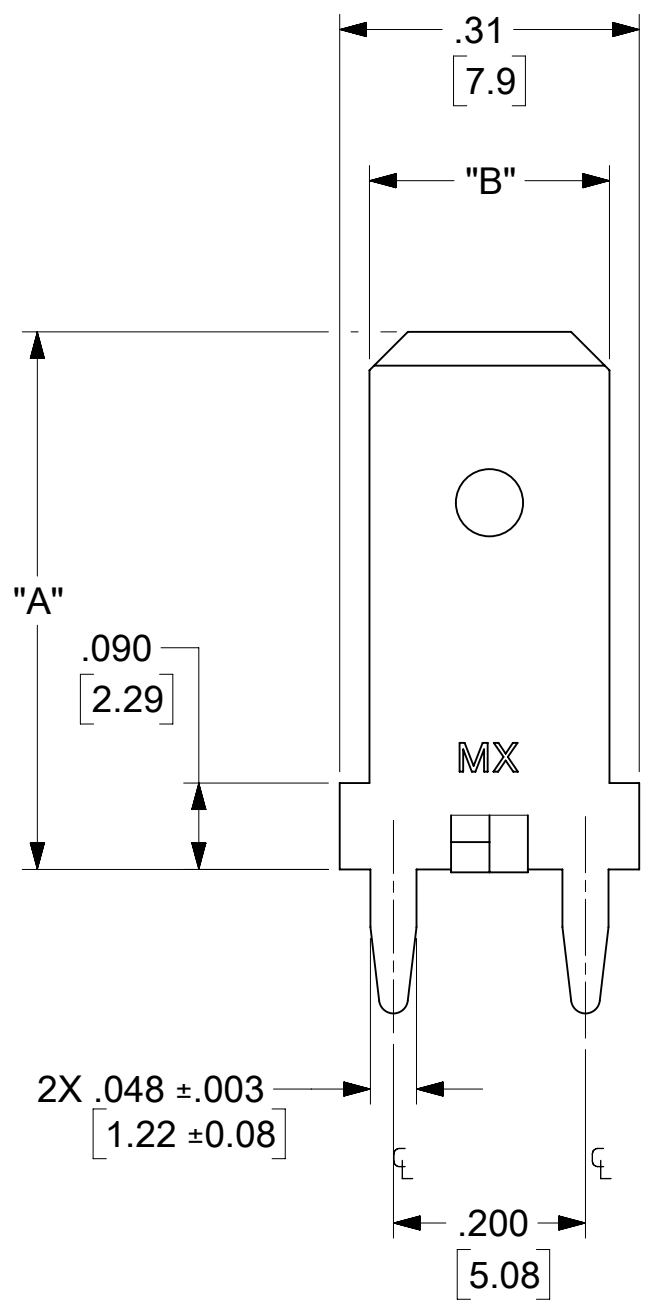
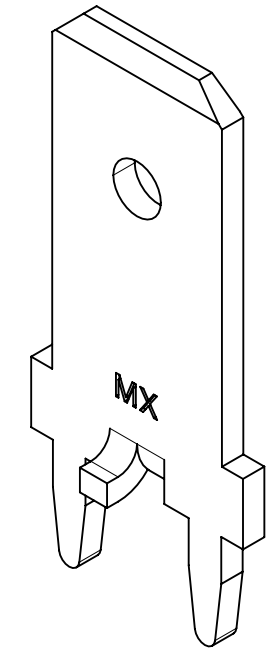
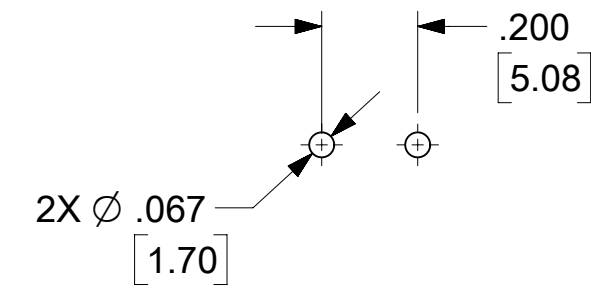
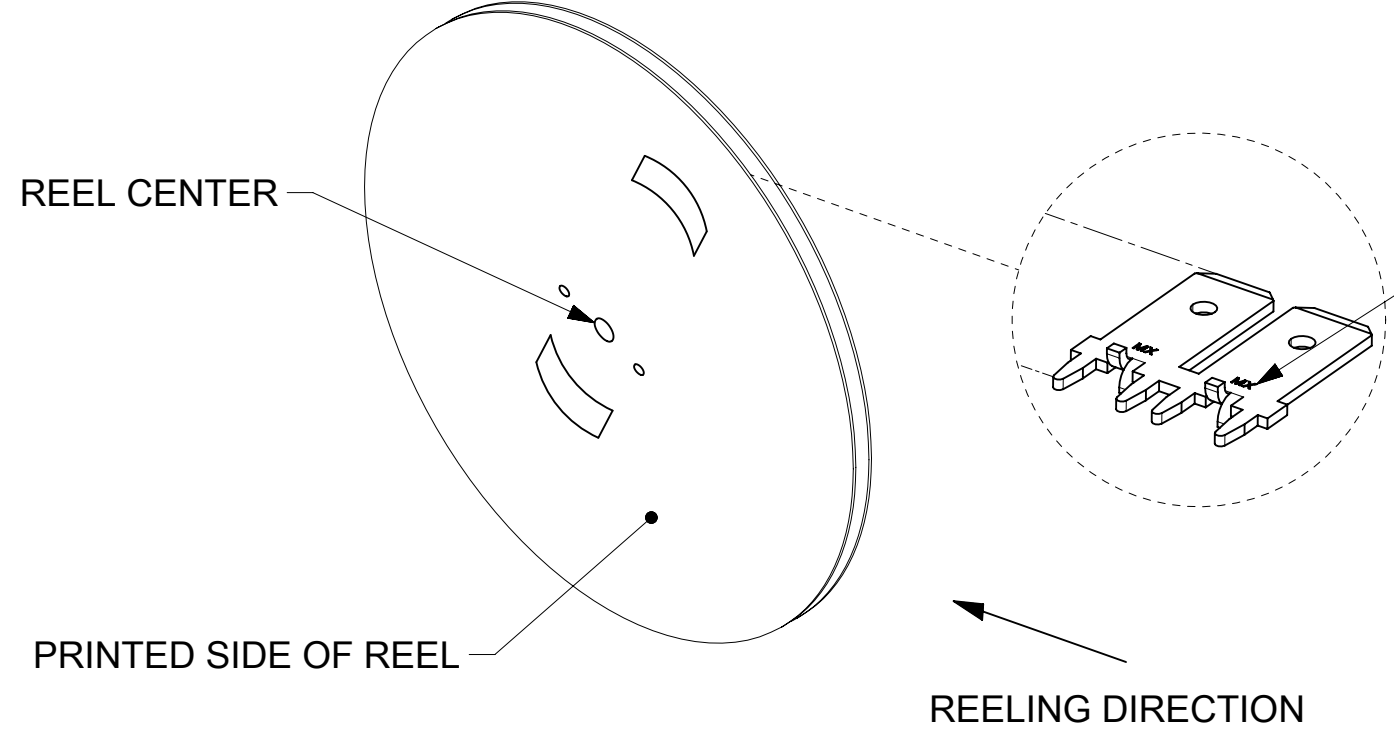
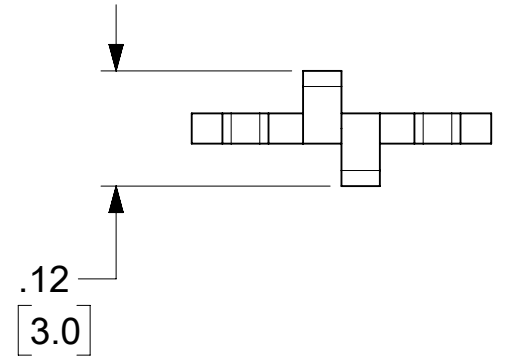


MATERIAL NUMBER	ENGINEERING NUMBER	CARRIER	LOGO ORIENTATION	DIMENSION "A"	DIMENSION "B"
197054003	19705-4003	STRIP	IN	.560/14.22	.250/6.35
197054103	19705-4103	STRIP	IN	.560/14.22	.187/4.75
197054203	19705-4203	STRIP	IN	.405/10.29	.250/6.35
197054001	19705-4001	LOOSE	-	.560/14.22	.250/6.35
197054101	19705-4101	LOOSE	-	.560/14.22	.187/4.75
197054201	19705-4201	LOOSE	-	.405/10.29	.250/6.35

RECOMMENDED PCB HOLE LAYOUT



LOGO OPTIONS: MX, ETC, MX-ETC, OR MXN MAY ALSO BE UPSIDE-DOWN FOR DIE IDENTIFICATION PURPOSES



SEE LOGO ORIENTATION ON CHART

- NOTES:
1. BARE EDGES PERMISSIBLE AT CARRIER CUT OFF.
 2. MATERIAL: BRASS C26000 (.032/0.81) THICK.
 3. TAB CONFORMS TO NEMA SPECIFICATIONS.
 4. ALL DIMENSIONS AND NOTES REFERENCE UNLESS OTHERWISE NOTED.
 5. PLATING: MATTE TIN OVER NICKEL 150µ IN/3.81 µ mm MINIMUM THICKNESS OVER NICKEL 50µ IN/1.25µ mm MINIMUM THICKNESS.
 6. 24" DIAMETER REEL WITH A 1.25" DIAMETER CENTER HOLE.
 7. PART IS RoHS COMPLIANT

THIS DRAWING CONTAINS INFORMATION THAT IS PROPRIETARY TO MOLEX ELECTRONIC TECHNOLOGIES, LLC AND SHOULD NOT BE USED WITHOUT WRITTEN PERMISSION									
DIMENSION UNITS INCH/MM		SCALE 5:1		CURRENT REV DESC: REMOVED OBSOLETE PART NUMBER AS PER PCN#513388				molex	
GENERAL TOLERANCES (UNLESS SPECIFIED)				EC NO: 743953		QUICK DISCONNECT PCB MOUNTABLE .250 & .187 X .032 TAB			
4 PLACES ±		±		DRWN: SUGEEB 2023/04/04		PRODUCT CUSTOMER DRAWING		DOCUMENT NUMBER	
3 PLACES ±		± 0.005		CHK'D: GGA 2023/04/10		SD-19705-400		DOC TYPE DOC PART REVISION	
2 PLACES ±		± 0.13 ± 0.01		APPR: GGA 2023/04/10		PSD 001 M			
1 PLACE ±		± 0.25 ±		INITIAL REVISION:		MATERIAL NUMBER		CUSTOMER	
0 PLACES ±		±		DRWN: EDB 11/08/96		SEE TABLE		GENERAL MARKET	
ANGULAR TOL ± 0.5 °				APPR: RWD 11/08/96		SERIES		SHEET NUMBER	
DRAFT WHERE APPLICABLE MUST REMAIN WITHIN DIMENSIONS		THIRD ANGLE PROJECTION		DRAWING		19705		1 OF 1	