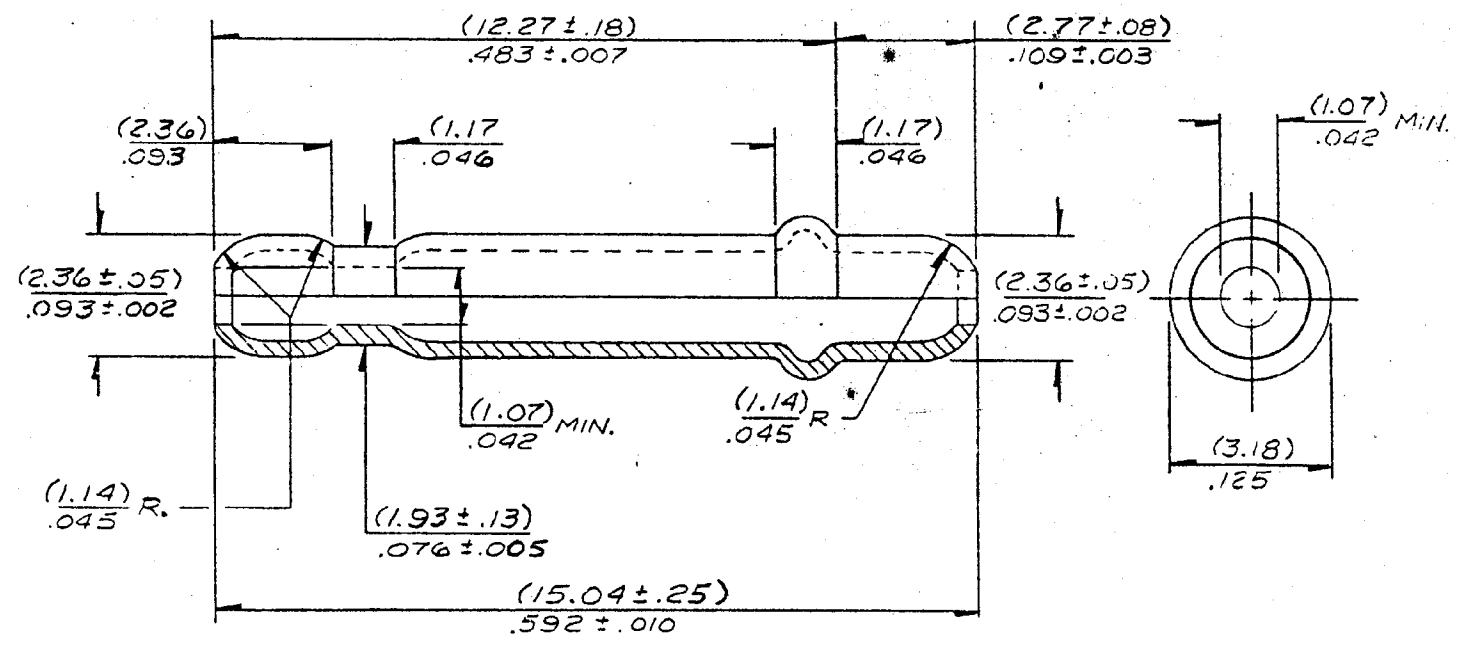


575

PART NO.  
16-06-0005  
ENG. NO.  
SDSP-575-125

575  
13



MAT'L: 70/30 BRASS  
FINISH: ELECTRO TIN PLATE (0,00508)/.000200 MIN. PER E.S.-88-125.

FINAL REL. MAX 50060 11-0-75-740	REVISIONS	DIMENSION SHOWN (METRIC)/INCH		TITLE	
		UNLESS OTHERWISE SPECIFIED TOLERANCE: INCH METRIC 3 PLACE ± .010 ± 0.25 2 PLACE ± .014 ± 0.36 1 PLACE ± .014 ± 0.36 ANGULAR 1/2° DRAFT WHERE APPLICABLE MUST REMAIN WITHIN DIMENSIONS UNLESS OTHERWISE SPECIFIED DO NOT SCALE DRAWING		.093/(2.36) DIA. PIN FOR P.C. BOARD MOUNTING	
		MOLEX INCORPORATED LISLE, ILL. 60532 U.S.A.		DATE 90/6/19	
		PART NO. 16-06-0005		ENG. NO. SDSP-575-125	
		DRWG BY TRM APP'D BY GWF		CHK'D BY RW SCALE 8X1	
		ATWB		THIS DRAWING CONTAINS INFORMATION THAT IS PROPRIETARY TO MOLEX INC. AND SHOULD NOT BE USED WITHOUT WRITTEN PERMISSION.	