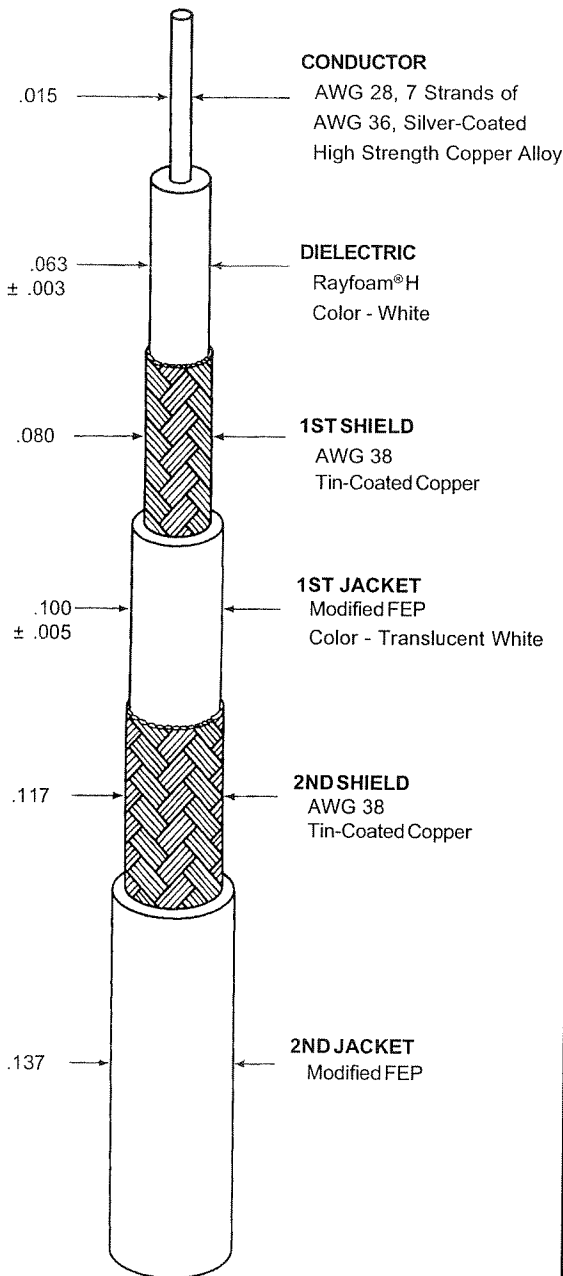


THIS SPECIFICATION SHEET FORMS A PART OF THE LATEST ISSUE OF RAYCHEM SPECIFICATION 1200.

CONSTRUCTION DETAILS

DIMENSIONS ARE NOMINAL VALUES IN INCHES UNLESS OTHERWISE DESIGNATED.



Outer jacket will be translucent white (designated by a "-9X" appended to the part number, e.g., 7528J5424-9X), unless otherwise specified.

Designate outer jacket color with a dash number in accordance with MIL-STD-681.

ELECTRICAL CHARACTERISTICS

CHARACTERISTIC IMPEDANCE	75 ± 3 ohms, Method B
CAPACITANCE	17.8 pF/ft. (nominal) at 1 kHz 19.0 pF/ft. (maximum) at 1 kHz
VELOCITY OF PROPAGATION	77% (nominal)
ATTENUATION	2.3 dB/100 ft. (nominal) at 10 MHz 5.2 dB/100 ft. (nominal) at 50 MHz 7.5 dB/100 ft. (nominal) at 100 MHz 10.7 dB/100 ft. (nominal) at 200 MHz 21.3 dB/100 ft. (nominal) at 700 MHz 26.0 dB/100 ft. (nominal) at 1000 MHz

ADDITIONAL REQUIREMENTS

ELECTRICAL

CONDUCTOR RESISTANCE	74.0 ohms/1000 ft. (nominal)
INSULATION RESISTANCE (CONDUCTOR TO SHIELD)	10,000 megohms (minimum) for 1000 ft.
JACKET FLAWS	
SPARK TEST	1.0 kV (rms)
IMPULSE TEST	6.0 kV (peak)
VOLTAGE WITHSTAND (DIELECTRIC)	
CONDUCTOR TO SHIELD	1000 volts (rms) (minimum)
SHIELD TO SHIELD	500 volts (rms) (minimum)

ENVIRONMENTAL

FLAMMABILITY	Method B
HEAT SHOCK	225°C
LOW TEMPERATURE- COLD BEND	-55°C/3.75 inch mandrel
VOLTAGE WITHSTAND (POST ENVIRONMENTAL)	1000 volts (rms), 1 minute

PHYSICAL

INSULATION (DIELECTRIC)	
ELONGATION	50% (minimum)
TENSILE STRENGTH	600 lbf/in ² (minimum)
JACKET (EACH)	
ELONGATION	200% (minimum)
TENSILE STRENGTH	2000 lbf/in ² (minimum)
JACKET THICKNESS (EACH)	.010 inch (nominal)
SHIELD COVERAGE (EACH)	90% (minimum)

WEIGHT	18.4 lbs/1000 ft. (nominal)
--------	-----------------------------