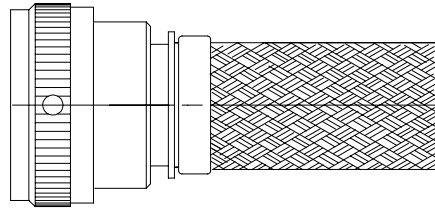


| REVISIONS | | | |
|-----------|-------------------------|------|----------|
| LTR | DESCRIPTION | DATE | APPROVED |
| C | REVISED PER ECN AD93032 | | |



CODE 51, SHIELDED STRAIGHT ADAPTER

NOTES:

1. THIS PRODUCT IS DESIGNED TO TERMINATE A HEAT SHRINKABLE LIPPED BOOT TO A CONNECTOR.
2. FOR ADDITIONAL DIMENSIONS, ORDERING INFORMATION AND MODIFICATIONS, SEE CH00-0250-004.
3. ADAPTER TO BE PERMANENTLY MARKED WITH CODE IDENT. NO. AND PART NO. (E.G.: 06090-207M012-19C06).
- ④ BRAID TERMINATION RING MAY BE SUPPLIED AS TINEL-LOCK SHAPE MEMORY RING AT MANUFACTURER'S OPTION.
- ⑤ ADAPTER MATES TO MIL-C-26500 (CLASS F,G & R) AND MIL-C-3800 CONNECTORS.
- ⑥ ANTI-ROTATIONAL SET SCREW, THREE THREADED HOLES 120° ± 5° APART, SINGLE MATING SET SCREW SUPPLIED: AN565DC4H2.

If this document is printed it becomes uncontrolled.
Check with document control for latest revision.

SPECIFICATION CONTROL DRAWING

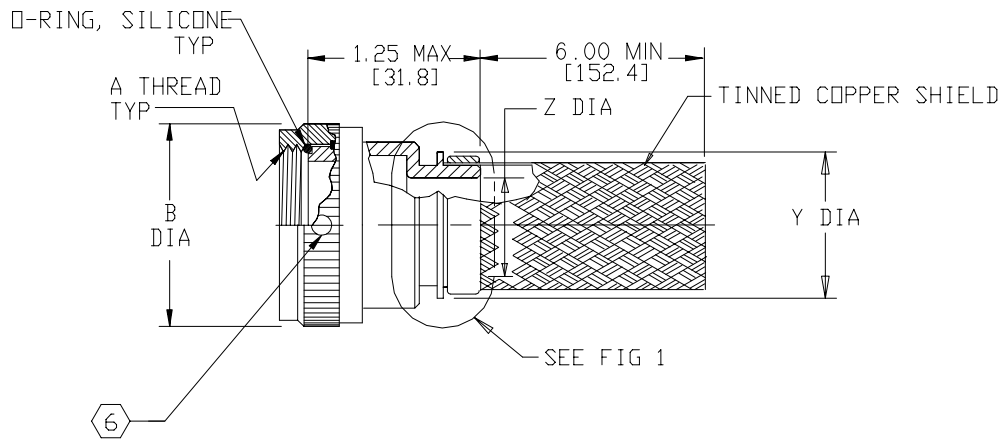
UNLESS OTHERWISE SPECIFIED DIMENSIONS ARE IN INCHES. METRIC DIMENSIONS ARE IN BRACKETS.

DECIMALS
 .XXX ± — [mm]
 .XX ± — [mm]
 .X ± — [mm]

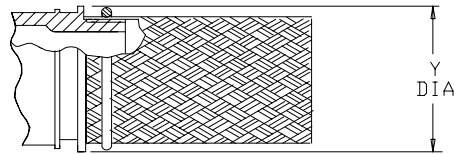
ANGLES
 .X ± —

| | |
|--------------------------|------------------|
| DRAWN J. BITTER | DATE 08-11-93 |
| CHECKED | DATE |
| APPROVED | DATE |
| APPROVED | DATE |
| CAD NAME \ACAD12\207M0XX | |
| THIRD ANGLE PROJECTION | |

| | | | |
|---|--------------------------|---|----------|
| Raychem | | RAYCHEM CORPORATION 300 CONSTITUTION DRIVE MENLO PARK, CALIFORNIA 94025 | |
| TITLE ADAPTER, SHIELD, STRAIGHT CODE 51 | | | |
| SIZE A | CODE IDENT. NO. 06090 | DWG. NO. 207M0XX | REV C |
| DO NOT SCALE THIS DWG | | SHEET 1 OF 3 | |



STRAIGHT ADAPTER




TINEL-LOCK TERMINATION

FIG 1 (4)

If this document is printed it becomes uncontrolled.
 Check with document control for latest revision.

| | | | |
|-----------------------|-----------------|---------------------------|--------------|
| SIZE | CODE IDENT. NO. | DWG. NO. | REV |
| A | 06090 | 207M0XX | C |
| DO NOT SCALE THIS DWG | | CAD NAME \ACAD12\207M0X-2 | SHEET 2 OF 3 |

| TABLE I | | | | | | |
|---------------------|--|---------------|-------------------------|------------------|------------------|--|
| BASE PART NO. | SHELL SIZE  | ENTRY SIZE | A THREAD CLASS 2B | B DIA MAX | Y DIA REF | Z DIA $\pm .020$ [± 0.52] |
| 207M008 | 8 | 04 | .438-28 UNEF | .781 [19.84] | 4.57 [11.61] | .250 [6.35] |
| 207M010 | 10 | 05 | .562-24 UNEF | .906 [23.02] | .519 [13.18] | .312 [7.92] |
| 207M012 | 12 | 06 | .750-20 UNEF | 1.094 [27.79] | .582 [14.78] | .375 [9.53] |
| 207M014 | 14 | 08 | .812-20 UNEF | 1.156 [29.36] | .707 [17.96] | .500 [12.70] |
| 207M016 | 16 | 10 | .938-20 UNEF | 1.281 [32.54] | .832 [21.13] | .525 [13.34] |
| 207M018 | 18 | 12 | 1.062-18 UNEF | 1.406 [35.71] | .957 [24.31] | .750 [19.05] |
| 207M020 | 20 | 12 | 1.188-18 UNEF | 1.531 [38.89] | .957 [24.31] | .750 [19.05] |
| 207M022 | 22 | 16 | 1.312-18 UNEF | 1.656 [42.06] | 1.207 [30.66] | 1.000 [25.40] |
| 207M024 | 24 | 16 | 1.438-18 UNEF | 1.781 [45.24] | 1.207 [30.66] | 1.000 [25.40] |

If this document is printed it becomes uncontrolled.
Check with document control for latest revision.

| | | | |
|-----------------------|-----------------|---------------------------|--------------|
| SIZE | CODE IDENT. NO. | DWG. NO. | REV |
| A | 06090 | 207M0XX | C |
| DO NOT SCALE THIS DWG | | CAD NAME \ACAD12\207M0X-3 | SHEET 3 OF 3 |