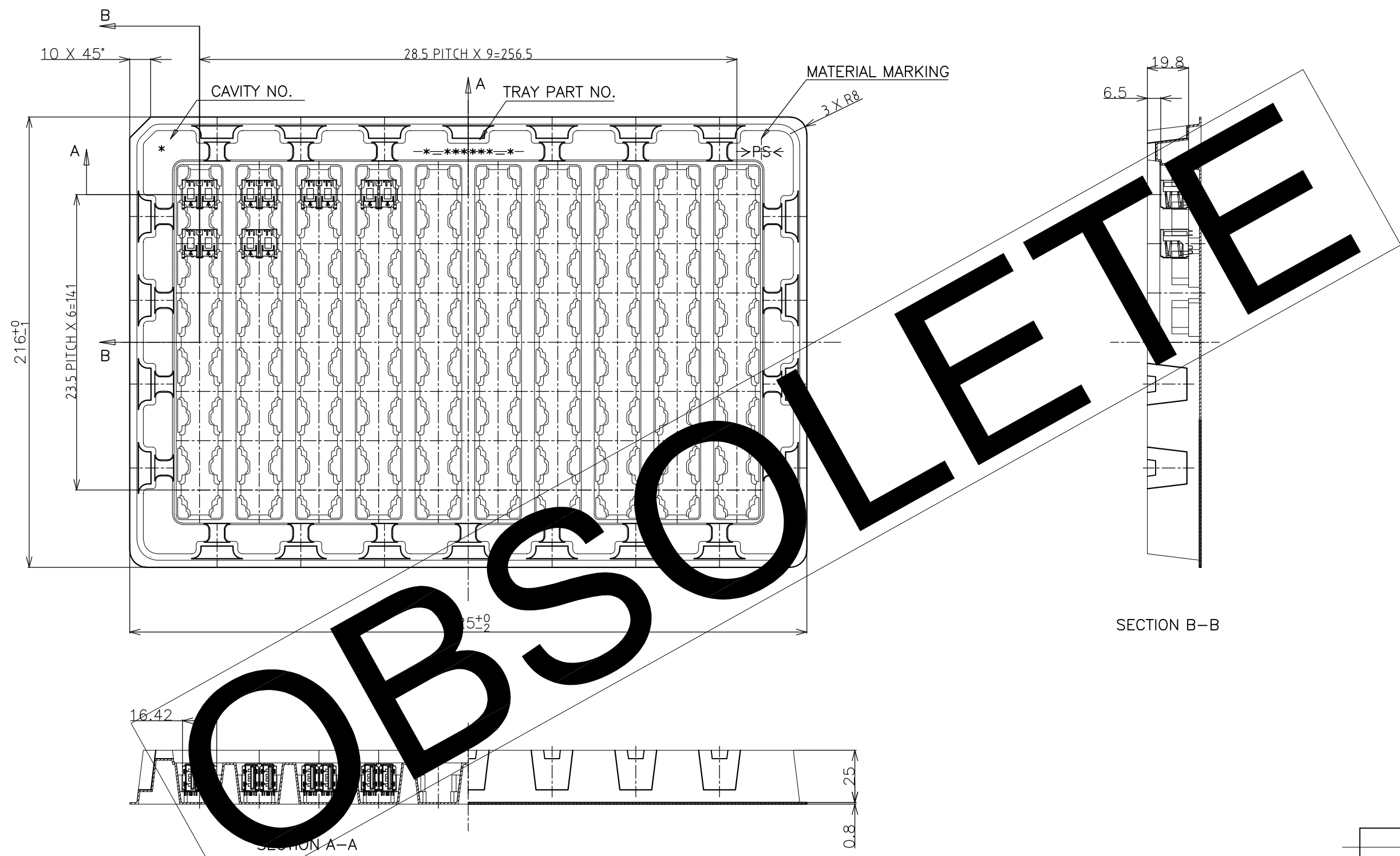


THIS DRAWING IS UNPUBLISHED. RELEASED FOR PUBLICATION  
 © COPYRIGHT 2001 BY TYCO ELECTRONICS CORPORATION. ALL RIGHTS RESERVED.

LOC ES	DIST /	REVISIONS		
P	LTR	DESCRIPTION	DATE	DWN APVD
	A1	ECR-15-009556	23SEP2015	B.L H.W



1674457-2  
 PART NO.

THIS DRAWING IS A CONTROLLED DOCUMENT.		DWN B.WONG	14FEB06	 Tyco Electronics Corporation Shanghai, P.R.China, 200233
DIMENSIONS: MM		CHK G.ZHANG	14FEB06	
TOLERANCES UNLESS OTHERWISE SPECIFIED:		APVD S.YAO	14FEB06	
0 PLC ± 0.3 1 PLC ± 0.3 2 PLC ± 0.3 3 PLC ± 0.3 4 PLC ± 0.3 ANGLES ± 3°		NAME		
MATERIAL		FINISH		HARD TRAY ASSY USB CONNECTOR 2P
		PRODUCT SPEC APPLICATION SPEC		SIZE A3
WEIGHT CUSTOMER DRAWING		CAGE CODE 00779		DRAWING NO C-1674457
		RESTRICTED TO		SCALE NTS
		SHEET 1 OF 3		REV A1

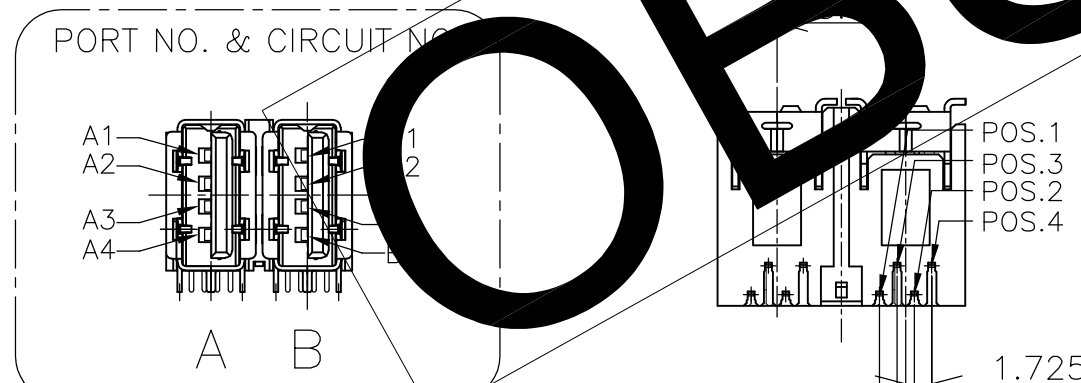
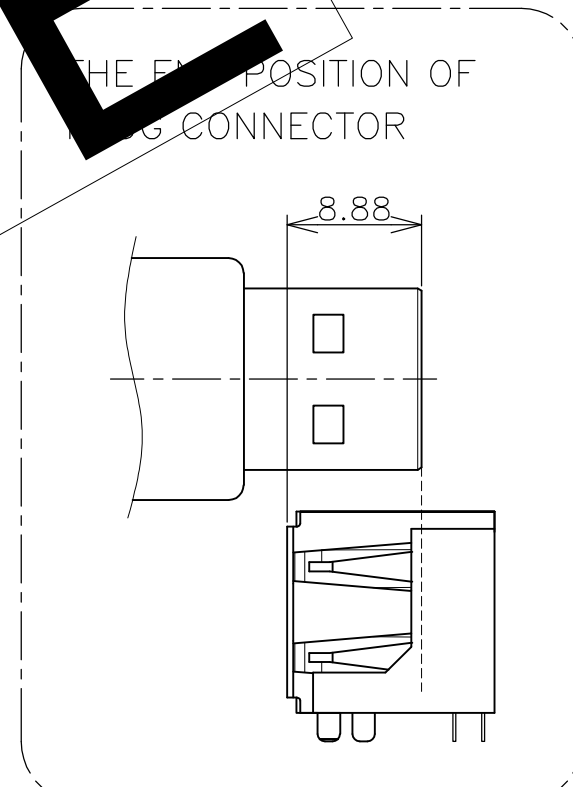
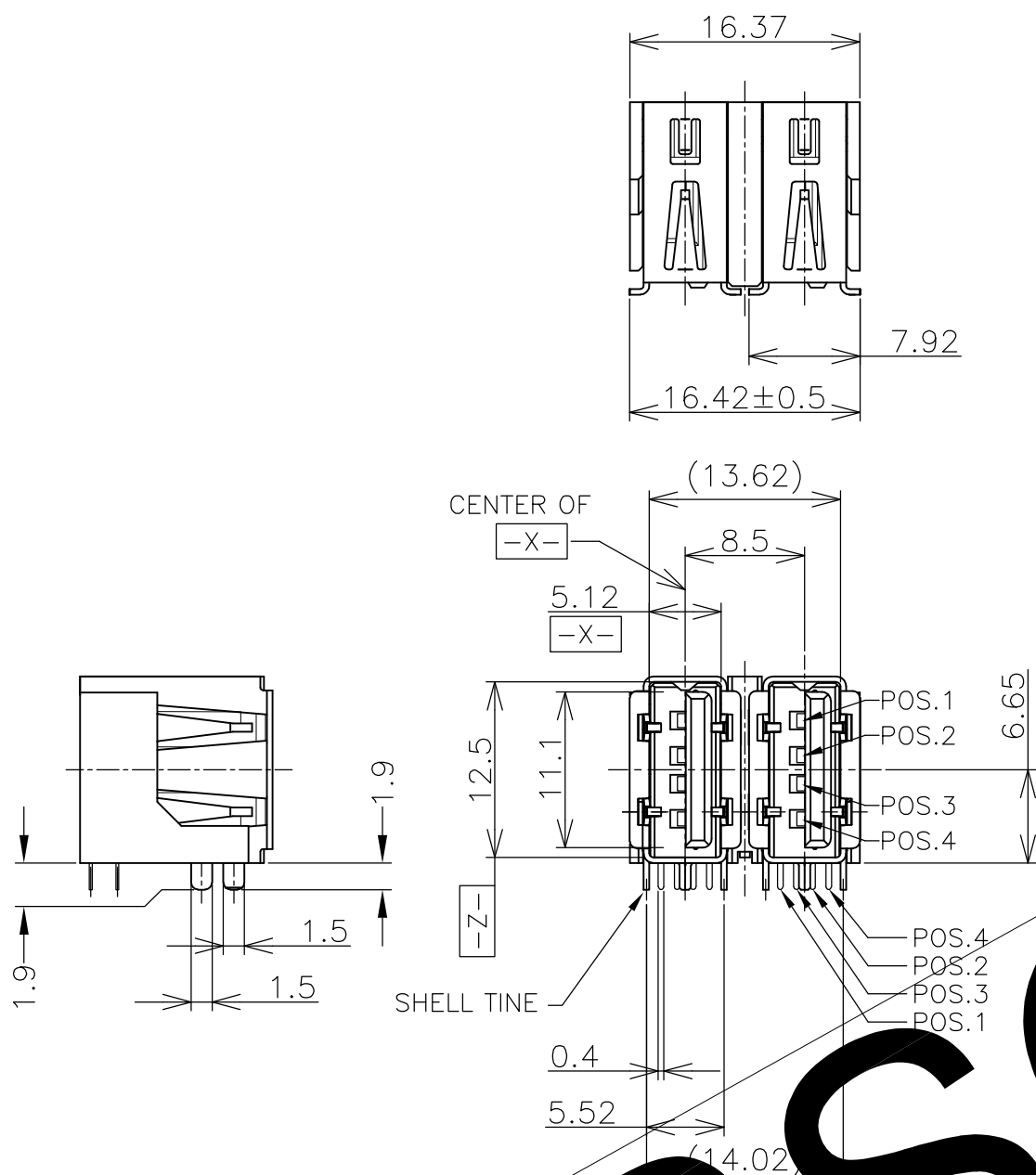
THIS DRAWING IS UNPUBLISHED. RELEASED FOR PUBLICATION

© COPYRIGHT 2001 BY TYCO ELECTRONICS CORPORATION. ALL RIGHTS RESERVED.

LOC ES DIST

REVISIONS

P	LTR	DESCRIPTION	DATE	DWN	APVD
-	-	SEE SHEET 1	-	-	-

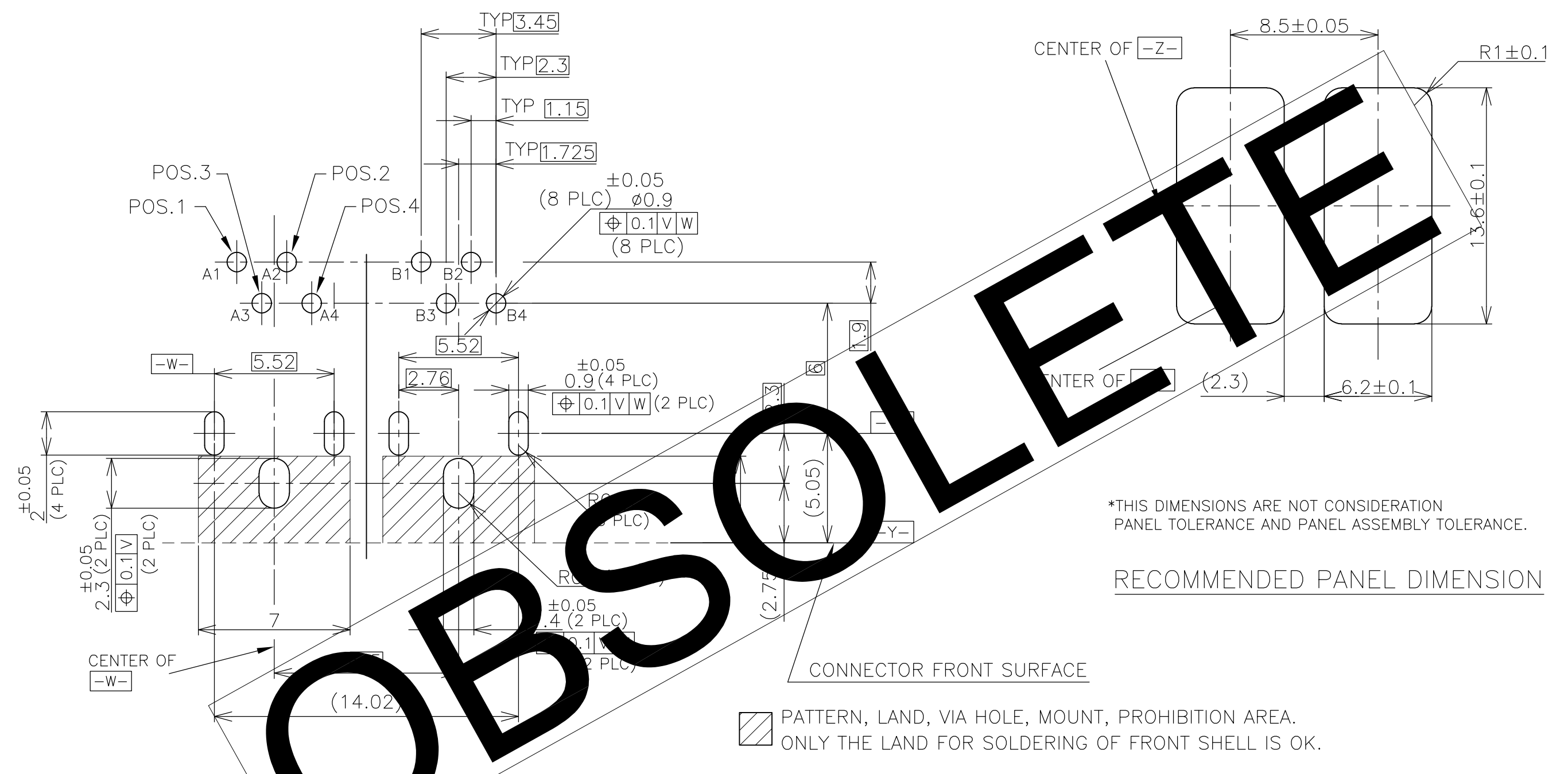


OBSOLETE

THIS DRAWING IS A CONTROLLED DOCUMENT.		DWN	Tyco Electronics Corporation Shanghai, P.R.China, 200233		
DIMENSIONS: MM		CHK	NAME		
TOLERANCES UNLESS OTHERWISE SPECIFIED: 0 PLC ± 0.3 1 PLC ± 0.3 2 PLC ± 0.3 3 PLC ± 0.3 4 PLC ± 0.3 ANGLES ± 3°		APVD	HARD TRAY ASSY USB CONNECTOR 2P		
MATERIAL		PRODUCT SPEC	SIZE	CAGE CODE	DRAWING NO
FINISH		APPLICATION SPEC	A3	00779	C-1674457
		WEIGHT	RESTRICTED TO		
		CUSTOMER DRAWING	SCALE	SHEET	REV
			5:1	2 OF 3	A1

THIS DRAWING IS UNPUBLISHED. RELEASED FOR PUBLICATION  
 © COPYRIGHT 2001 BY TYCO ELECTRONICS CORPORATION. ALL RIGHTS RESERVED.

LOC	DIST	REVISIONS			
P	LTR	DESCRIPTION	DATE	DWN	APVD
ES	/	SEE SHEET 1	-	-	-



RECOMMENDED LAYOUT OF P.C.B  
 (CONNECTOR MOUNTING SIDE)  
 RECOMMENDED THICKNESS: 1.0~1.2mm

PATTERN, LAND, VIA HOLE, MOUNT, PROHIBITION AREA.  
 ONLY THE LAND FOR SOLDERING OF FRONT SHELL IS OK.

THIS DRAWING IS A CONTROLLED DOCUMENT.		DWN		Tyco Electronics Corporation Shanghai, P.R.China, 200233	
DIMENSIONS: MM		CHK		NAME	
TOLERANCES UNLESS OTHERWISE SPECIFIED: 0 PLC ± 0.3 1 PLC ± 0.3 2 PLC ± 0.3 3 PLC ± 0.3 4 PLC ± 0.3 ANGLES ± 3°		APVD		HARD TRAY ASSY USB CONNECTOR 2P	
MATERIAL		PRODUCT SPEC		SIZE CAGE CODE DRAWING NO RESTRICTED TO	
FINISH		APPLICATION SPEC		A3 00779 C-1674457	
		WEIGHT		CUSTOMER DRAWING SCALE 5:1 SHEET 3 OF 3 REV A1	