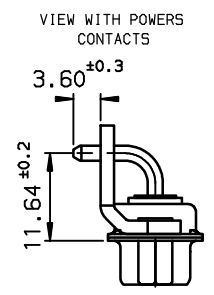
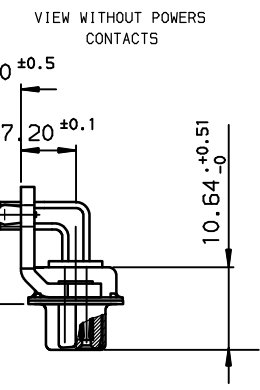
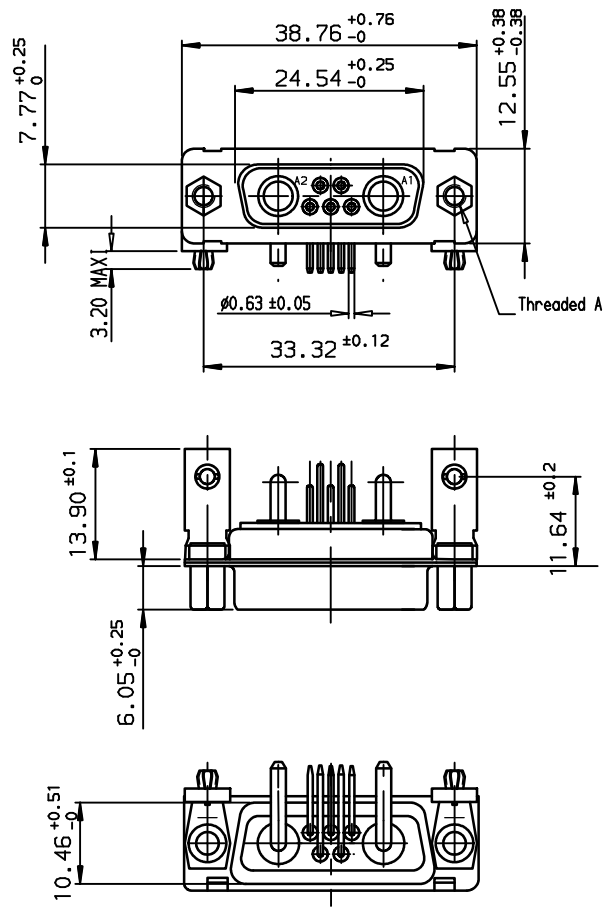
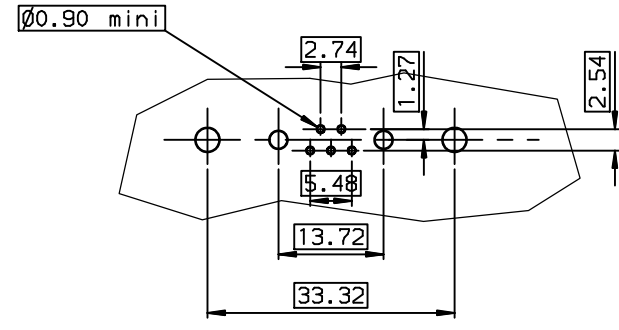




Copyright FCI.



TIN LEAD PART NUMBER

DAV7W2S500G30	UNC 4.40
DAI7W2S500G30	M3
PART NUMBER	Threaded A

LEAD FREE PART NUMBER

DAV7W2S500G30LF	UNC 4.40
DAI7W2S500G30LF	M3
PART NUMBER	Threaded A

GENERAL CHARACTERISTICS AND ROHS INFORMATIONS:
SEE DRAWING C01-8639-0000

European Views

www.fciconnect.com		surface ISO 1302 ✓	tolerance std ISO 406 ISO 1101	projection mm
TOLERANCES UNLESS OTHERWISE SPECIFIED				
Dr	JARRY	1998/06/02	ANGULAR	LINEAR
Eng	PESSON	1998/06/02	0.X	±0.1
Chr	LEGARE	1998/06/02	0.XX	±0.1
Appr	LEGARE	1998/06/02	0.XXX	±0.1
Product family			D-SUB	Spec ref -
FCI title SOCKET CONNECTOR RIGHT ANGLED WITH POWERS CONTACTS				size A3 Scale 1.5 ECN L506-0095 Spec ref -
catalog no -			C01-8639-0709_637 Rev. D CUSTOMER sheet 1 of 1	

rev	ecn no	dr	date
B	-	DEB	2003/10/21
C	LS05-001	MPE	2005/03/08
D	LS06-0095	LGO	2006/07/20
-	-	-	-
-	-	-	-
-	-	-	-