

Precision Test Adapters

2.92 mm(F) to SMPM(F)

Withwave's Precision Test Adapters are designed based on precision microwave interconnection technologies. **This 2.92 mm(F) to SMPM(F)** adapter is manufactured to precise microwave specifications and constructed with female gender on side 1 and female gender side 2. The precision microwave connector interfaces ensure an excellent microwave performance up to 40 GHz



■ Features

- Frequency range : DC to 40 GHz
- VSWR : 1.20 : 1(Max) @ 40 GHz
- Stainless steel (passivated)

■ Specification

Scope	Specification	AD03F17FS1
Electrical	Impedance(Ohm)	50
	Operation Freq.(GHz)	DC to 40 GHz
	VSWR (Max)	1.20: 1 @ 40 GHz
Material	Dielectric	Special dielectric
	Center Contact	Beryllium copper with gold plated
	Body	Passivated Stainless Steel

* RoHS Compliant

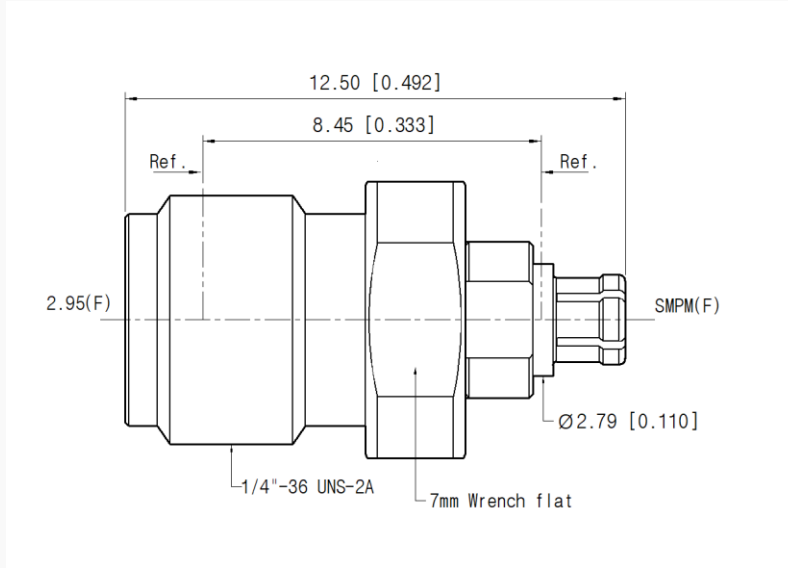
Precision Test Adapters

2.92 mm(F) to SMPM(F)

■ Drawing

Part No.: AD03F17FS1

Unit : mm



■ Test Result

▪ Frequency : 10 MHz to 40 GHz

