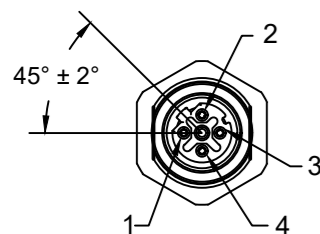


FRONT VIEW-FEMALE



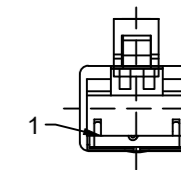
- 1-WHITE/ORANGE
- 2-WHITE/GREEN
- 3-ORANGE
- 4-GREEN

NOTES:

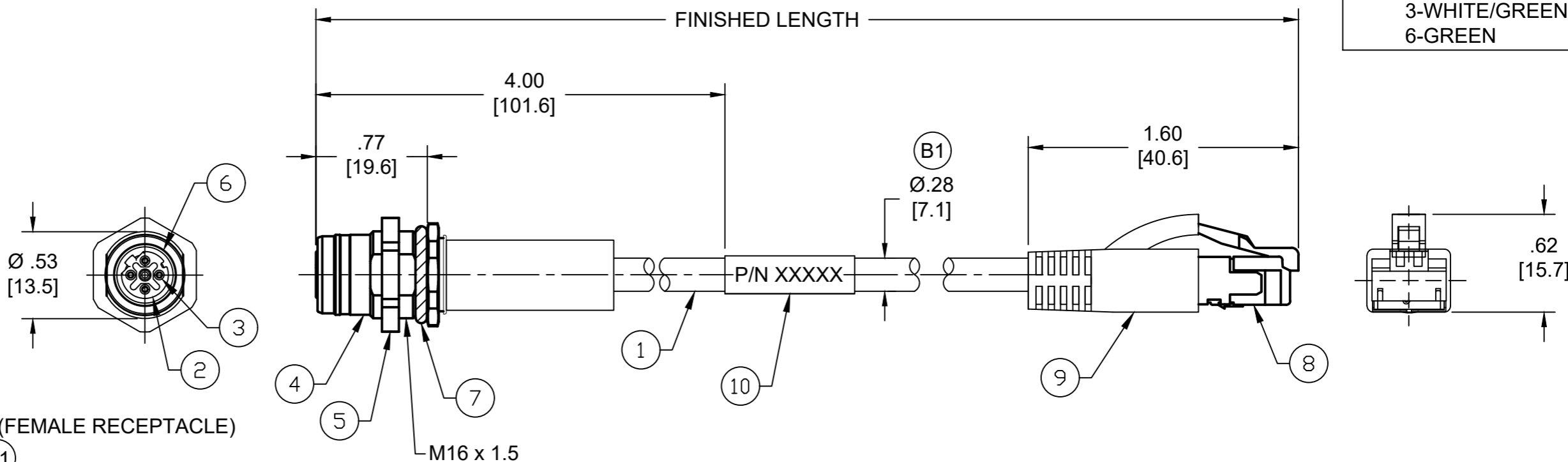
1. MATERIAL: AS NOTED
2. FINISH: AS NOTED
3. ELECTRICAL:  
VOLTAGE: 125V AC/DC (B1)  
CURRENT: 1.5A
4. TEMP RATING: -20°TO +75°C (B1)
5. PROTECTION: IP67 WHEN MATED (FEMALE RECEPTACLE)
6. UL RECOGNIZED FILE: E200650 (B1)
7. ALL DIMENSIONS ARE FOR REFERENCE UNLESS TOLERANCED OR NOTED OTHERWISE

MATERIAL NUMBER	ENGINEERING NUMBER	FINISHED LENGTH
1201080348	ERWPAU7006M003	0.3M [1FT]
1201080313	ERWPAU7006M020	2M[6FT 7 IN]
1201080372	ERWPAU7006M050	5M[16FT 5 IN]

FRONT VIEW - MALE RJ45



- 1-WHITE/ORANGE
- 2-ORANGE
- 3-WHITE/GREEN
- 6-GREEN

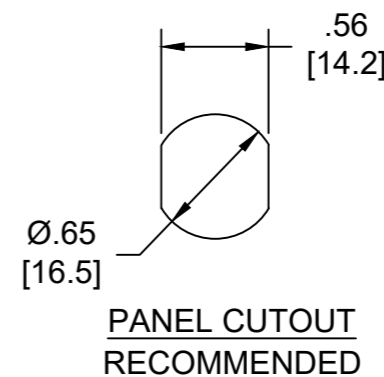


ITEM	DESCRIPTION	MATERIAL	FINISH
10	WRAP LABEL	VINYL	BLACK/WHITE
9	RJ45 BOOT, HOODED	PVC	BLACK
8	RJ45 PLUG	POLYCARBONATE	TRANSPARENT
7	GASKET	FPM	RED
6	O-RING	NITRILE	BLACK
5	PANEL NUT	BRASS	NICKEL PLATED
4	RECEPTACLE SHELL	BRASS	NICKEL PLATED
3	CONTACT SOCKET	COPPER ALLOY	GOLD/NICKEL PLATED
2	FEMALE INSERT	PUR	BLACK
1	CABLE, ETHERNET, 24 AWG	TPE JACKET	BLUE

PART NUMBER LEGEND

ERWPAU7006M003

FINISHED LENGTH  
M003 - 0.3 METER  
M010 - 1 METER  
M200 - 20 METER



(B1)

CABLE LENGTH TOLERANCES

<.3M [1FT]:	+19mm-0 [+ .75in-0]
.3 - .9M [1 - 3FT]:	+44.5mm-0 [+1.75in-0]
.9 - 1.8M [3 - 6FT]:	+55.6mm-0 [+2.19in-0]
1.8 - 3.7M [6 - 12FT]:	+88.9mm-0 [+3.50in-0]
3.7 - 7.3M [12 - 24FT]:	+165.1mm-0 [+6.50in-0]
7.3-14.6M [24 - 48FT]:	+317.5mm-0 [+12.50in-0]
14.6 - 30.5M [48-100FT]:	+622.3mm-0 [+24.50in-0]
OVER 30M [100FT]:	+2% OF FINISHED LENGTH

FUNCTIONAL SYMBOLS	THIS DRAWING CONTAINS INFORMATION THAT IS PROPRIETARY TO MOLEX ELECTRONIC TECHNOLOGIES, LLC AND SHOULD NOT BE USED WITHOUT WRITTEN PERMISSION		CURRENT REV DESC: ADDED BOM LIST, TEMP RATING, UL NUMBER, CABLE DIA, MATERIAL NUMBER & TOL CHART.	
$F=0$	DIMENSION UNITS	SCALE	EC NO: 703079	
$F=0$	INCH/MM	NTS	DRWN: ABENJAMINLW	2021/11/03
$F=0$	GENERAL TOLERANCES (UNLESS SPECIFIED)		CHK'D: RSTONE	2022/04/12
DIVISIONAL SYMBOLS	mm	INCH	APPR: BWOODMAN	2022/04/18
4 PLACES	±---	±---	INITIAL REVISION:	
3 PLACES	±---	±---	DRWN: BARDEN	2013/04/17
2 PLACES	±---	±---	APPR: JFMURPHY	2013/04/18
1 PLACE	±---	±---	DOCUMENT NUMBER	
0 PLACES	±---	±---	SD-120108-055	
ANGULAR TOL ± --- °	THIRD ANGLE PROJECTION		DOC TYPE	DOC PART
DRAFT WHERE APPLICABLE MUST REMAIN WITHIN DIMENSIONS	DRAWING		PSD	001
	SERIES		001	B1
	MATERIAL NUMBER		SHEET NUMBER	
	SEE CHART		1 OF 1	
	CUSTOMER			
	GENERAL MARKET			