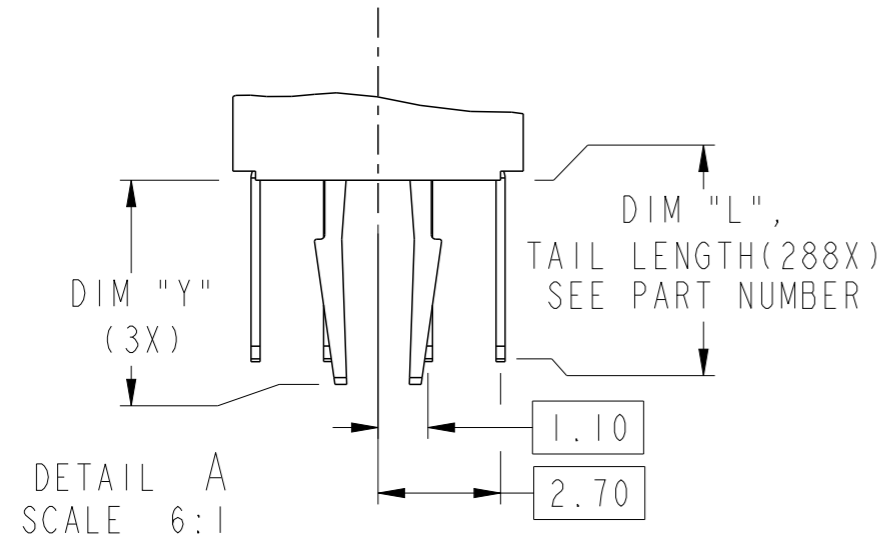
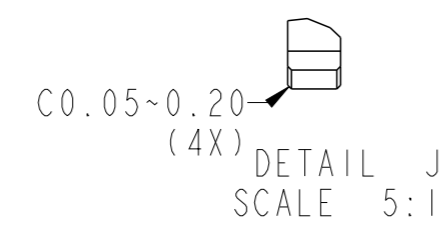
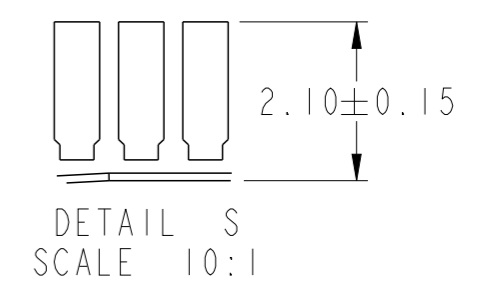
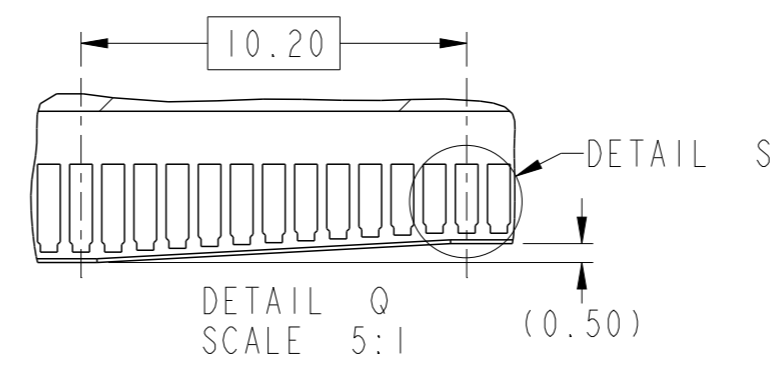
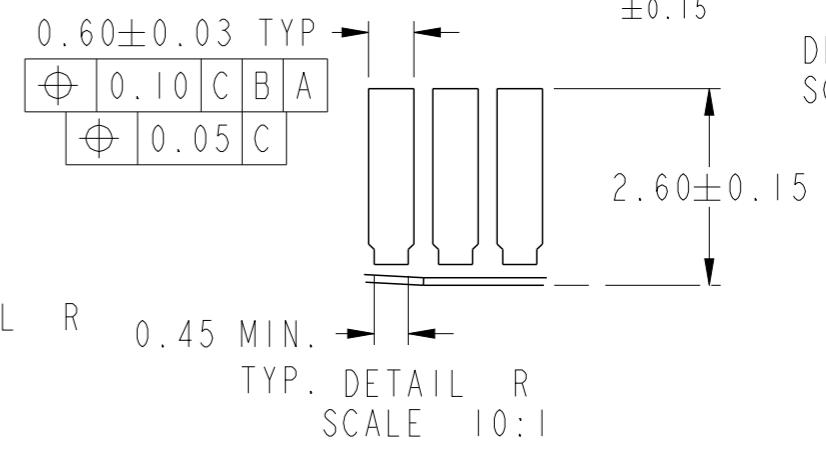
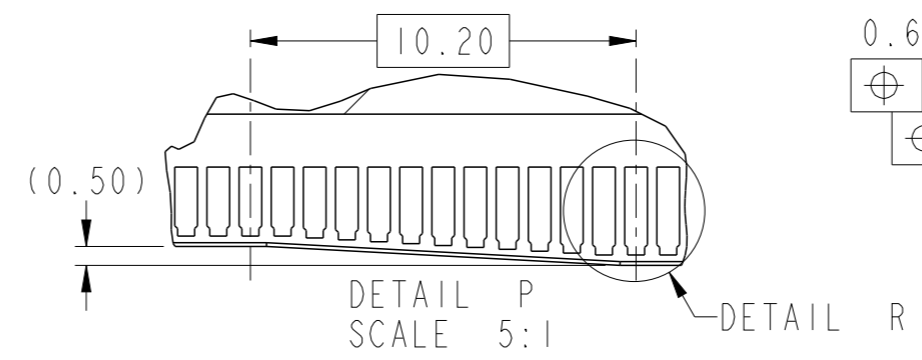
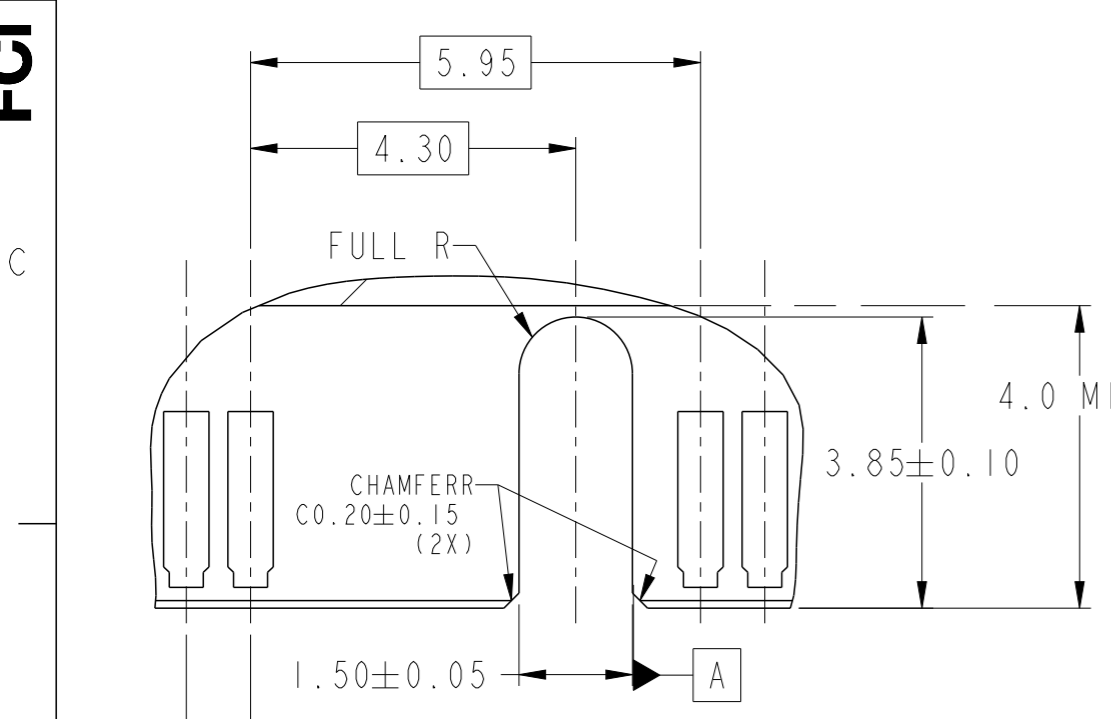
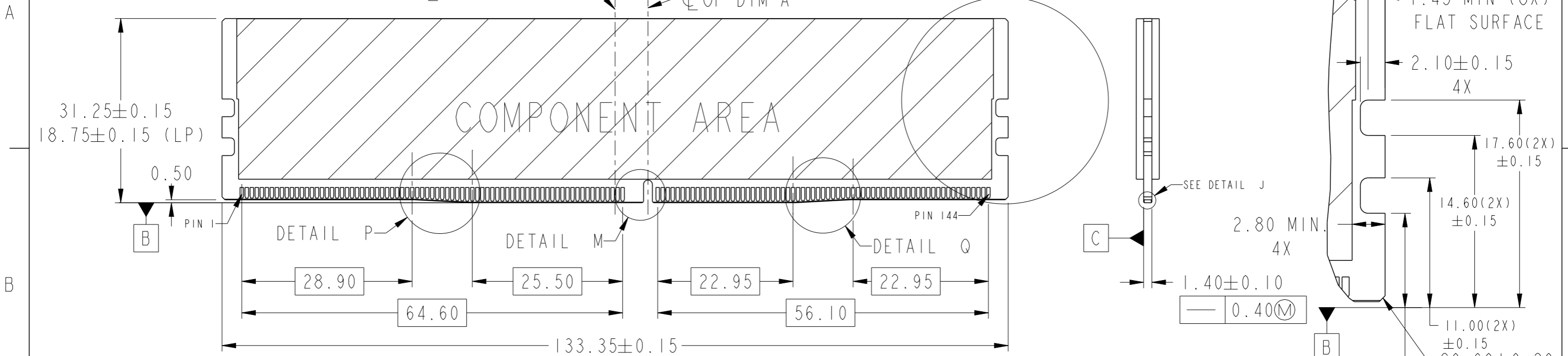


SECTION A-A
 SCALE 2:1



spec ref	dr	Art Lin	2014/07/08	projection	MM	size	A3	scale	2:1
tolerance std	eng	Girder Liang	2019/03/26			ecn no	ELX-DG-33011-1		
TOLERANCES UNLESS OTHERWISE SPECIFIED						product family	-	rel level	Released
surface	chr	Nickor Zuo	2019/03/29	Amphenol FCI		dwg no	10129206		rev
ASME Y14.5	appr			www.fci.com		cat. no.	-	Product - Customer Drw	sheet 1 of 4
	linear	0.X	±0.30	DDR4 288P DIMM CONNECTOR					
		0.XX	±0.20	ULP TH 0.85mm PITCH					D
	angular	0°	±2°	PDS: Rev :D				STATUS:Released	Printed: Mar 29, 2019

DDR4 MODULE
 MORE INFORMATION REFER TO JEDEC MO-309



spec ref	dr	Art Lin	2014/07/08	projection	MM	size	A3	scale	3:2		
tolerance std	eng	Girder Liang	2019/03/26			ecn no	ELX-DG-33011-1	rel level	Released		
ASME Y14.5	chr	-	-								
TOLERANCES UNLESS OTHERWISE SPECIFIED				product family	-	-					
surface	linear	0.X	±0.30			DDR4 288P DIMM CONNECTOR ULP TH 0.85mm PITCH		dwg no	10129206	rev	D
		0.XX	±0.20	www.fci.com		cat. no.		Product - Customer Drw		sheet 2 of 4	
		0.XXX	±0.10								
ASME Y14.5	angular	0°	±2°								

© 2016 AFCI
 Amphenol FCI

PRODUCT PART NUMBER

10129206-□□□□□□□□

DIM "H", "XI"

- 0: H=19.3 MAX, XI=156 MAX.(WITH THE SOFT TRAY PACKING)
- 1: H=13.1 MAX, XI=152 MAX.(WITH THE SOFT TRAY PACKING)
- 2: H=19.3 MAX, XI=156 MAX.(WITH THE HARD TRAY PACKING)

DIM "Y", FORKLOCK LENGTH

- 0: 3 FORKLOCKS, DIM "Y"=4.00±0.25
- 1: 3 FORKLOCKS, DIM "Y"=4.50±0.25
- 2: 3 FORKLOCKS, DIM "Y"=3.20±0.25

DIM "L", TAIL LENGTH

- 0: 2.60±0.25
- 1: 3.20±0.25
- 2: 4.00±0.25
- 3: 2.95±0.25

HOUSING COLOR

- 0: NATURAL
- 1: BLACK
- 2: BLUE

EJECTOR COLOR

- 0: NATURAL
- 1: BLACK
- 2: BLUE

TAIL PLATING

LF: 100u" MIN. MATTE TIN

CONTACT AREA PLATING

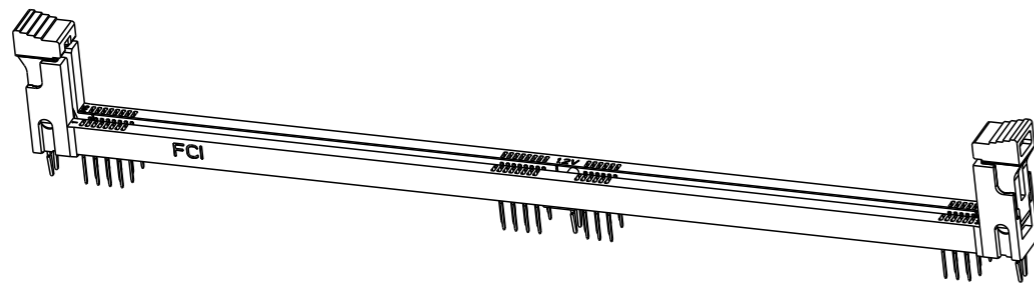
CODE	CONTACT AREA	UNDERPLATING
1	15u" MIN.GOLD	90u" MIN.NICKEL
3	30u" MIN.GOLD	

CONTACTS LUBRICATION

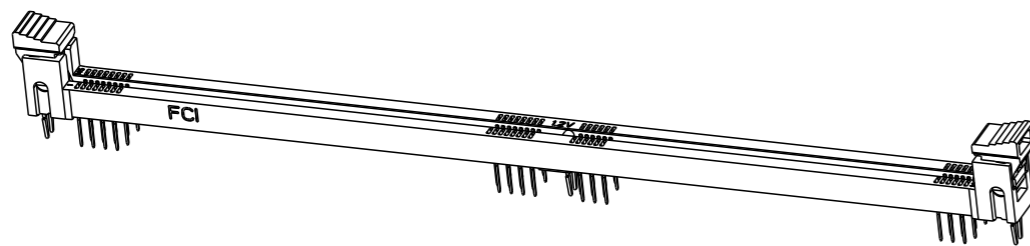
- 0: WITHOUT
- 1: WITH

NOTES:

1. MATERIALS:
HOUSING: HIGH PERFORMANCE RESINS, GLASS FILBER FILLED, UL94 V-0 RATED.
EJECTOR: HIGH PERFORMANCE RESINS, GLASS FILBER FILLED, UL94 V-0 RATED.
TERMINAL: COPPER ALLOY
FORKLOCK: COPPER ALLOY
2. DATE CODE "MMDDYYL", MMDDYY IS ASSEMBLY DATE, L IS FCI PRODUCTION LINE.
3. SPECIFICATION:
PRODUCTION SPECIFICATION: FCI GS-12-1092.
PACKAGE SPECIFICATION: FCI GS-14-2267.
APPLICATION SPECIFICATION: FCI GS-20-0353.
4. LEAD FREE PRODUCT MEETS EUROPEAN UNION DIRECTIVES AND OTHER COUNTRY REGULATIONS AS DESCRIBED IN FCI GS-22-008.
5. THIS PRODUCT WILL WITHSTAND EXPOSURE TO 260°C PEAK TEMPERATURE FOR 10 SECONDS IN WAVE SOLDERING APPLICATION.



10129206-0XXXXXXXX/2XXXXXXXX



10129206-1XXXXXXXX ✓

dr	Art Lin	2014/07/08	projection	MM	size	A3	scale	1:1	
eng	Girder Liang	2019/03/26			ecn no	ELX-DG-33011-1			
chr	-	-			rel level	Released			
appr	Nickor Zuo	2019/03/29	product family						
Amphenol FCI		DDR4 288P DIMM CONNECTOR			dwg no	10129206		rev	D
www.fci.com		cat. no.	Product - Customer Drw			sheet 4 of 4			