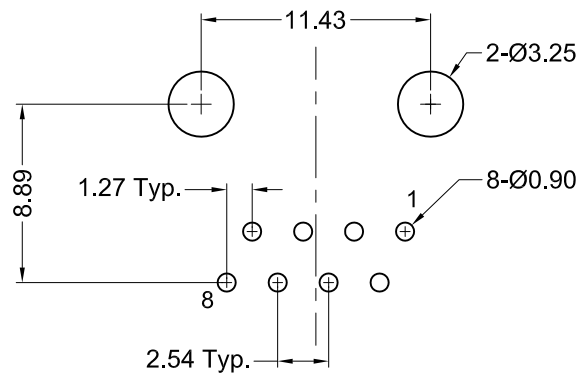


Recommended PCB Layout
(Top View)



Materials and Finish

Housing: PBT Thermoplastic
UL 94V-0 Rated
Color: Black

Contact Material:
Phosphor Bronze

Plating Options:

Standard: Nickel Underplating,
Gold Flash Plated on Contact Area,
Tin Plated on Solder Area

50 Option: Nickel Underplating,
Contact Area Plated with 50u" Gold
to Comply with ANSI/TIA-1096-A
Tin Plated on Solder Area

Electrical Characteristics

Rated Current: 1.5A
Rated Voltage: 125V DC
Insulation Resistance:
500 Megohms Min.
Contact Resistance:
20 milliohms Max.
Dielectric Withstanding Voltage:
1000V AC for 1 Minute

Mechanical Characteristics

Durability Rating:
750 Mating Cycles Min.
Operating Temperature:
-40°C to +85°C

Ordering Information

Part Number	Contact Area Plating Finish
GSX-N-88	Gold Flash (standard)
GSX-N-88-50	50u" Gold (50 option)

Tolerances

X.X ± 0.35
X.XX ± 0.25
Unless Stated
Otherwise



REV.	DATE	DESCRIPTION	REV. BY	CHK. BY	DRAWN BY	DATE
A1	6/30/05	New Drawing	R. Aguirre	H. MA	R. Aguirre	05/26/05
A2	05/13/10	ECO #10-025	S. Vien	H. MA		
A3	07/14/10	ECO #10-048	S. Vien	H. MA		
A4	07/06/12	ECO #12-039	S. Vien	P. DalCanto	UNITS	mm
A5	12/11/13	ECO #13-090	D. Gih	H. MA		
A6	07/23/15	ECO #15-001	H. MA	C. Furumasu		

GSX-N-88

Rt. Ang Modular Jack, RoHS Compliant

8 Position/ 8 Contacts, Non-Shielded

