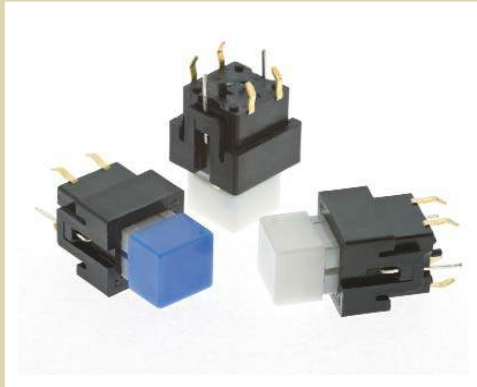


# SERIES LP15 SWITCHES



## PUSHBUTTON SWITCHES - ILLUMINATED



### FEATURES & BENEFITS

- Multiple Illumination colors
- Custom marketing options
- Multiple cap sizes

### APPLICATIONS / MARKETS

- Audio/visual
- Consumer Electronics
- Telecommunications
- Medical
- Testing/instrumentation
- Computer/servers/peripherals

### MECHANICAL SPECIFICATIONS

Operating Life:	300,000 cycles
Force:	125 ± 35 grams
Travel:	1.3mm +/- 0.3mm

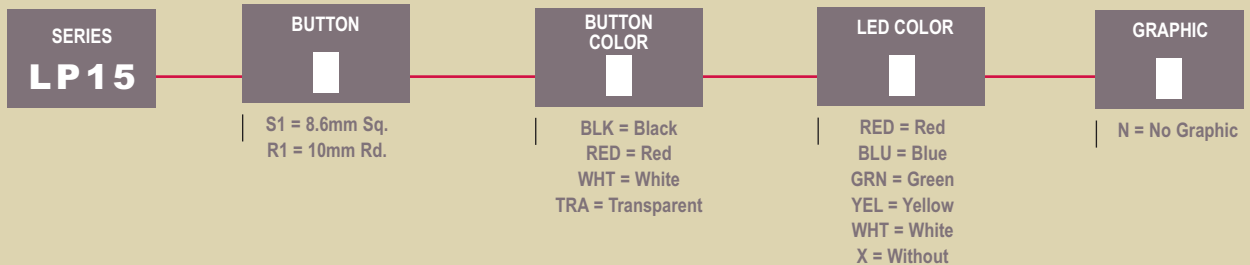
### ELECTRICAL SPECIFICATIONS

Contact Rating:	20VDC, 1mA
Contact Resistance (Initial Max.):	200 Ohms Max @ 1.5VDC
Insulation Resistance (min.@100V):	100Mega ohms Min @ 100VDC
Dielectric Strength (1 Min.):	250VAC
Contact Arrangement:	SPST, Normally Open

### ENVIRONMENTAL SPECIFICATIONS

Operating/Storage Temperature:	-20°C to +70°C
--------------------------------	----------------

### HOW TO ORDER

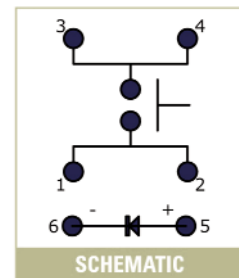
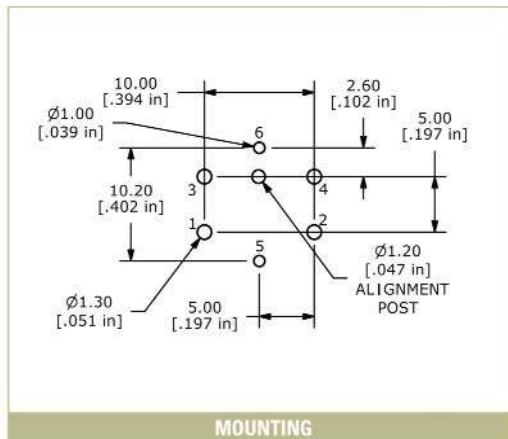


**Example Ordering Number**  
LP15 S1 WHT WHT N

Specifications subject to change without notice.

### LED Specifications

	Units	Blue	Red	Green	Yellow	White
Forward Current	mA	20mA	20mA	20mA	20mA	20mA
Forward Voltage @20mA	VDC	3.5 typ- 4.0 max	1.5 typ-2.4 max	1.7 typ-2.6 max	1.7 typ-2.6 max	3.5 typ-4.0 max
Luminous Intensity@20mA	mcd	1500 Typ	120 typ	120 typ	350 typ	2700 typ

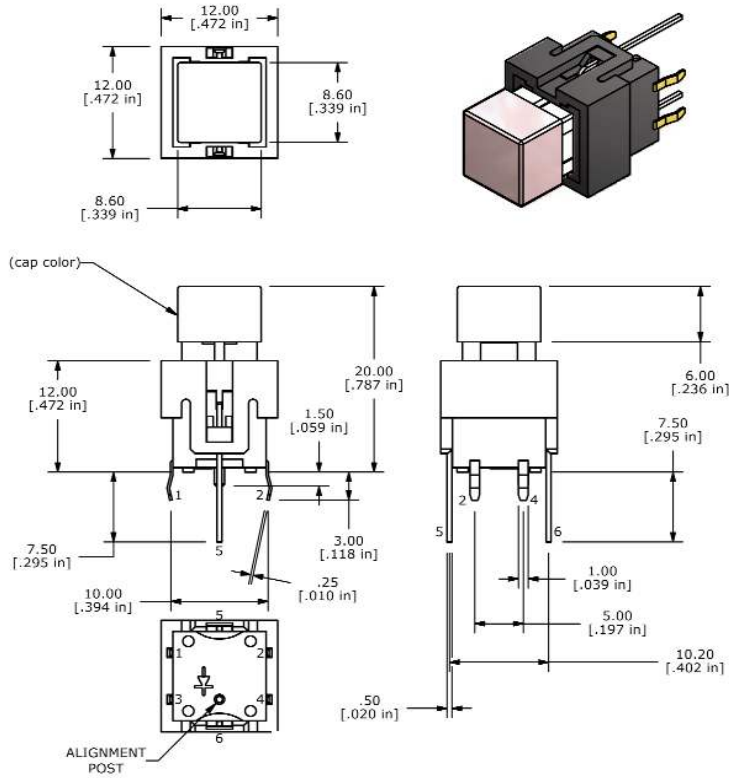


# SERIES LP15 SWITCHES



## Button Options

### S1 - 8.6mm Square



### R1 - 10mm Round

