

6

5

4

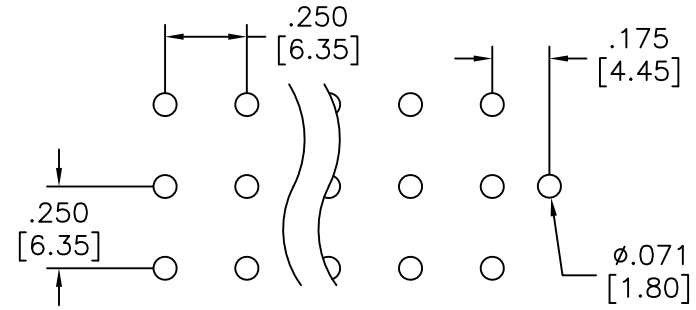
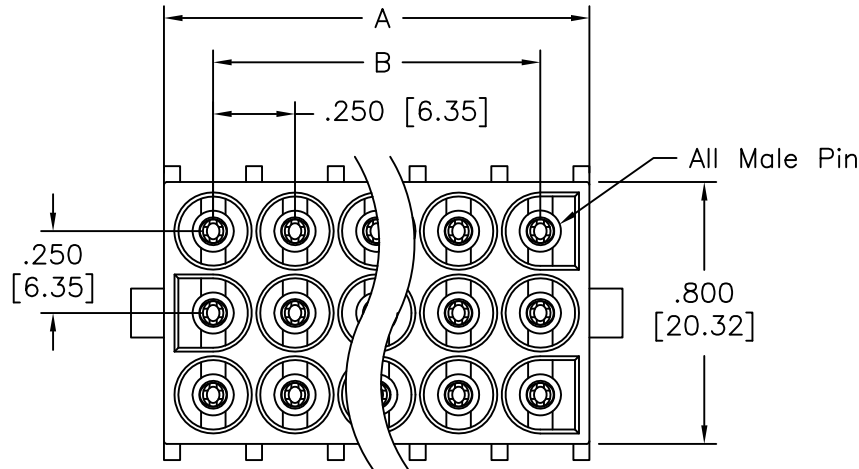
3

2

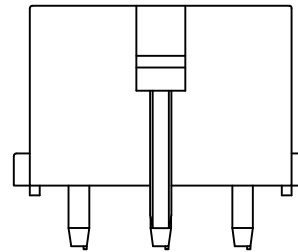
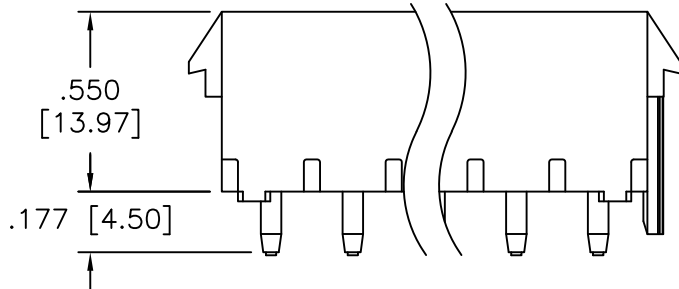
1

APPROVED: _____
DATE: _____ TITLE: _____

Rev	AWO #	Description	Date	Appr
-		RELEASED	9/05/08	
A		ADDED SPEC.	4/27/15	HR/VC



Recommended PCB Layout



SPECIFICATIONS:

Material:
 Insulator: Nylon 66, rated UL 94V-0
 Insulator color: White
 Contacts: Phosphor Bronze
 Plating:
 Tin over Nickel underplate overall
 Electrical:
 Operating voltage: 600 VAC max
 Current rating: 13 Amps max.
 Insulation resistance: 1000 Mohms min @ 500 VDC
 Dielectric withstanding voltage: 5000 VAC for 1 minute
 Mechanical:
 Temperature Rating:
 Operating temperature: -55°C to +105°C
 Environmental:
 Lead free, RoHS compliant.

A = .250 [6.35] X No. of Positions + .050 [1.27]
 B = .250 [6.35] X No. of Spaces

UNLESS OTHERWISE SPECIFIED
 ALL DIMENSIONS ARE MM [INCHES]
 TOLERANCES: EXCEPT AS NOTED

INCHES		HOLES	
.X	± .10	Ø.X	± .10
.XX	± .020	Ø.XX	± .015
.XXX	± .015	Ø.XXX	± .010

ADAM TECH
INTERCONNECTS

909 Rahway Avenue,
 Union, NJ 07083
 Phone: 908-687-5000
 Fax: 908-687-5710

TITLE: WIRE TO BOARD, FEMALE, 6.35mm PITCH WITH POLARIZING

APPROVALS		DATE
DRAWN	DY	9/05/08
CHECKED		
APPROVED		

SIZE	PART NO.	REV.
X	DME-XX-S-P-SQ-V0	A
REF: S00123T	SCALE: NTS	SHEET 1 OF 2



6

5

4

3

2

1

6

5

4

3

2

1

APPROVED: _____

DATE: _____ TITLE: _____

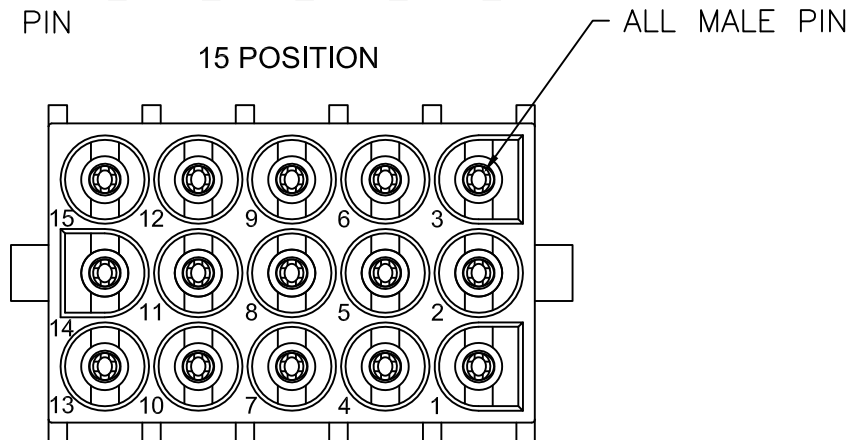
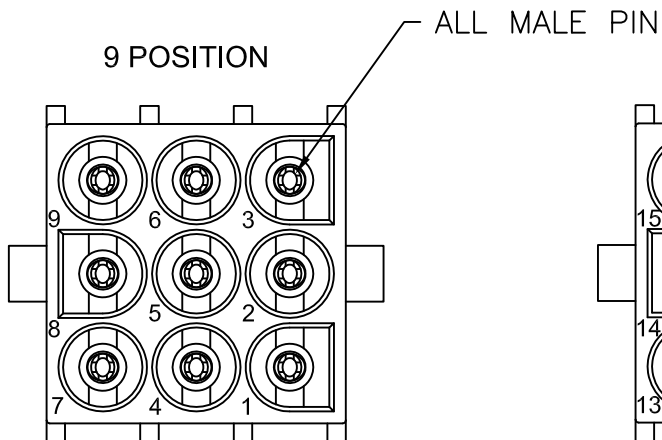
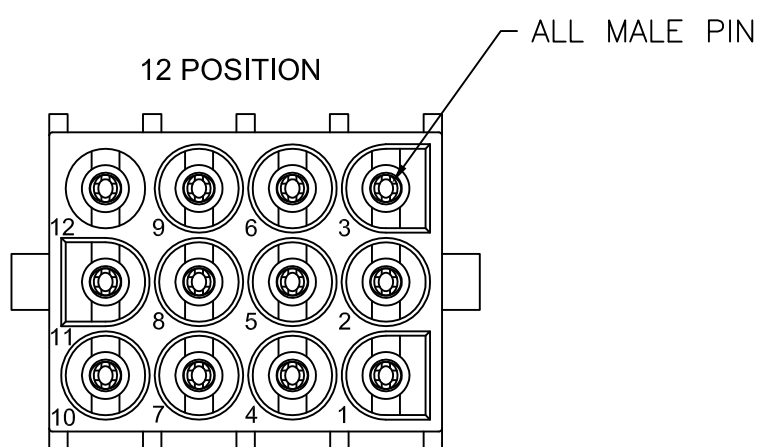
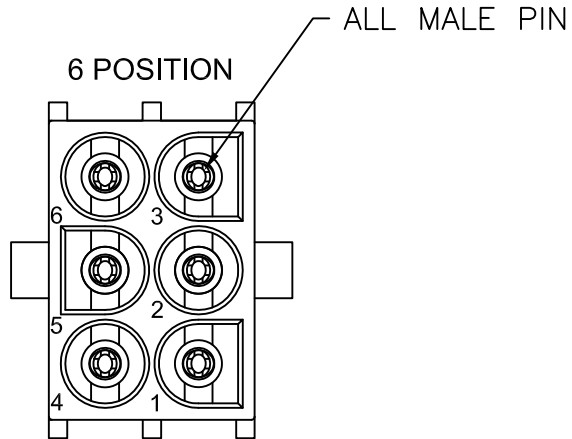
Rev	AWO #	Description	Date	Appr
SEE SHT 1 OF 2 FOR REVISION				

D

C

B

A



UNLESS OTHERWISE SPECIFIED
 ALL DIMENSIONS ARE INCHES [MM]
 TOLERANCES: EXCEPT AS NOTED
 INCHES HOLES
 .X ± .10 Ø.X ± .10
 .XX ± .020 Ø.XX ± .015
 .XXX ± .015 Ø.XXX ± .010

ADAM
TECH
INTERCONNECTS

909 Rahway Avenue,
 Union, NJ 07083
 Phone: 908-687-5000
 Fax: 908-687-5710

APPROVALS		DATE
DRAWN	DY	1/14/10
CHECKED		
APPROVED		

TITLE WIRE TO BOARD, FEMALE, 6.35mm PITCH WITHOUT POLARIZING		
SIZE X	PART NO. DME-XX-S-SQ-V0	REV. B
REF: S000123T	SCALE: NTS	SHEET 2 OF 2

6

5

4

3

2

1