

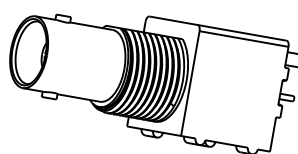
NOTES:

1. MATERIALS AND FINISHES:  
 BODY - ZINC DIE CAST, NICKEL PLATING  
 CONTACT - PHOSPHOR BRONZE, GOLD PLATING (.000003 THICK)  
 @ CONTACT AREA ONLY, TIN PLATING AT TAIL, NICKEL PLATED OVERALL  
 INSULATOR - POLYPROPYLENE  
 HOUSING - PBT 15% G.F., WHITE  
 ROUND PIN - BRASS, TIN PLATING  
 GROUNDING TERMINAL - STEEL, TIN PLATING
2. ELECTRICAL:  
 A. IMPEDANCE: 50 OHM  
 B. FREQUENCY RANGE: DC - 1 GHz  
 C. DIELECTRIC WITHSTANDING VOLTAGE: 1500 VRMS, MIN.
3. MECHANICAL:  
 A. DURABILITY: 500 CYCLES MIN.  
 B. TEMPERATURE RANGE: -55° C TO 85° C
4. PACKAGING:  
 A. PACKAGED IN PACKING TRAYS  
 B. QUANTITY PER TRAY: 40
5. SEPERATELY SUPPLIED MOUNTING HARDWARE TO BE TIGHTENED TO 10 IN-LBS MIN/15 IN-LBS MAX WHEN ASSEMBLING TO PANEL

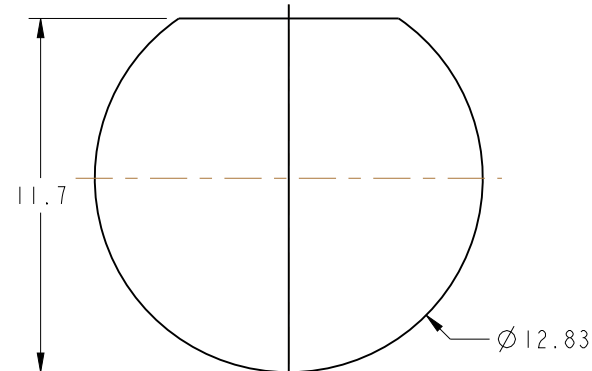
THIRD ANGLE PROJ.

REVISIONS

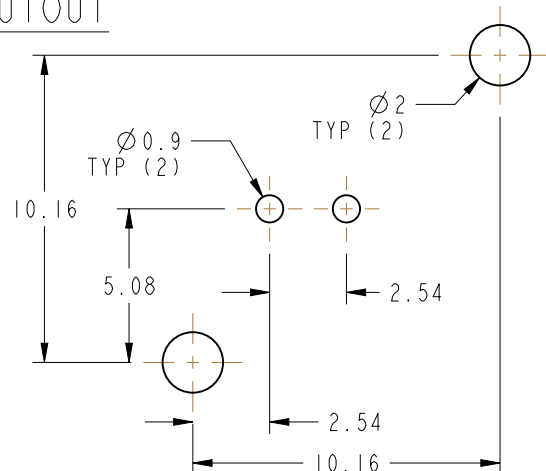
| REV | DESCRIPTION                                    | DATE     | ECO   | APPR |
|-----|--|----------|-------|------|
| A   | RELEASE TO MFG                                 | 3/15/90  | 37099 | DR   |
| F   | SEE SHEET I                                    | 10/11/96 | 41545 | CPM  |
| G   | SEE SHEET I                                    | 2/3/05   | 45257 | CPM  |
| H   | UPDATED FORMAT AND NOMINAL ENVELOPE DIMENSIONS | 9/10/12  | 49195 | EW   |



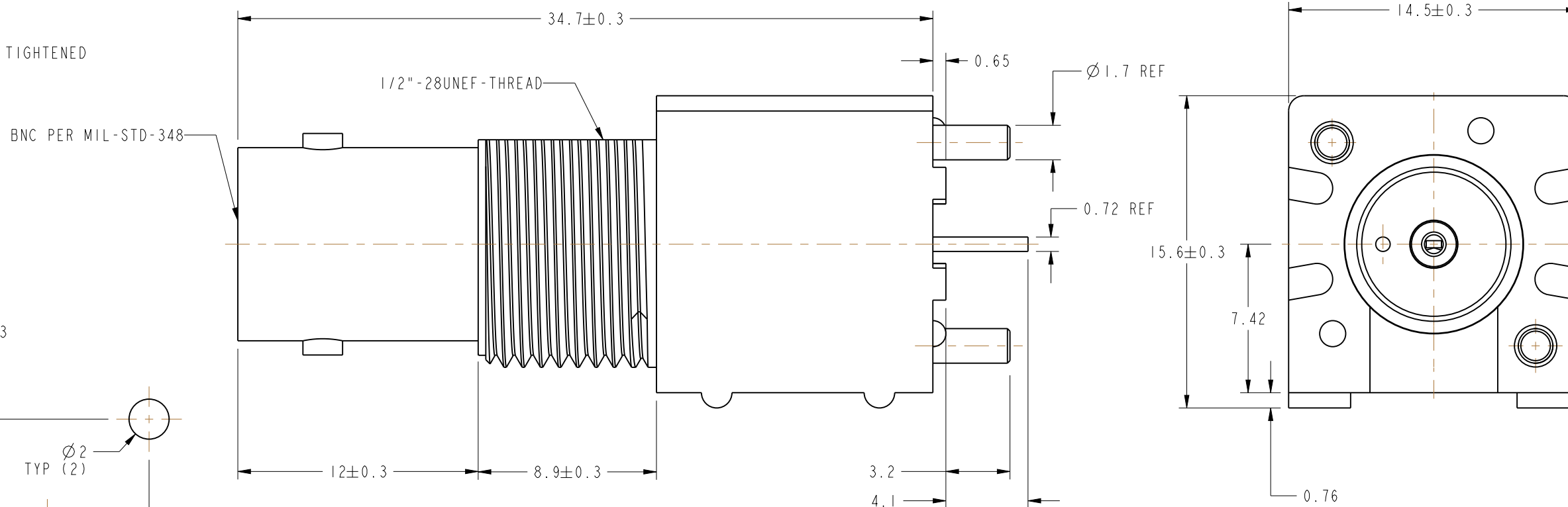
SCALE 1.000



PANEL CUTOUT



RECOMMENDED PCB LAYOUT



**CUSTOMER OUTLINE DRAWING**

ALL OTHER SHEETS ARE FOR INTERNAL USE ONLY

UNLESS OTHERWISE SPECIFIED, DIMENSIONS ARE IN METRIC AND TOLERANCES ARE:  
 <0.5mm ±0.05mm    0.5 - 6mm ±0.1mm    6 - 30mm ±0.2mm    30 - 120mm ±0.3mm    ANGLES ±1°

NOTICE - These drawings, specifications, or other data (1) are, and remain the property of Amphenol corp. (2) must be returned upon request; and (3) are confidential and not to be disclosed to any person other than those to whom they are given by Amphenol Corp. the finishing of these drawings, specifications, or other data by Amphenol Corp., or to any other person to anyone for any purpose is not to be regarded by implication or otherwise in any manner licensing, granting rights to permitting such holder or any other sperson to manufacture, use or sell any product, process or design, patented or otherwise, that may in any way be related to or disclosed by said drawings, specifications, or other data.

|                      |              |      |           |                |                     |
|----------------------|--------------|------|-----------|----------------|---------------------|
| MATERIAL             | ERIC WANKOFF | DATE | 31-Jul-12 | TITLE          | Amphenol RF         |
| REFERENCE            | D. ROYCE     | DATE | 15-Mar-90 |                |                     |
| CONFIGURATION LEVEL: | APPROVED     | DATE | 15-Mar-90 | SCALE: 4.0:1.0 | SHEET 2 OF 2        |
| FINISH               | D. ROYCE     | DATE | 15-Mar-90 | DWG SIZE       | REV                 |
|                      |              |      |           | B              | H                   |
|                      |              |      |           |                | DRAWING NO. 31-5493 |
|                      |              |      |           |                | ITEM NO. 31-5493    |
|                      |              |      |           |                | PART NO. 31-5493    |