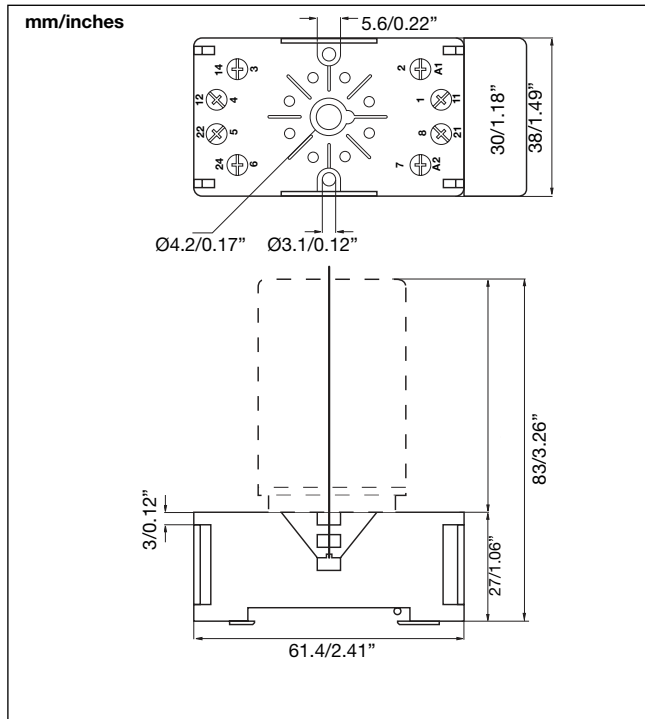


Sockets for RCP relays

ZPD 8



ZPD 8

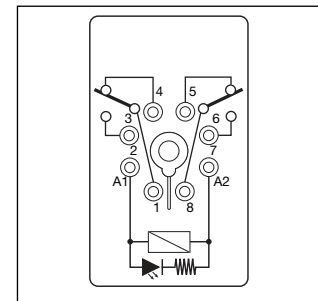
General data

Rated voltage	300VAC
Rated current	10A
CSA rating	12A @ 300VAC
UL rating	10A @ 300VAC 12A @ 150VAC
Insulation voltage	>3kV
Protection degree	IP 20 (EN60529)
Operating temperature range	-25° to +85°C (-13° to +185°F)
Socket material	PA6+GF (V1)
Socket colour	RAL 7035 / Pantone 1C
Terminal type	Screw cage
Screw type	M3 with combi head (slotted, Philips Gr.1, Pozi)
Maximum screw torque	0.8N/m
Max Wire section	2 x 2.5mm ² (14AWG)
Flex / compact wire	2 x 1.5mm ² (16AWG)
Cable End	
Contacts material	Nikel plated - CuZn33

Terminal type



Wiring diagram



Approvals



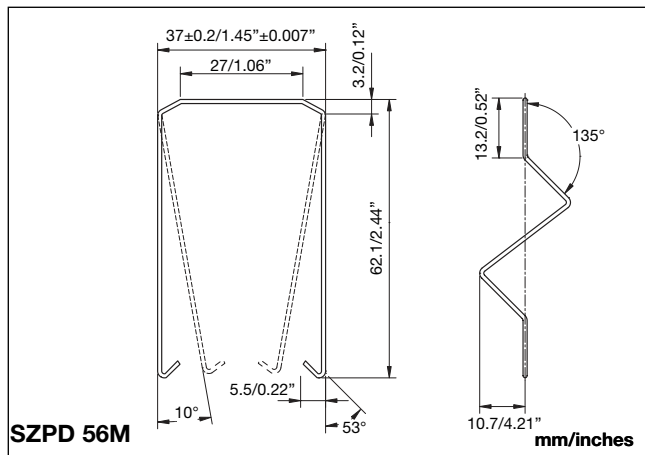
Ordering part number	9399020001
Box content:	10 sockets
Box size: (W 70 x D 140 x H 85) mm	Weight: 600g
(W 2.75 x D 5.51 x H 3.35) inches	Weight: 21.16oz

Optional Accessories (to be ordered separately if required)

Hold-down spring steel SZPD56M

Optional Springs for ZPD series

SZPD 56M



General data

Spring material

Stainless steel

Packaging

Box content:

1 plastic bag, 10pcs.

Weight:

~10g (0.36oz)

RoHS
COMPLIANT