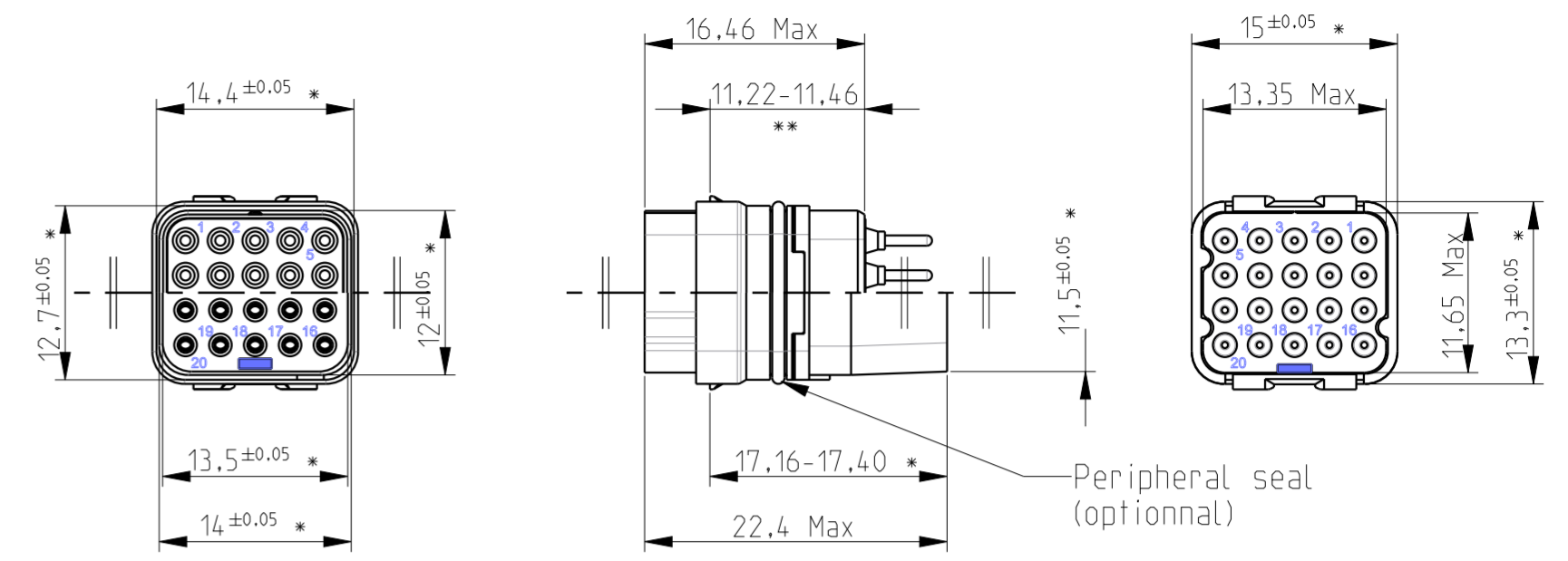
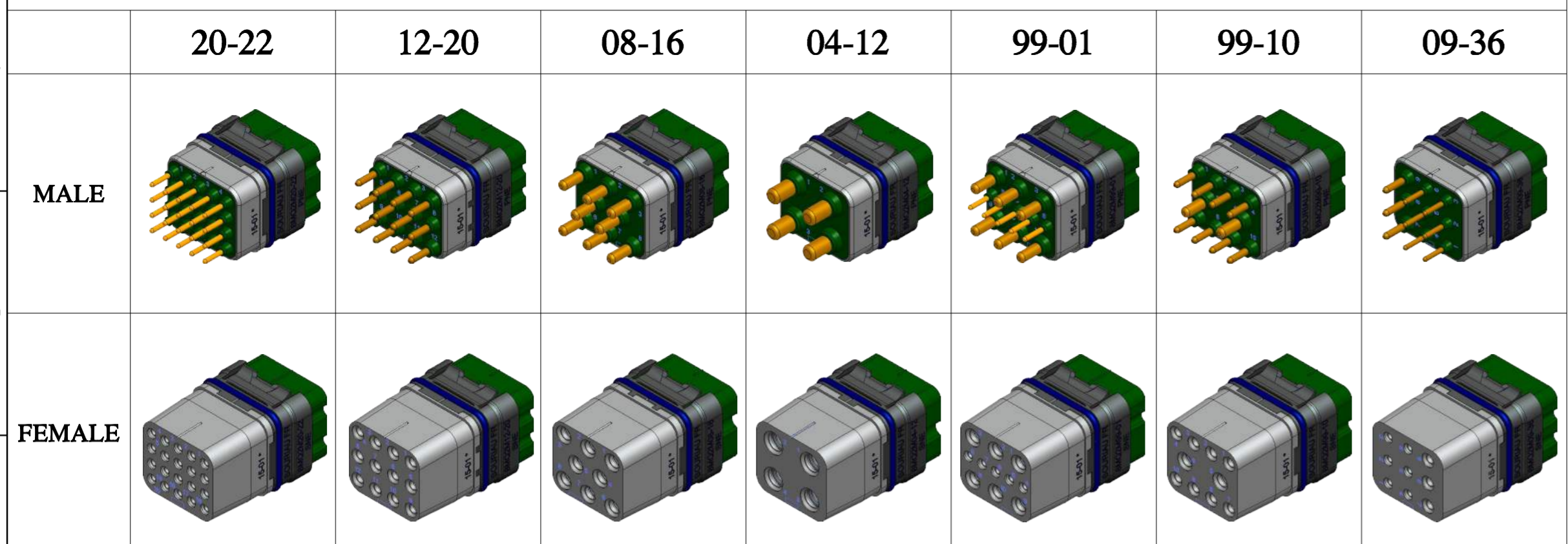


F.2: Validité

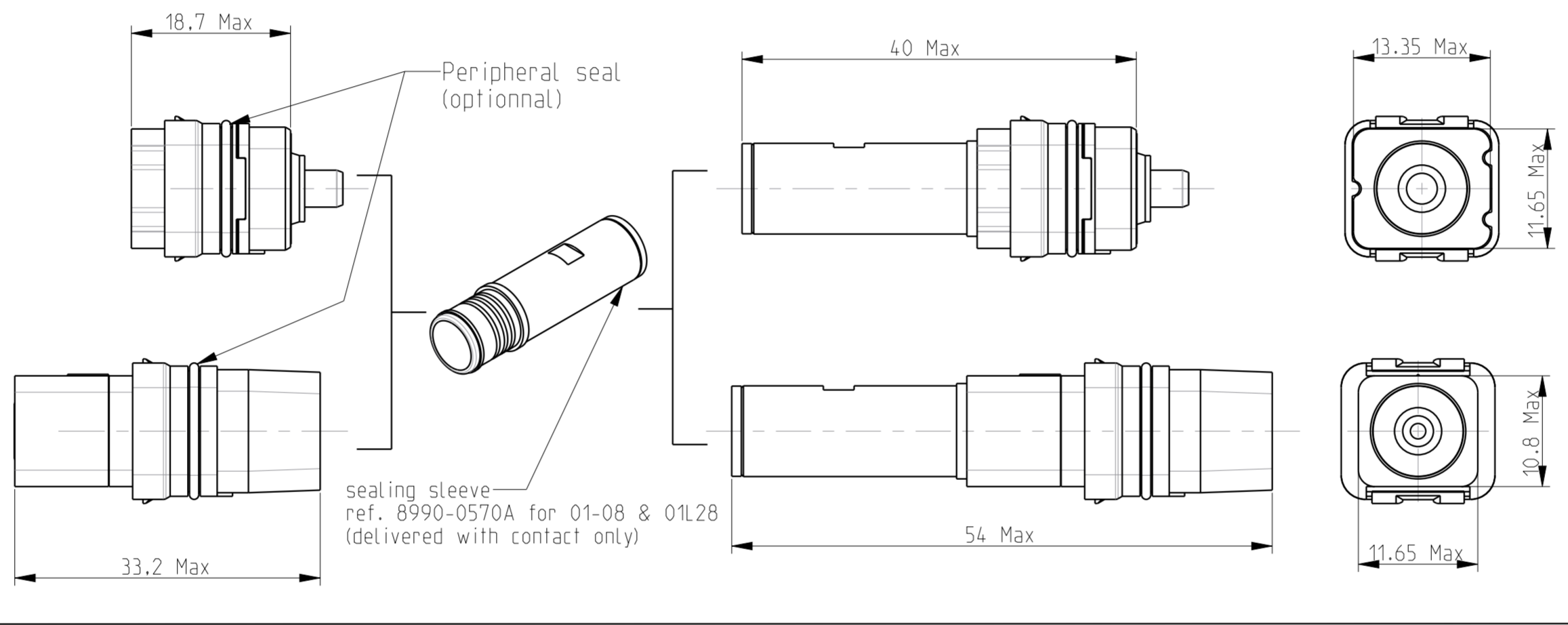
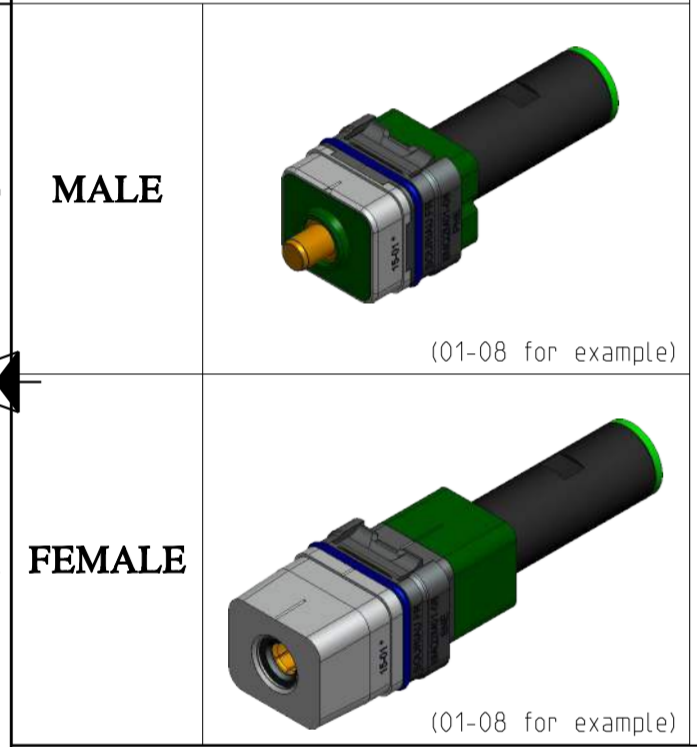
FOR MODULES

* : cotation also available for 01-08 / 01L28 / 00-00 modules
 ** : cotation also available for 01-08 / 01L28 modules



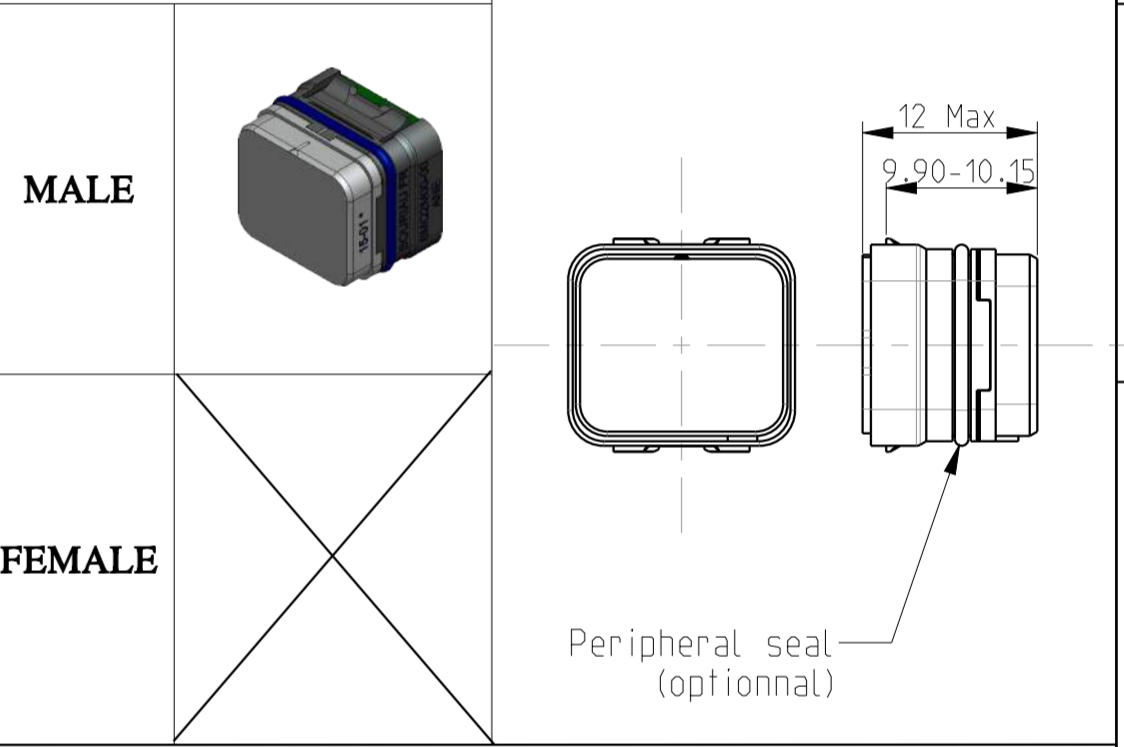
FOR MODULE

01-08 & 01L28



FOR MODULE

00-00



DESIGNATION SOURIAU

BASIC SERIE	8MQ	2	M	20-22	P	N	E	-
-------------	-----	---	---	-------	---	---	---	---

2 = Serie 2
 M = Module

Layout
 Dash = No grounding
 L = No grounding, quadrax contact

P = Male module delivered with contacts
 S = Female module delivered with contacts
 A = Male module delivered without contacts
 B = Female module delivered without contacts

N, A, B, C, D = Polarization

None = Without peripheral sealing
 E = With peripheral sealing

None = Without protection cap
 S = With protection cap
 M = With antistatic protection cap

DESIGNATION EN4165 (modules)

BASIC SERIE	EN4165	A	20-22	1	N	M
-------------	--------	---	-------	---	---	---

A = Serie 2

Layout
 Dash = No grounding
 L = No grounding, quadrax contact

1 = Without peripheral sealing
 2 = With peripheral sealing

N, A, B, C, D = polarization

M = Male module delivered with contacts
 F = Female module delivered with contacts
 A = Male module delivered without contacts
 B = Female module delivered without contacts

DESIGNATION EN4165 (blank modules)

BASIC SERIE	EN4165-	1	N	L
-------------	---------	---	---	---

1 = Without peripheral sealing
 2 = With peripheral sealing

N = Polarization (N only)
 L = Lightweight version

CONTACTS

Layout	#	Qty
20-22	22D	20
12-20	20	12
08-16	16	8
04-12	12	4
99-01	22D	5
	16	6
99-10	20	8
	16	2
09-36	22D	6
	20	3
01-08	8	1
01L28	8Q	1
00-00	no contact	

Technical requirements

- Voltage proof test (Sea Level) :
 - #22 = 1300 V r.m.s.
 - #20/#16/#12/#8(Q) = 1500 V r.m.s.
- Insulation resistance = 5000 MΩ
- Climatic sequence : -55°C/+175°C
- Fluid resistance : See standard EN 4165-001 (table 40)
- Contact retention in insert :
 - #22 = 44 N
 - #20 = 67 N
 - #16/#12/#8/#8Q = 110 N
- The use of sealing plugs or dummy contacts is mandatory for all unused cavities

Layout	Weight (g)	
	Male module	Female module
20-22	4.32	6.81
12-20	4.36	6.06
08-16	5.16	6.63
04-12	5.29	6.19
99-01	4.96	6.69
99-10	4.46	6.08
09-36	3.89	5.69
01-08	6.70	10.96
01L28	7.60	10.13
00-00	1.44	N/C

Values for information purposes

Colors no contractuels

Country	Jurisdiction & Control List
FR	NOT LISTED

P/N : SEE TABLE

F	10/05/19	drawing update for EN4165 creation modules	23536BM
ISS	DATE	Add marking and codification EN4165 version	MOD N°
		Latest modification - by: E.FOREST	
Designed by:	N.AUFFRET	Date:24/07/15	CUSTOMER DRAWING
TITLE	MODULES - BASIC SERIE 8MQ COMPLIANT WITH EN4165/BAC110BC/ARINC 809		
Scale	2/1	General Linear Tolerances: ± --	NPRDS / PROJECT BE133701A
SOURIAU Connection Technologies		WWW.SOURIAU.COM	This document is the property of SOURIAU. It must not be reproduced or communicated without permission
FORMAT	A2	SOURIAU DRG N° C001-8MQ-A	SHEET 1 / 2

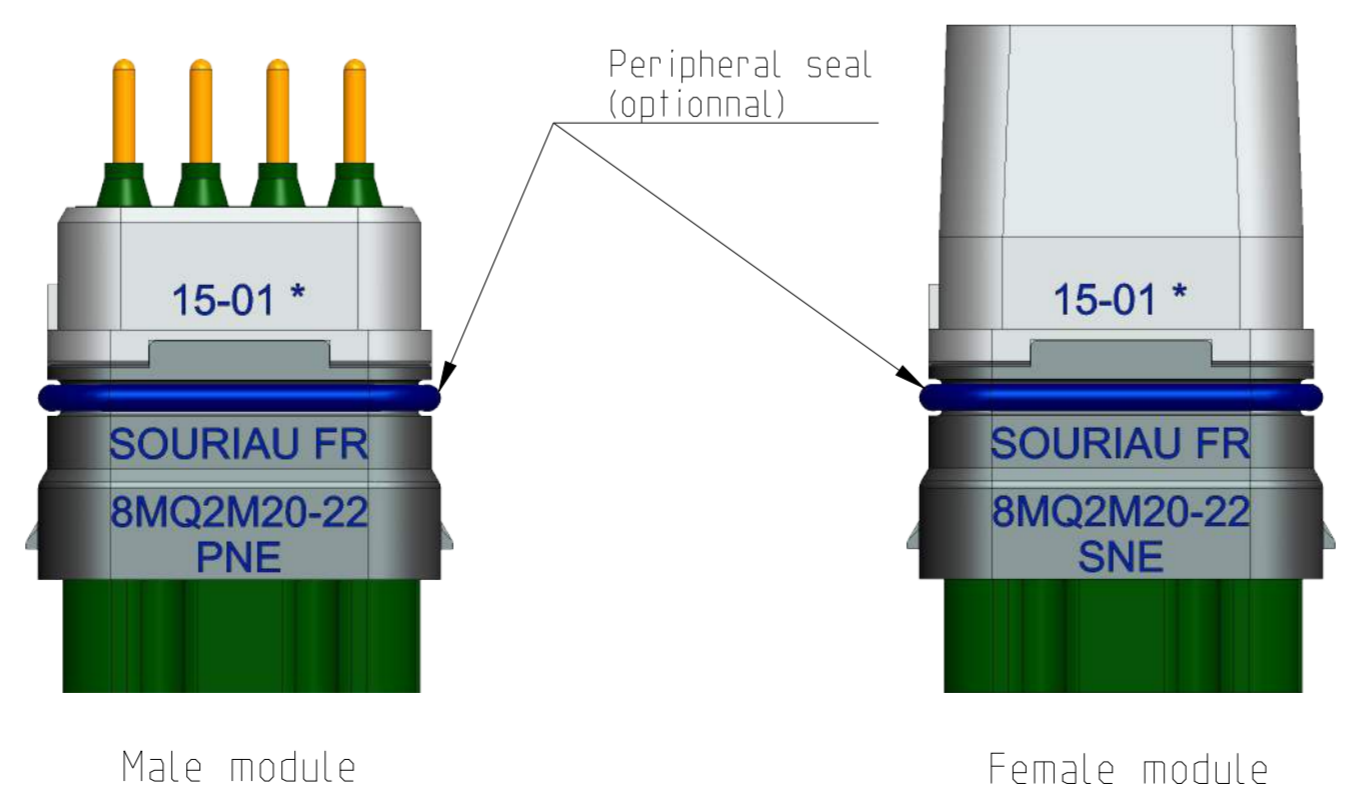
F.2: Validité

LAYOUT	POSITIONNING VIEW OF FRONT FACE OF MALE MODULE & REAR FACE OF FEMALE MODULE	LAYOUT	POSITIONNING VIEW OF FRONT FACE OF MALE MODULE & REAR FACE OF FEMALE MODULE	LAYOUT	POSITIONNING VIEW OF FRONT FACE OF MALE MODULE & REAR FACE OF FEMALE MODULE	LAYOUT	POSITIONNING VIEW OF FRONT FACE OF MALE MODULE & REAR FACE OF FEMALE MODULE
20-22 20 cts #22D		12-20 12 cts #20		09-36 6 cts #22D + 3 cts #20		99-10 8 cts #20 + 2 cts #16	
08-16 8 cts #16		04-12 4 cts #12		99-01 5 cts #22D + 6 cts #16		00-00 No contacts	NO MARKING
01-08 1 ct #8	NO MARKING 	01L28 1 ct #8 Quadrax					

MARKING

Marking exemple :

- 15-01 *
Date code (Year-Week)
- * = Manufacturing location
- France : None
- Maroc : T
- SOURIAU FR
- 8MQ2M20-22 PNE
or
EN4165A 20-222NM
or
EN4165-1NL
- Part number module SOURIAU or
- Part number module EN4165 or
- Part number blank module EN4165



Colors no contractuels | Country: FR | Jurisdiction & Control List: NOT LISTED

P/N : SEE TABLE

F	10/05/19	drawing update for EN4165 creation modules	23536BM
ISS	DATE	Latest modification - by: E.FOREST	MOD N°
Designed by: N.AUFFRET		Date: 24/07/15	CUSTOMER DRAWING
TITLE		MODULES - BASIC SERIE 8MQ COMPLIANT WITH EN4165/BAC110BC/ARINC 809	
Scale	4/1	General Linear Tolerances: ± --	NPRDS / PROJECT BE133701A
		WWW.SOURIAU.COM This document is the property of SOURIAU. It must not be reproduced or communicated without permission.	
FORMAT	SOURIAU DRG N° C001-8MQ-A		SHEET 2 / 2