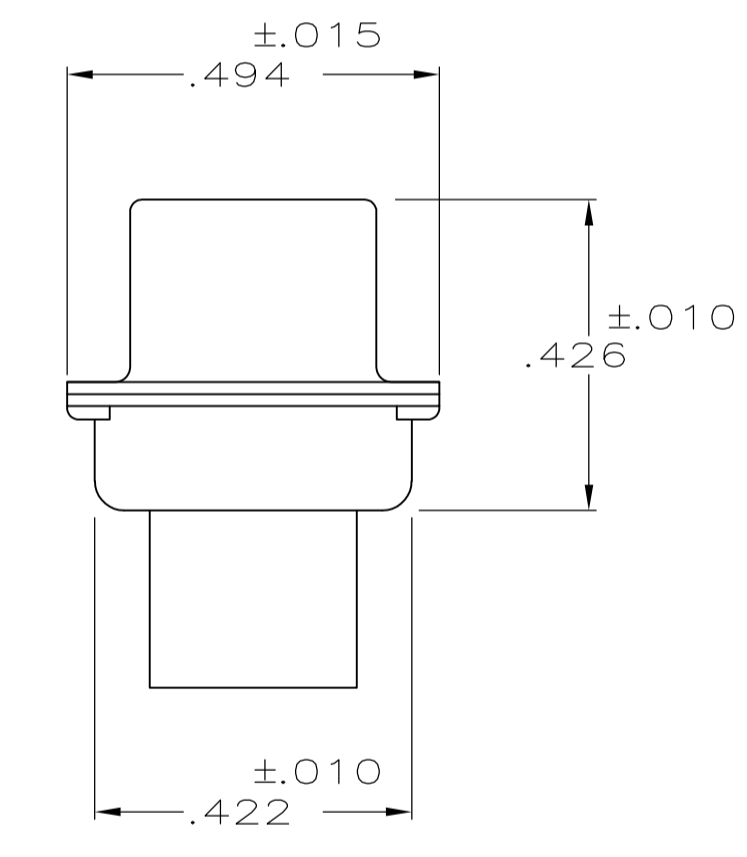
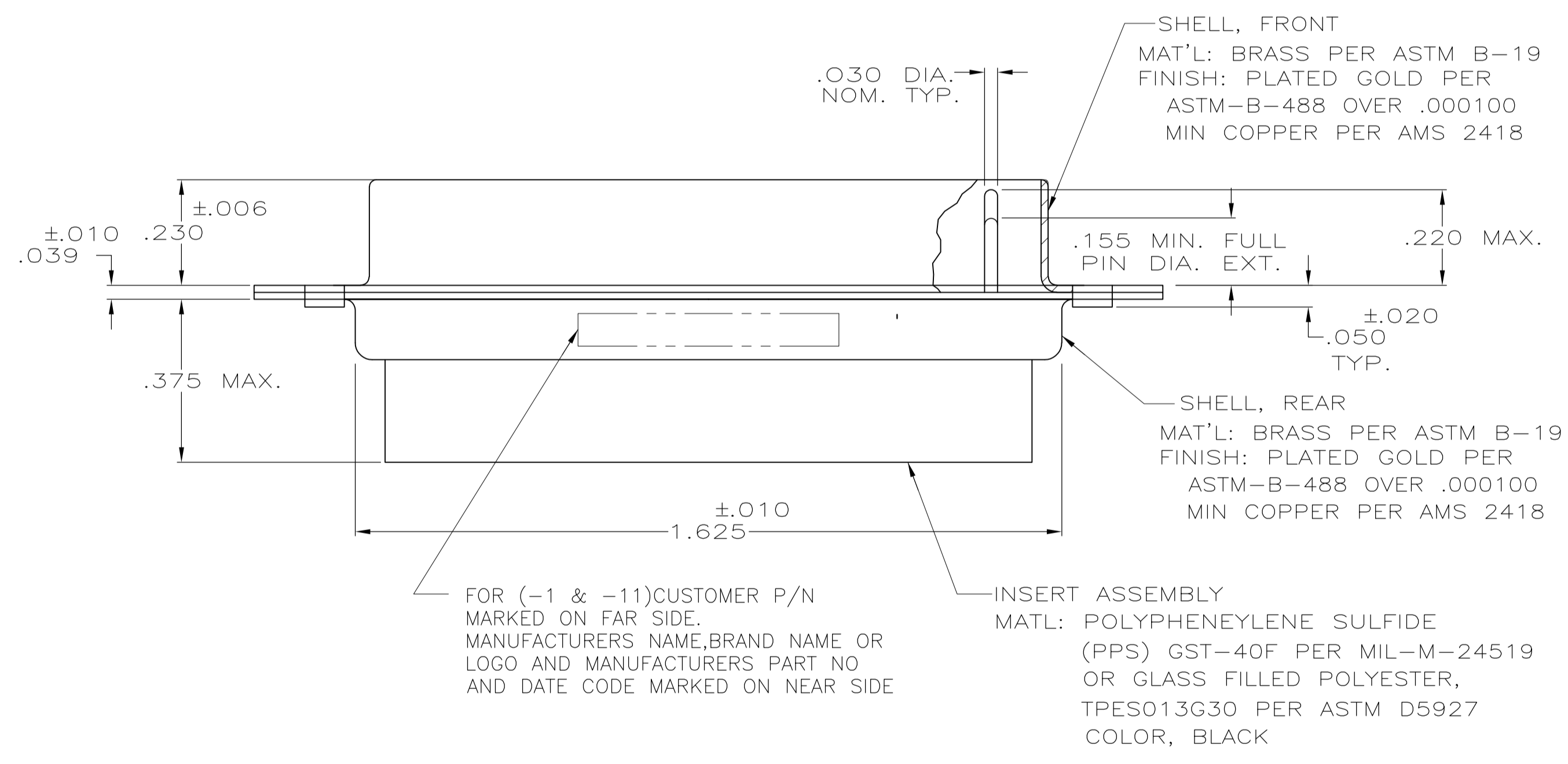
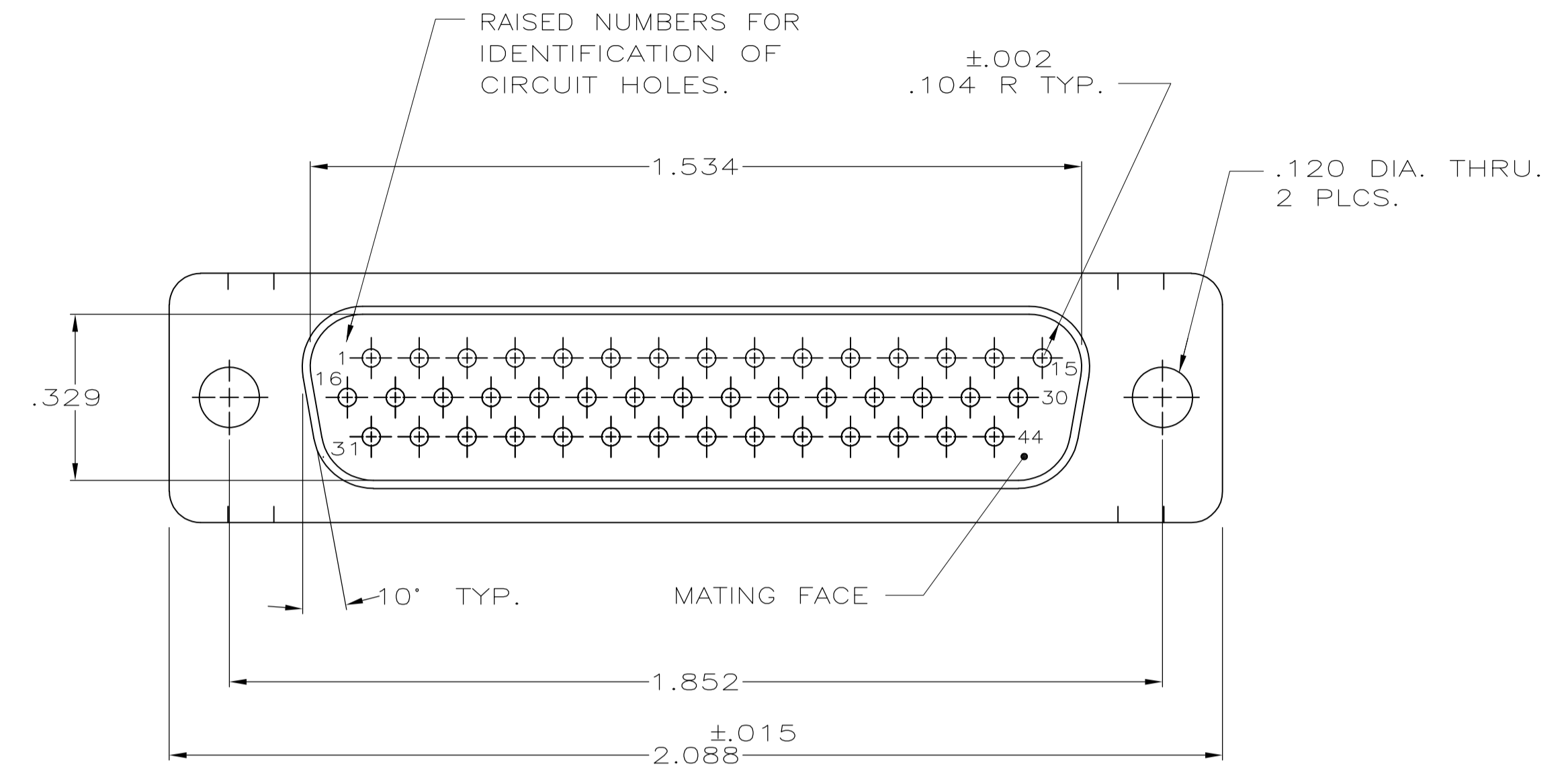


1. THIS PLUG WILL MATE WITH ANY SIZE 3,44 POSN. RECEPTACLE IN AMPLIMITE SERIES.
 2. CONNECTOR SUPPLIED WITHOUT CONTACTS; SHOWN FOR ILLUSTRATION ONLY.
 3. BE-CU RETENTION CLIPS ARE INCLUDED IN INSERTS AND INSTALLED WITH TINES POINTING TOWARDS MATING FACE.
 4. OVERALL DIMENSIONS DO NOT INCLUDE RAISED CAVITY IDENTIFICATION
 5. MARKING FAR SIDE REFERS TO WIDE SIDE OF KEYSTONE. NEAR SIDE REFERS TO NARROW SIDE OF KEYSTONE
- ⚠ 100% INSPECTION REQUIRED PER BOEING 1B01:
 A. VISUAL
 B. DWV
 C. IR
7. CUSTOMER REQUIRES SINGLE LOT DATE CODE.



⚠	1B01-009PHW	1-211651-1
⚠	1B01-009	211651-1
REMARKS	CUSTOMER MARKING	PART NO.

THIS DRAWING IS A CONTROLLED DOCUMENT.

DW	D. ERDMAN	3-12-84	Tyco Electronics Corporation Harrisburg, PA 17105-3608
CHK	B. YOHN	4-26-84	
APD	G. SACUNAS	7-5-84	NAME PLUG ASS'Y., AMPLIMITE, 44 POSN., SIZE 3, SERIES 90 NON-MAGNETIC
PRODUCT SPEC			
APPLICATION SPEC			RESTRICTED TO
MATERIAL	SEE CALLOUTS	WEIGHT	—
FINISH	SEE CALLOUTS	SCALE	4:1
CUSTOMER DRAWING		SHEET	1 OF 1
		REV	E

SIZE: A1 CAGE CODE: 00779 DRAWING NO: 211651