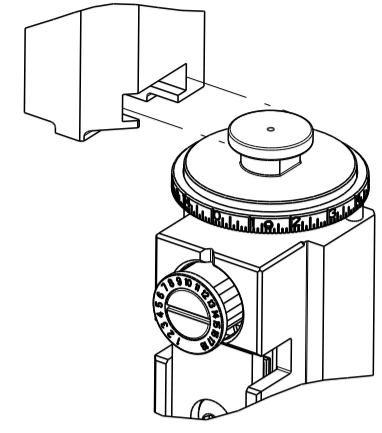


PART NUMBER	REVISION	DESCRIPTION	FEED TYPE
2266234-1	C	FINE CRIMP HEIGHT ADJUST	MECHANICAL
2266234-2	D	FINE CRIMP HEIGHT ADJUST	PNEUMATIC
7-2266234-1	C	MECHANICAL AND CRIMP TOOLING KIT	MECHANICAL
7-2266234-2	D	PNEUMATIC AND CRIMP TOOLING KIT	PNEUMATIC
7-2266234-7	A	CRIMP TOOLING KIT	-

ATLANTIC VERSION TERMINATOR INTERFACE ADAPTER



APPLICATOR DATA		
CRIMP	SIZE	TYPE
WIRE	1.50 mm [.059]	F
INSUL	1.88 mm [.074]	O

APPLICATOR INSTRUCTIONS
408-35042

TERMINAL DATA: JAE TERMINAL		JAE CRIMP SPECIFICATION	
TERMINAL NAME: TERMINAL			
WIRE STRIP LENGTH 2.00-2.50 mm [.079-.098 IN]		INSULATION DIAMETER RANGE Ø1.40-1.70 mm [.055-.067 IN]	
TERMINAL APPLICATION SPECIFICATION	JABL-10636		
TERMINALS APPLIED			
TE TERMINAL	JAE TERMINAL	TE TERMINAL	JAE TERMINAL
2113026-1	MX19P10K451	1949169-1	MX19S10K451
2113303-1	M19P09K3F2	2113134-1	M19S09K3F2

WIRE SIZE	CRIMP HEIGHT mm [INCH]	CRIMP HEIGHT REFERENCE SETTING
20 AWG OR 0.50mm ²	0.80 +/- 0.05 [.032 +/- .002]	5.5
22 AWG OR 0.30mm ²	0.78 +/- 0.05 [.031 +/- .002]	5.9

- RECOMMENDED SPARE PARTS
 - REFER TO SUPPLIED INSTRUCTION SHEET FOR CLEANING, LUBRICATION AND STORAGE OF APPLICATOR.
 - APPLY PART NUMBER 2-23419-6 LOCTITE TO THREADS OF ITEM 242.
 - CRIMP HEIGHT REFERENCE SETTING WAS THE SETTING USED WHEN THE APPLICATOR WAS QUALIFIED AT THE FACTORY. ADJUSTMENT MAY BE NECESSARY WHEN RUNNING APPLICATOR IN THE FIELD.
 - ADJUSTMENTS ARE REQUIRED WHEN CHANGING TERMINALS.
 - WIRE SIZE 20 AWG OR 0.50mm² ONLY FOR TERMINAL 2113303-1 (JAE P/N M19P09K3F2) AND 2113134-1 (M19S09K3F2).
7. UNLESS SPECIFIED OTHERWISE TORQUE VALUES SHALL BE USED PER DOCUMENT, 101-35000.

***WARNING**
ON INSTALLATION, SET WIRE DISC TO CRIMP HEIGHT REFERENCE SETTING FOR LARGEST WIRE SIZE. CRIMP HEIGHT REFERENCE SETTINGS GREATER THAN THE VALUE SHOWN MAY CAUSE DAMAGE TO THE CRIMP TOOLING, REFER TO THE INSTRUCTION SHEET FOR PROPER SETUP AND ADJUSTMENTS.

ATLANTIC VERSION
Shown on sheets 1 of 4 & 2 of 4
(Pacific version shown on sheets 3 of 4 & 4 of 4)

LOC	DIST	REVISIONS				
A	66	REV	DATE	BY	CHK	APPV
		B	ECR-15-015480	21OCT2015	MR	GB
		C	ECR-18-008597	05JUN2018	KH	TE
		D	ECR-22-154746	06OCT2022	TB	RK

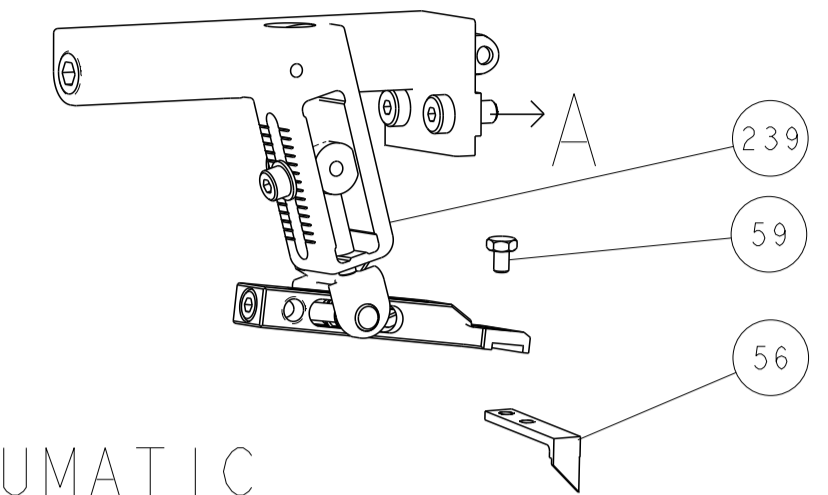
REV	DATE	BY	CHK	APPV	DESCRIPTION	ITEM NO
-	1	1	1	1	18025-1 WASHER, SPRG LOCK, REG M3	261
-	1	-	1	-	2119641-1 FEED CAM, AIR FEED	248
-	1	1	1	1	2119082-8 CAM, SNAIL, INSULATION ADJUSTMENT	244
-	1	1	1	1	2079764-1 WASHER, WAVE SPRING, CREST-TO-CREST	243
-	1	1	1	1	2119083-1 RETAINER, INSULATION DIAL	242
-	1	1	1	1	7-18023-7 SCR, SKT HD CAP M3 X 4.0	241
-	-	1	-	1	2119580-1 MECHANICAL FEED ASSEMBLY	239
-	1	-	1	-	2844940-1 AIR FEED MODULE	238
-	REF	REF	REF	REF	994970-2 COUNTER, MAGNETIC	164
-	1	1	1	1	2844908-1 SCREW, LOCKING	99
-	1	1	1	1	2844907-1 POST, LOCKING	98
-	1	1	1	1	455888-9 SPACER, CRIMPER	82
-	1	1	1	1	5-547505-2 SPRING, COMPRESSION	77
-	1	1	1	1	854769-4 HOLDER, INS	74
-	1	1	1	1	1803607-3 DOCUMENTATION PACKAGE	71
-	1	1	1	1	2119740-1 TAG, IDENTIFICATION	67
-	2	2	2	2	2168078-1 SCREW, DRIVE, RH, RoHS, 2 x .188	66
-	1	1	1	1	2168083-2 SCR, SKT HD CAP, RoHS, M4 X 8.0	60
-	1	1	1	1	5-18022-5 SCR, HEX HD CAP, M4 X 6.0	59
-	1	1	1	1	21028-2 PIN, SLOTTED SPRING .062 X .250	58
-	1	1	1	1	1338685-1 PAWL, FEED	56
-	4	4	4	4	2168083-3 SCR, SKT HD CAP, RoHS, M4 X 12.0	54
-	2	2	2	2	1-2168083-0 SCR, SKT HD CAP, RoHS, M4 X 10	53
-	1	1	1	1	5018030-1 NUT, HEX, REG, RoHS, M3	52
-	1	1	1	1	811242-5 BUMPER, HOLD DOWN	51
-	1	1	1	1	690753-6 SPACER, TONKER	50
-	1	2	1	2	18023-9 SCR, SKT HD CAP M4 X 6.0	49
-	-	1	-	1	2119652-1 FEED CAM, PRE FEED	48
-	-	1	-	1	2119653-1 FEED CAM, POST FEED	47
-	1	1	1	1	1803583-9 APPLICATOR BASIC ASSEMBLY, SF	46
-	1	1	1	1	1803515-1 RAM ASSEMBLY, SF ATLANTIC	44
-	1	1	1	1	1803602-1 SCR, BHSC, RoHS (M8 X 25)	41
-	1	1	1	1	2-1752356-6 SUPPORT, TERMINAL	34
-	2	2	2	2	2079383-5 SCR, BHSC, RoHS (M4 X 20)	33
-	2	2	2	2	2-2844962-6 SPACER, CYLINDRICAL, STRIP GUIDE	30
-	1	1	1	1	2844992-1 ASSEMBLY, STRIP GUIDE	29
-	1	1	1	1	455888-3 SPACER, CRIMPER	28
-	1	1	1	1	1320928-2 STRIP GUIDE	24
-	1	1	1	1	2168083-2 SCR, SKT HD CAP, RoHS, M4 X 8.0	21
-	2	2	2	2	1-18028-2 WASHER, FLAT, REG M4	20
-	1	1	1	1	2119533-1 STRIPPER, SIDE FEED	19
-	1	1	1	1	2119806-1 INSERT, SHEAR	13
-	1	1	1	1	3-22280-3 SPRING, COMPRESSION	12
-	1	1	1	1	1-356885-4 STOP, SHEAR	11
-	1	1	1	1	2119805-1 SHEAR HOLDER, FRONT	10
-	1	1	1	1	1803095-1 FLOATING SHEAR, FRONT	9
1	2	2	1	1	7-1633927-9 ANVIL, COMBINATION	8
-	1	1	1	1	2-240641-1 SPACER	7
-	-	-	-	-	-	6
-	1	1	1	1	2119780-9 DEPRESSOR, SHEAR	5
-	1	1	1	1	1-238011-6 BLOCK, CRIMPER SPACER	4
1	2	2	1	1	4-1803019-4 CRIMPER, INSULATION O	3
-	1	1	1	1	455888-1 SPACER, CRIMPER	2
1	2	2	1	1	3-1633305-5 CRIMPER, WIRE PREMIUM	1

DIMENSIONS:		TOLERANCES UNLESS OTHERWISE SPECIFIED:		MATERIAL:		FINISH:	
mm		0 PLC	±				
		1 PLC	±				
		2 PLC	±				
		3 PLC	±				
		4 PLC	±				
		ANGLES	±				

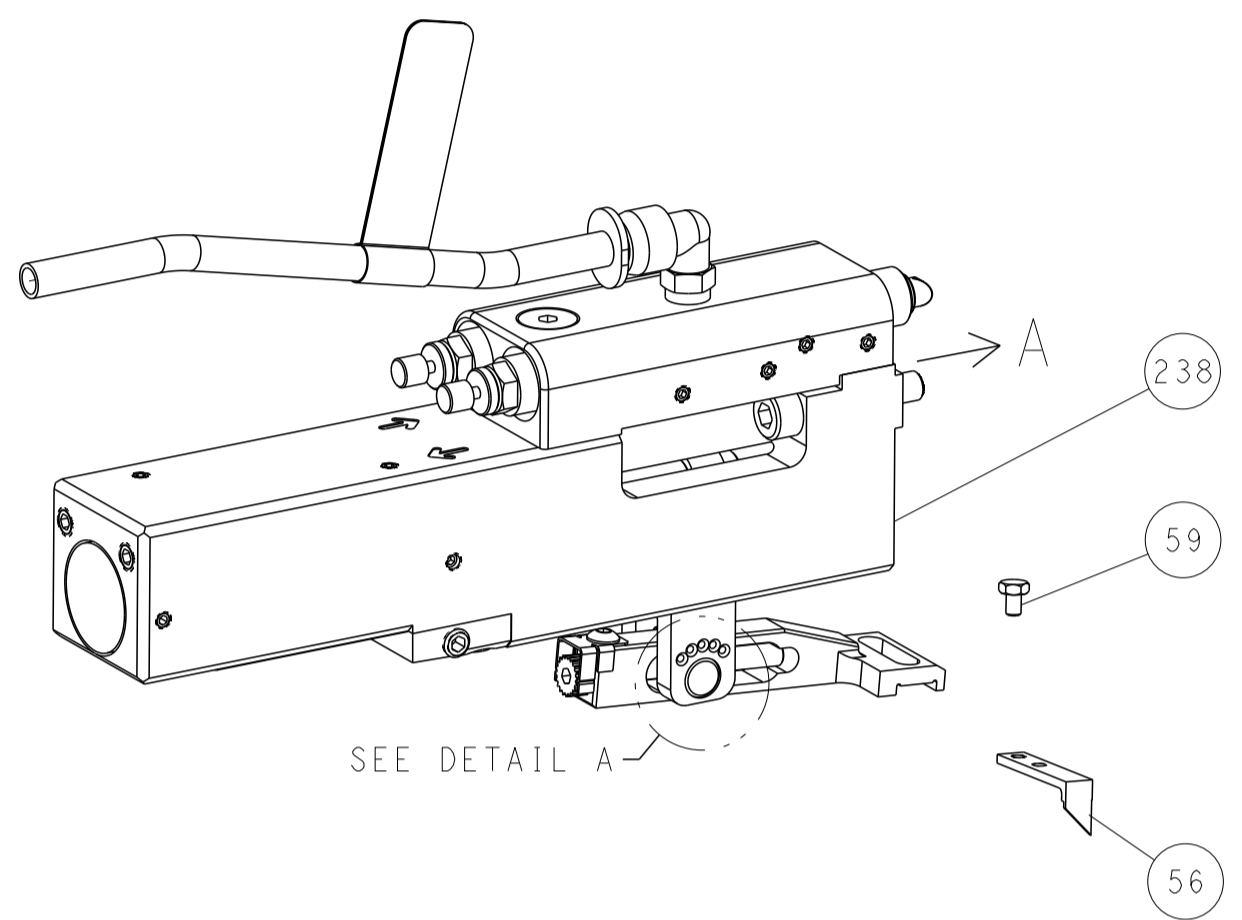
OWN	H. HUANG	18MAR2014
CHK	L. ZHANG	18MAR2014
APVD	J. GUO	18MAR2014
PRODUCT SPEC		
APPLICATION SPEC		
SIZE	CAGE CODE	DRAWING NO
A1	00779	2266234
Customer Accessible Production Drawing		SCALE 1:2 SHEET 1 OF 4 REV D

LOC	DIST	REVISIONS					
A	66	P	LTN	DESCRIPTION	DATE	DWN	APVD
		-		SEE SHEET 1	-	-	-

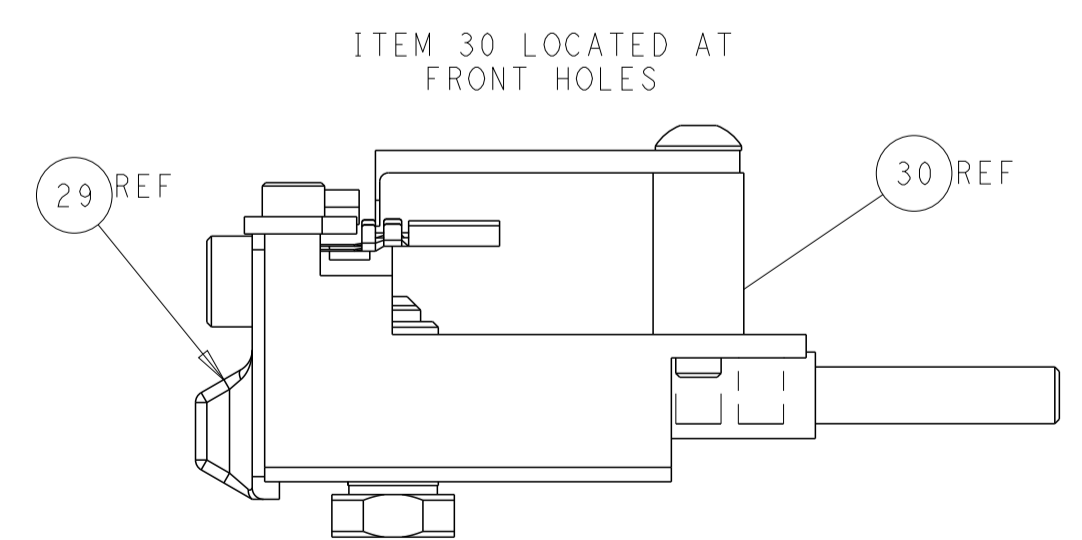
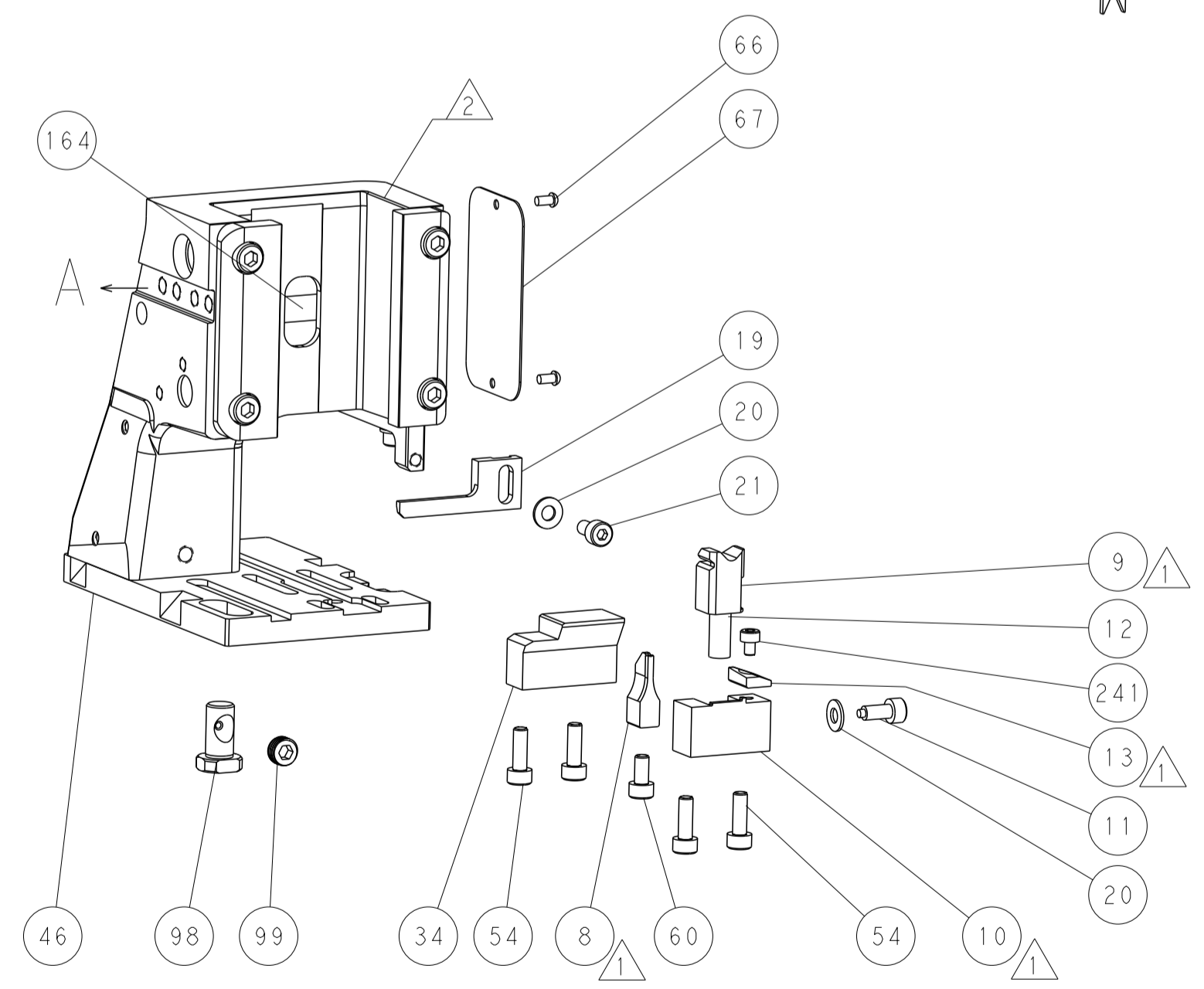
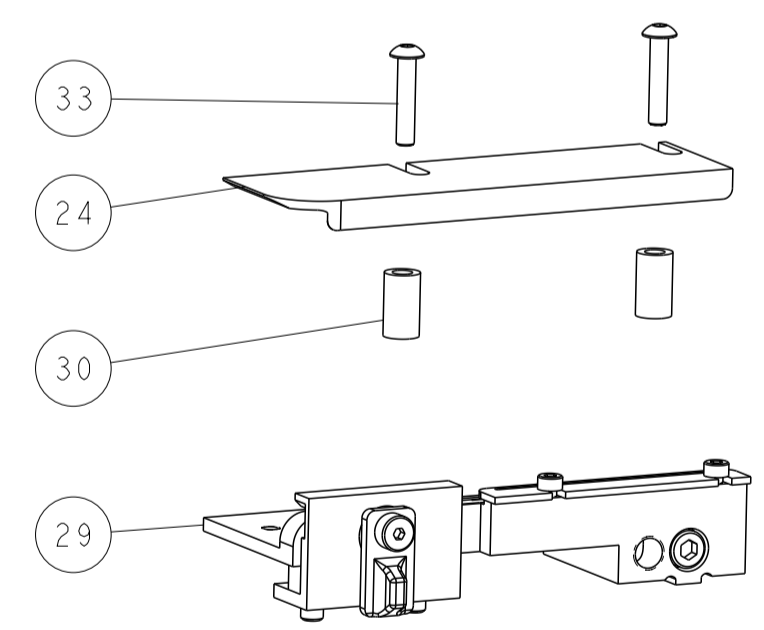
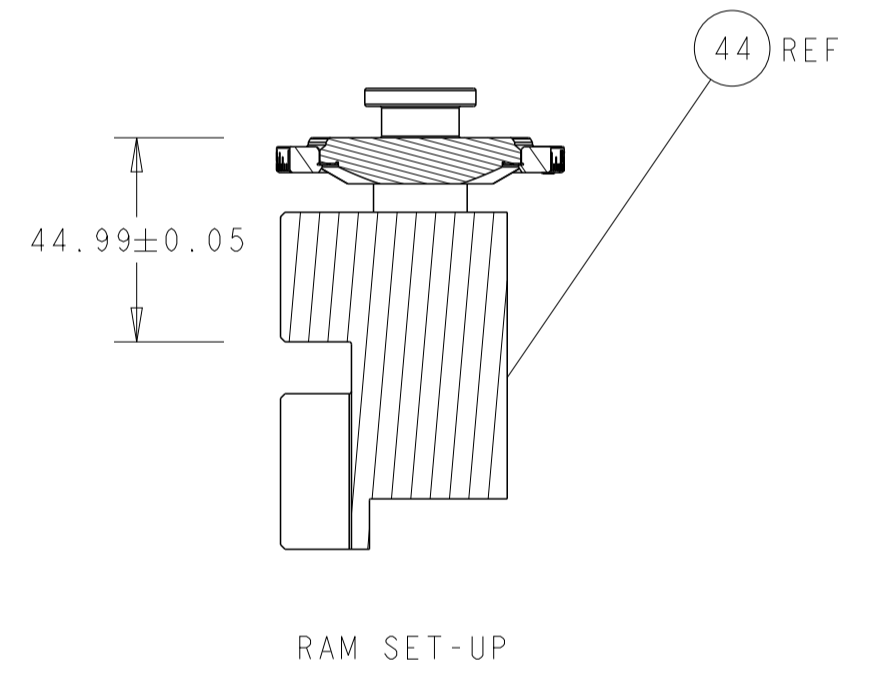
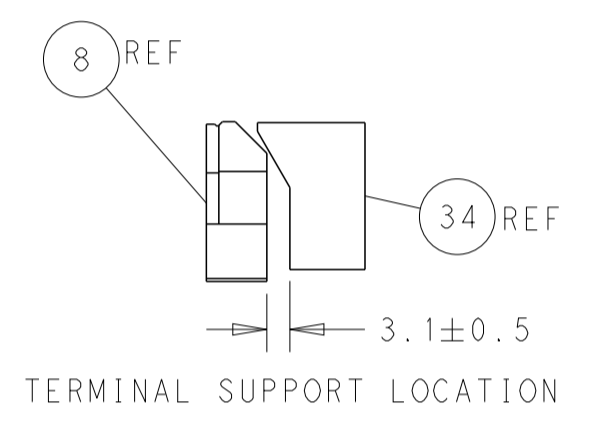
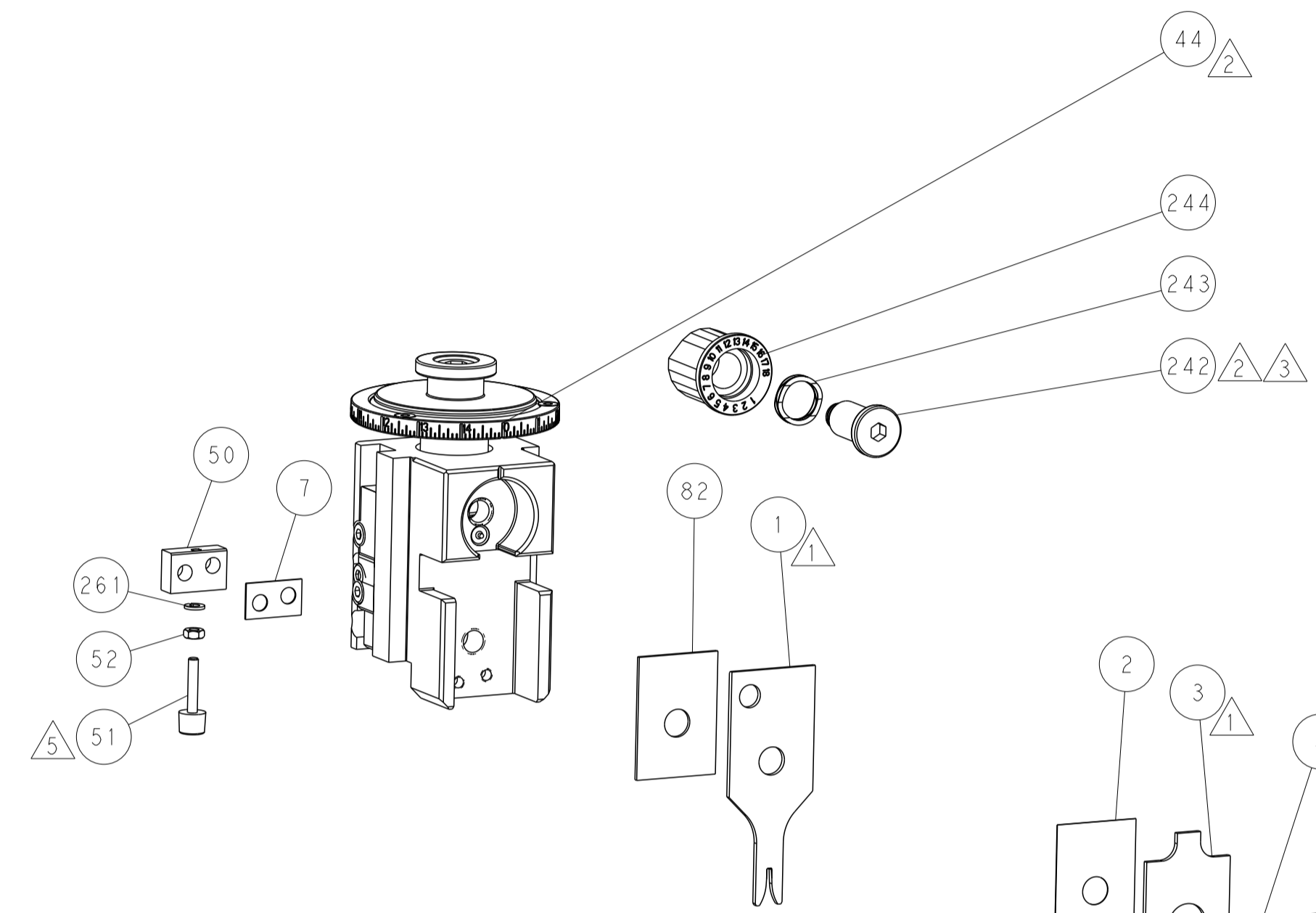
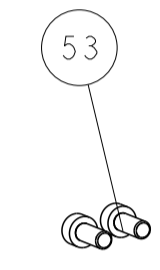
FEED TYPE MECHANICAL



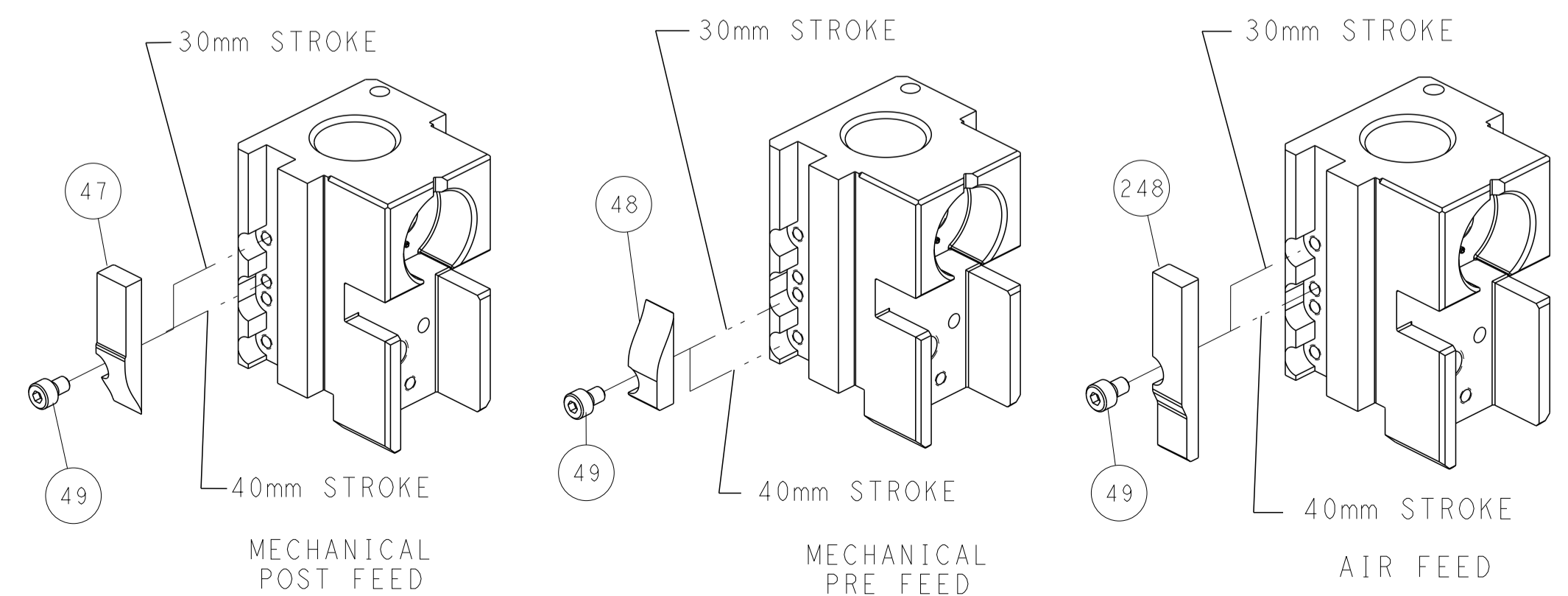
PNEUMATIC



FEED SPRING SETTING POSITION (SHOWN FROM REAR SIDE)



CAM POSITIONS



ATLANTIC VERSION
 Shown on sheets 1 of 4 & 2 of 4
 (Pacific version shown on sheets 3 of 4 & 4 of 4)

DIMENSIONS: mm 		TOLERANCES UNLESS OTHERWISE SPECIFIED: 0 PLC ± 1 PLC ± 2 PLC ± 3 PLC ± 4 PLC ± ANGLES ± FINISH		DWN H. HUANG 18MAR2014 CHK L. ZHANG 18MAR2014 APVD J. GUO 18MAR2014 PRODUCT SPEC APPLICATION SPEC WEIGHT SCALE 1:2		NAME Ocean Side Feed Applicator SIZE CAGE CODE DRAWING NO. A1 00779 C=2266234 SHEET 2 OF 4 REV D	
MATERIAL:				RESTRICTED TO:			

PART NUMBER	REVISION	DESCRIPTION	FEED TYPE
2-2266234-1	C	FINE CRIMP HEIGHT ADJUST	MECHANICAL
2-2266234-2	D	FINE CRIMP HEIGHT ADJUST	PNEUMATIC
7-2266234-7	A	CRIMP TOOLING KIT	-

PACIFIC VERSION TERMINATOR
INTERFACE ADAPTER



APPLICATOR DATA		
CRIMP	SIZE	TYPE
WIRE	1.50 mm [.059]	F
INSUL	1.88 mm [.074]	O
APPLICATOR INSTRUCTIONS 408-35042		

TERMINAL DATA: JAE TERMINAL		JAE CRIMP SPECIFICATION	
TERMINAL NAME: TERMINAL			
WIRE STRIP LENGTH 2.00-2.50 mm [.079-.098 IN]		INSULATION DIAMETER RANGE Ø1.40-1.70 mm [.055-.067 IN]	
TERMINAL APPLICATION SPECIFICATION JAEHL-10636			
TERMINALS APPLIED			
TE TERMINAL	JAE TERMINAL	TE TERMINAL	JAE TERMINAL
2113026-1	MX19P10K451	1949169-1	MX19S10K451
2113303-1	M19P09K3F2	2113134-1	M19S09K3F2

WIRE SIZE	CRIMP HEIGHT mm [INCH]	CRIMP HEIGHT REFERENCE SETTING
20 AWG OR 0.50mm ²	0.80+/-0.05 [.032+/- .002]	5.5
22 AWG OR 0.30mm ²	0.78+/-0.05 [.031+/- .002]	5.9

- RECOMMENDED SPARE PARTS
- REFER TO SUPPLIED INSTRUCTION SHEET FOR CLEANING, LUBRICATION AND STORAGE OF APPLICATOR.
- APPLY PART NUMBER 2-23419-6 LOCTITE TO THREADS OF ITEM 242.
- CRIMP HEIGHT REFERENCE SETTING WAS THE SETTING USED WHEN THE APPLICATOR WAS QUALIFIED AT THE FACTORY. ADJUSTMENT MAY BE NECESSARY WHEN RUNNING APPLICATOR IN THE FIELD.
- ADJUSTMENTS ARE REQUIRED WHEN CHANGING TERMINALS.
- WIRE SIZE 20 AWG OR 0.50mm² ONLY FOR TERMINAL 2113303-1(JAE P/N M19P09K3F2) AND 2113134-1(M19S09K3F2).
- UNLESS SPECIFIED OTHERWISE TORQUE VALUES SHALL BE USED PER DOCUMENT, 101-35000.

***WARNING**
ON INSTALLATION, SET WIRE DISC TO CRIMP HEIGHT REFERENCE SETTING FOR LARGEST WIRE SIZE. CRIMP HEIGHT REFERENCE SETTINGS GREATER THAN THE VALUE SHOWN MAY CAUSE DAMAGE TO THE CRIMP TOOLING, REFER TO THE INSTRUCTION SHEET FOR PROPER SETUP AND ADJUSTMENTS.

PACIFIC VERSION
Shown on sheets 3 of 4 & 4 of 4
(Atlantic version shown on sheets 1 of 4 & 2 of 4)

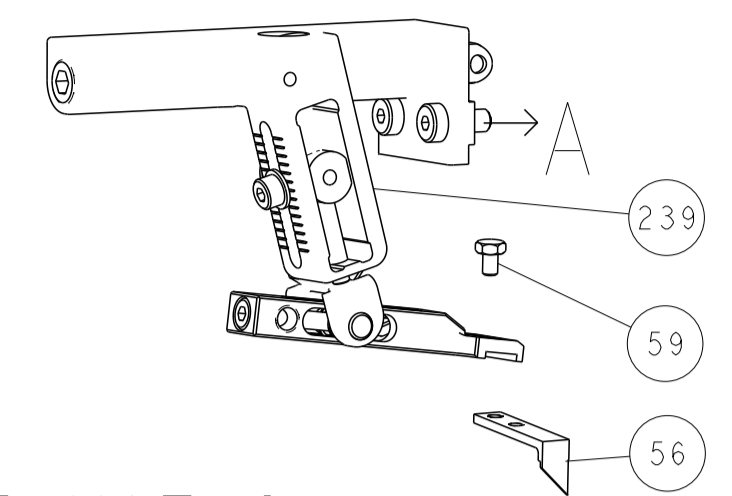
LOC	DIST	REVISIONS					
A	66	P	LTN	DESCRIPTION	DATE	OWN	APVD
		-		SEE SHEET 1	-	-	-

-	1	1	18025-1	WASHER, SPRG LOCK, REG M3	261
-	1	1	2119082-8	CAM, SNAIL, INSULATION ADJUSTMENT	244
-	1	1	2079764-1	WASHER, WAVE SPRING, CREST-TO-CREST	243
-	1	1	2119083-1	RETAINER, INSULATION DIAL	242
-	1	1	7-18023-7	SCR, SKT HD CAP M3 X 4.0	241
-	-	1	2119580-1	MECHANICAL FEED ASSEMBLY	239
-	1	-	2844940-1	AIR FEED MODULE	238
-	REF	REF	994970-2	COUNTER, MAGNETIC	164
-	1	-	2119641-2	FEED CAM, AIR FEED	151
-	1	1	2168083-8	SCR, SKT HD CAP, RoHS, M4 X 16	144
-	4	4	2168083-9	SCR, SKT HD CAP, RoHS, M4 X 20	143
-	-	1	2119653-2	FEED CAM, POST FEED	142
-	1	1	1-1803583-0	APPLICATOR BASIC ASSEMBLY, SF	141
-	1	1	1803516-1	RAM ASSEMBLY, SF PACIFIC	140
-	1	1	2844908-1	SCREW, LOCKING	99
-	1	1	2844907-1	POST, LOCKING	98
-	1	1	455888-9	SPACER, CRIMPER	82
-	1	1	5-547505-2	SPRING, COMPRESSION	77
-	1	1	854769-4	HOLDER, INS	74
-	1	1	1803607-3	DOCUMENTATION PACKAGE	71
-	1	1	2119740-1	TAG, IDENTIFICATION	67
-	2	2	2168078-1	SCREW, DRIVE, RH, RoHS, 2 x .188	66
-	1	1	5-18022-5	SCR, HEX HD CAP, M4 X 6.0	59
-	1	1	21028-2	PIN, SLOTTED SPRING .062 X .250	58
-	1	1	1338685-1	PAWL, FEED	56
-	2	2	1-2168083-0	SCR, SKT HD CAP, RoHS, M4 X 10	53
-	1	1	5018030-1	NUT, HEX, REG, RoHS, M3	52
-	1	1	811242-5	BUMPER, HOLD DOWN	51
-	1	1	690753-6	SPACER, TONKER	50
-	1	2	18023-9	SCR, SKT HD CAP M4 X 6.0	49
-	-	1	2119652-1	FEED CAM, PRE FEED	48
-	1	1	1803602-1	SCR, BHSC, RoHS (M8 X 25)	41
-	1	1	2-1752356-6	SUPPORT, TERMINAL	34
-	2	2	2079383-5	SCR, BHSC, RoHS (M4 X 20)	33
-	2	2	2-2844962-6	SPACER, CYLINDRICAL, STRIP GUIDE	30
-	1	1	2844992-1	ASSEMBLY, STRIP GUIDE	29
-	1	1	455888-3	SPACER, CRIMPER	28
-	1	1	1320928-2	STRIP GUIDE	24
-	1	1	2168083-2	SCR, SKT HD CAP, RoHS, M4 X 8.0	21
-	2	2	1-18028-2	WASHER, FLAT, REG M4	20
-	1	1	2119533-1	STRIPPER, SIDE FEED	19
-	1	1	2119806-1	INSERT, SHEAR	13
-	1	1	3-22280-3	SPRING, COMPRESSION	12
-	1	1	1-356885-4	STOP, SHEAR	11
-	1	1	2119805-1	SHEAR HOLDER, FRONT	10
-	1	1	1803095-1	FLOATING SHEAR, FRONT	9
1	1	1	7-1633927-9	ANVIL, COMBINATION	8
-	1	1	2-240641-1	SPACER	7
-	-	-	-	-	6
-	1	1	2119780-9	DEPRESSOR, SHEAR	5
-	1	1	1-238011-6	BLOCK, CRIMPER SPACER	4
1	1	1	4-1803019-4	CRIMPER, INSULATION O	3
-	1	1	455888-1	SPACER, CRIMPER	2
1	1	1	3-1633305-5	CRIMPER, WIRE PREMIUM	1

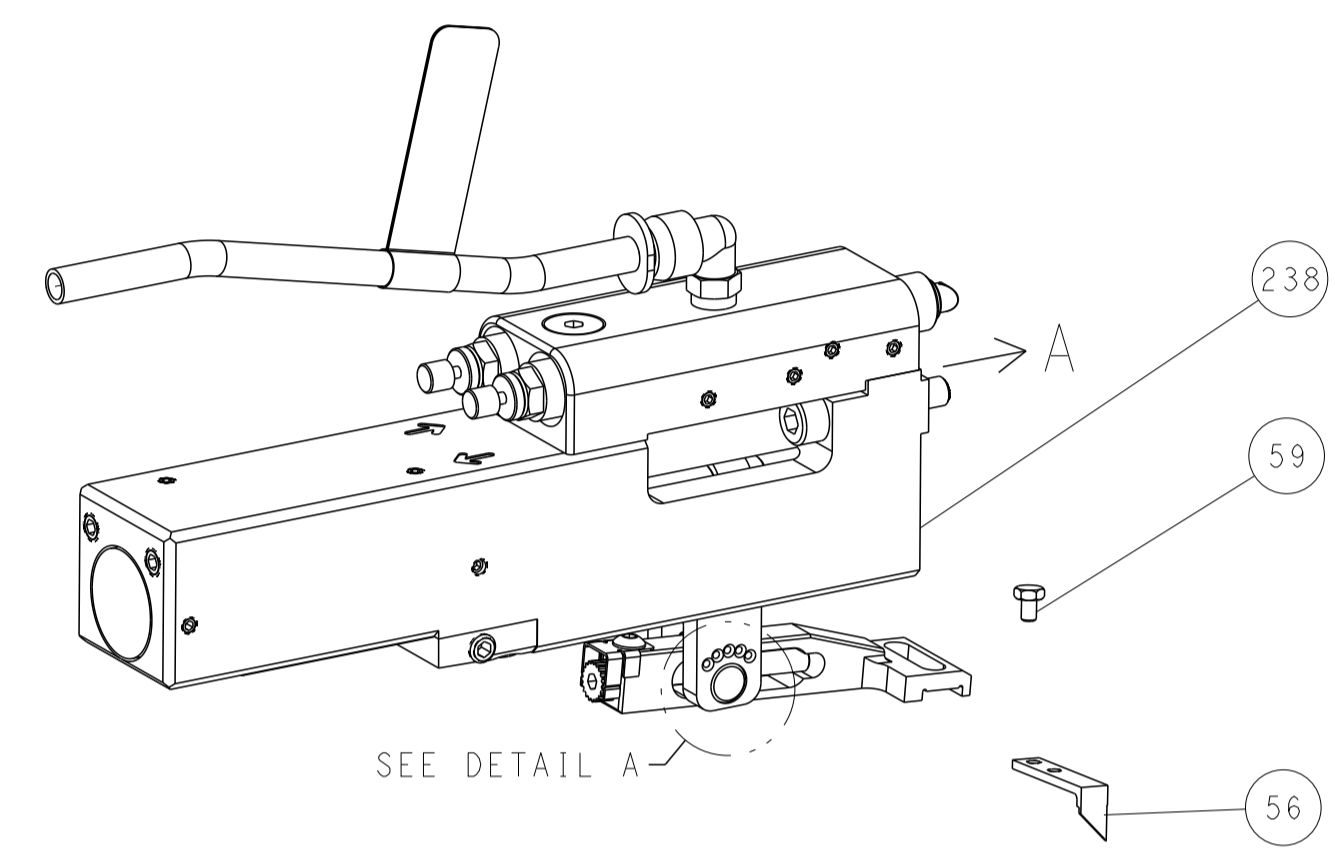
DIMENSIONS:		TOLERANCES UNLESS OTHERWISE SPECIFIED:		DWG		CHK		APVD		NAME		SIZE		CAGE CODE		DRAWING NO		RESTRICTED TO	
mm		0 PLC ±		H. HUANG		L. ZHANG		J. GUO		Ocean Side Feed Applicator		A1		00779		2266234		-	
MATERIAL		FINISH		18MAR2014		18MAR2014		18MAR2014		Customer Accessible Production Drawing		SCALE		SHEET		3 OF 4		REV	
												1:2						D	

LOC		DIST		REVISIONS			
A	66	P	LYR	DESCRIPTION	DATE	OWN	APVD
		-		SEE SHEET 1			

FEED TYPE MECHANICAL



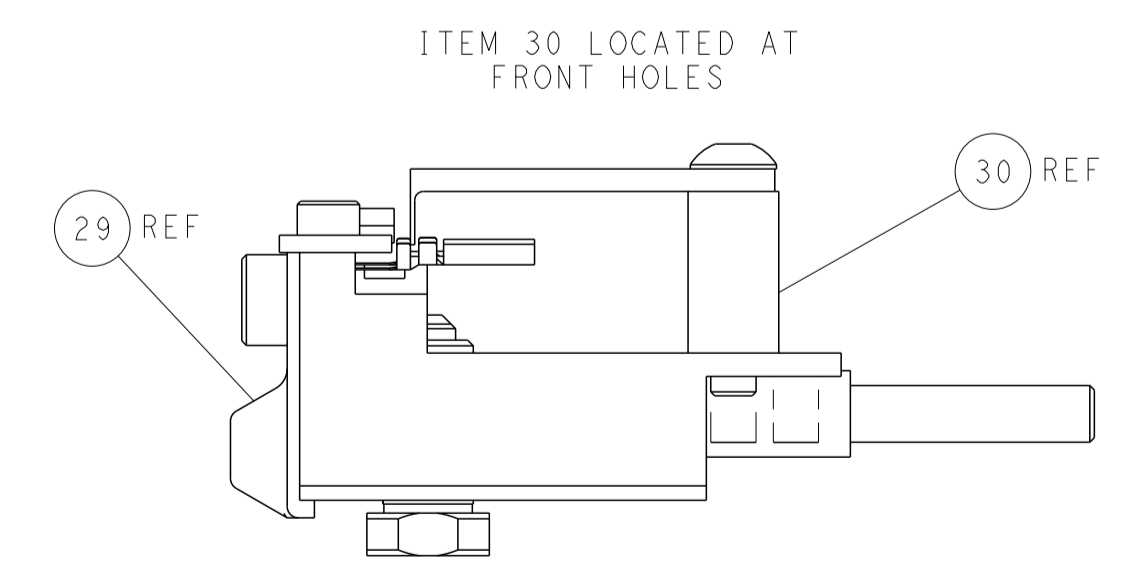
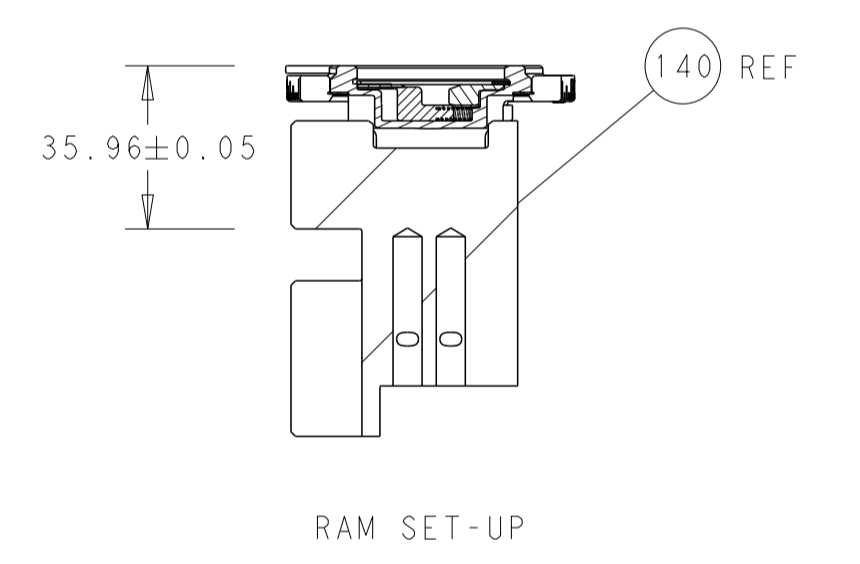
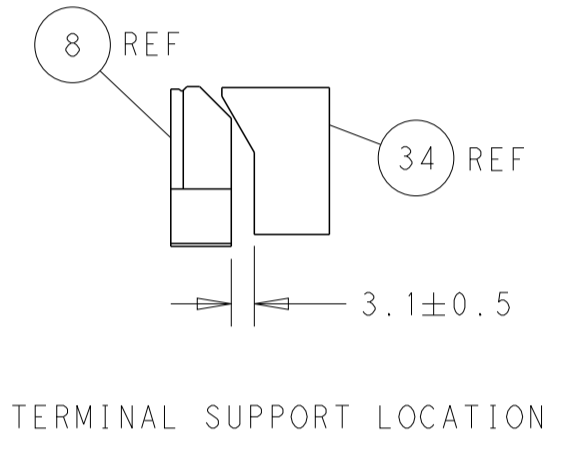
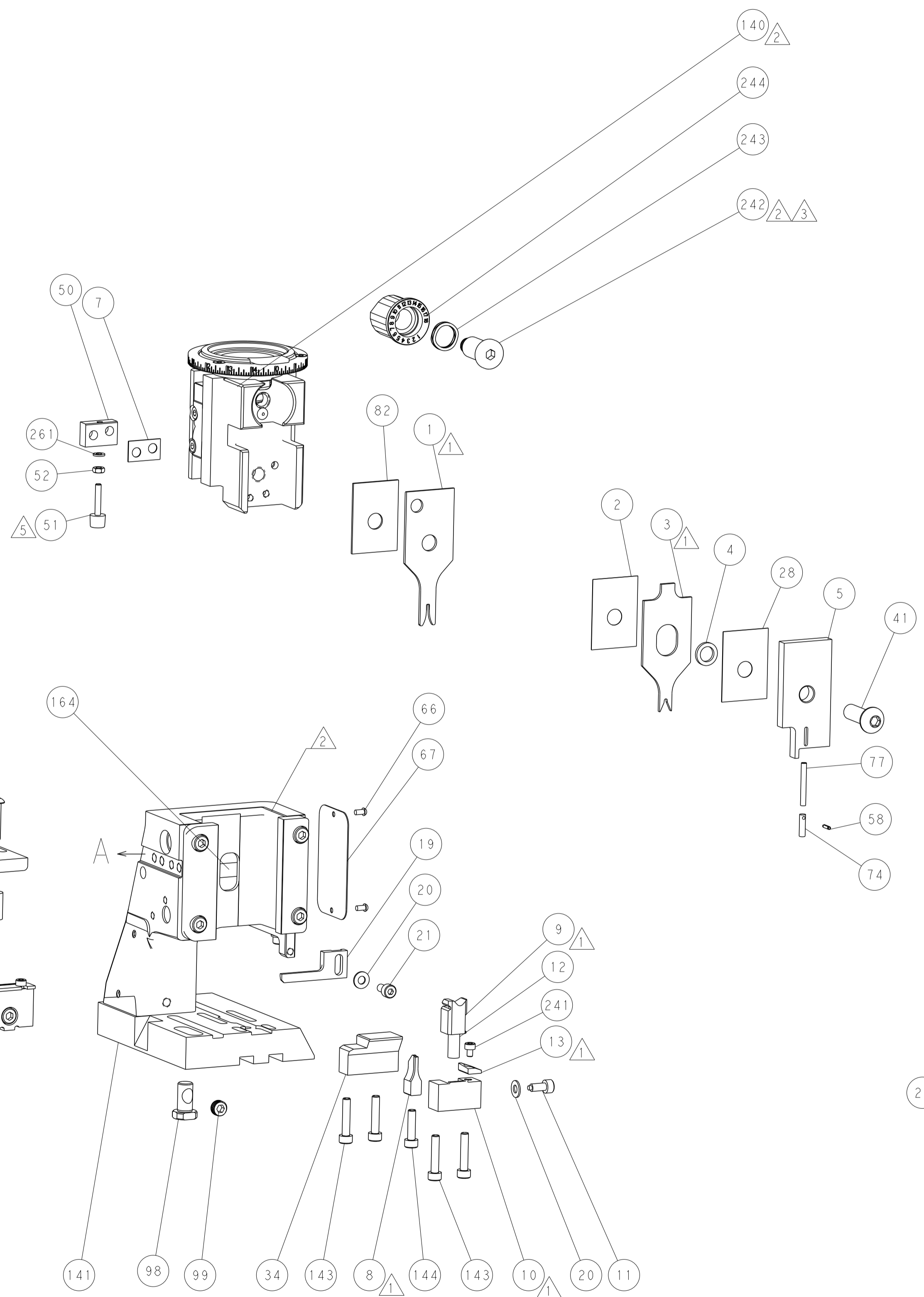
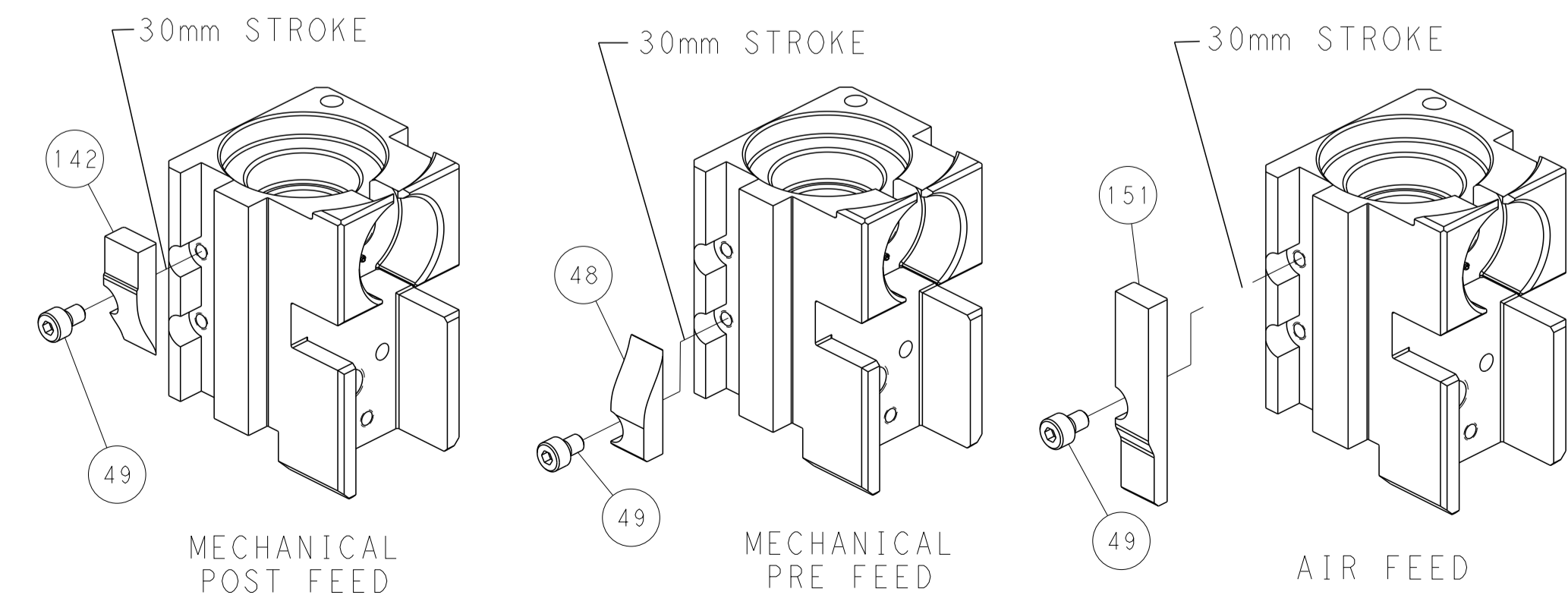
PNEUMATIC



FEED SPRING SETTING POSITION (SHOWN FROM REAR SIDE)



CAM POSITIONS



PACIFIC VERSION
 Shown on sheets 3 of 4 & 4 of 4
 (Atlantic version shown on sheets 1 of 4 & 2 of 4)

DIMENSIONS:		TOLERANCES UNLESS OTHERWISE SPECIFIED:		DWN H. HUANG 18MAR2014		STE TE Connectivity	
mm	0 PLC ±	1 PLC ±	2 PLC ±	3 PLC ±	4 PLC ±	5 PLC ±	Harrisburg, PA 17105-3608
MATERIAL:	FINISH:	WEIGHT:	SCALE:	APVD: H. GUO 18MAR2014	NAME:	SIZE:	RESTRICTED TO:
			1:2	PRODUCT SPEC:	Ocean Side Feed Applicator	CAGE CODE:	
				APPLICATION SPEC:		DRAWING NO:	
				ANGLE:		00779	
				FINISH:		©=2266234	
						Customer Accessible Production Drawing	