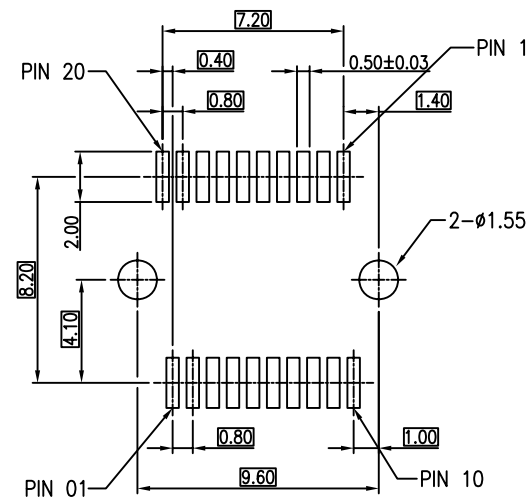
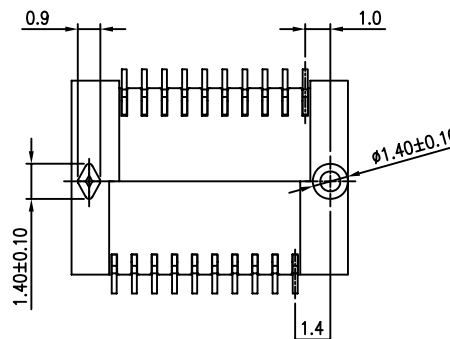
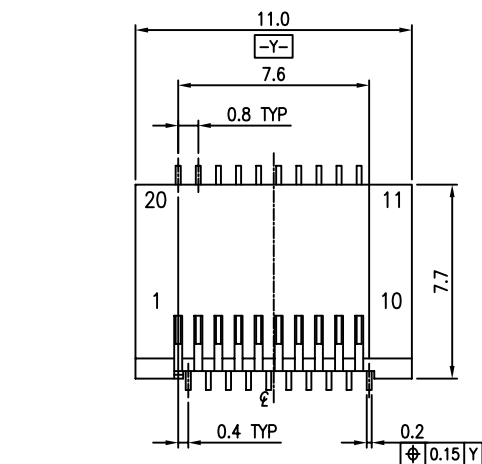
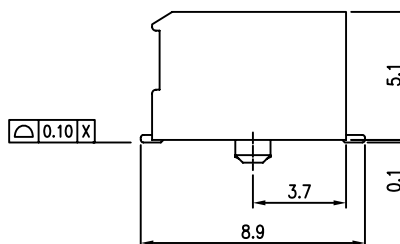
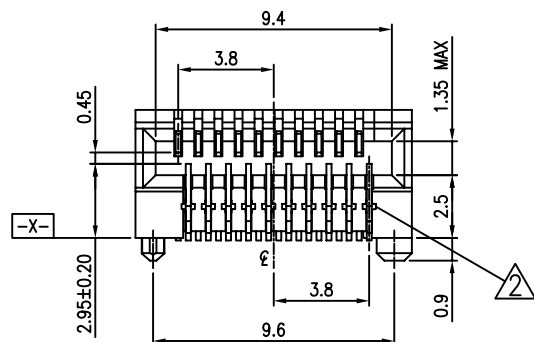


REVISION RECORD		
REV	DESCRIPTION	DRFT
1	NEW RELEASE	Jack 5/09/10'
2	ENGINEER CHANGE	Jack 1/11/12'



RECOMMENDED PCB LAYOUT

Tolerance:±0.05



Material:

1.Insulator:Glass-Reinforced Thermoplastic, UL 94V-0,Color:Black.

2.Contact:Copper Alloy.

Contact Plating:Gold Plating on Contact Area.
Over Nickel underplating overall.

3.ROHS Compliant

4.Durability:250 cycles min.

Electrical:

1.Voltage Rating:100VAC.

2.Current Rating:1A.

3.Contact Resistance:40 milliohms Max.

4.Dielectric Withstanding Voltage:500VAC Min.

5.Insulation Resistance:1000 Megaohms Min.

Environmental:

1.Temperature Range:-40°c to +85°c.

PART NO.:	PART NUMBER	REV	GOLD PLATING
	E81M0-002-01-LT	A	15u''
	E81M0-002-02-LT	A	30u''

MM (INCH)		RoHS Compliant		Pulse Electronics	
TOLERANCES EXCEPT AS NOTED					
MM					
.0 ± 0.25		±			
.00 ± 0.20		±			
.000 ± 0.10		±			
ANGLES ± 0.5°		TITLE			
THIRD ANGLE PROJECTION		SFP CONNECTOR			
DFTO : PETER		DRAWING NO. CE81M0-002-XX-LT		SIZE	REV
DATE : 07/07/2008		/PART NO. CE81M0-002-XX-LT		A3	2
SCALE : 5:1		DO NOT SCALE DRAWING		SHEET	OF
				1	1

8

7

6

5

4

3

2

1

A

B

C

D

E

F

G

H