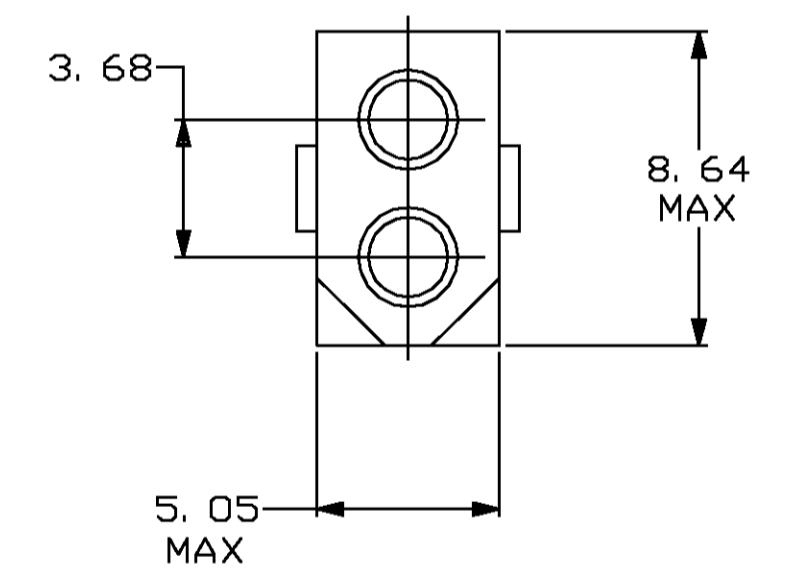
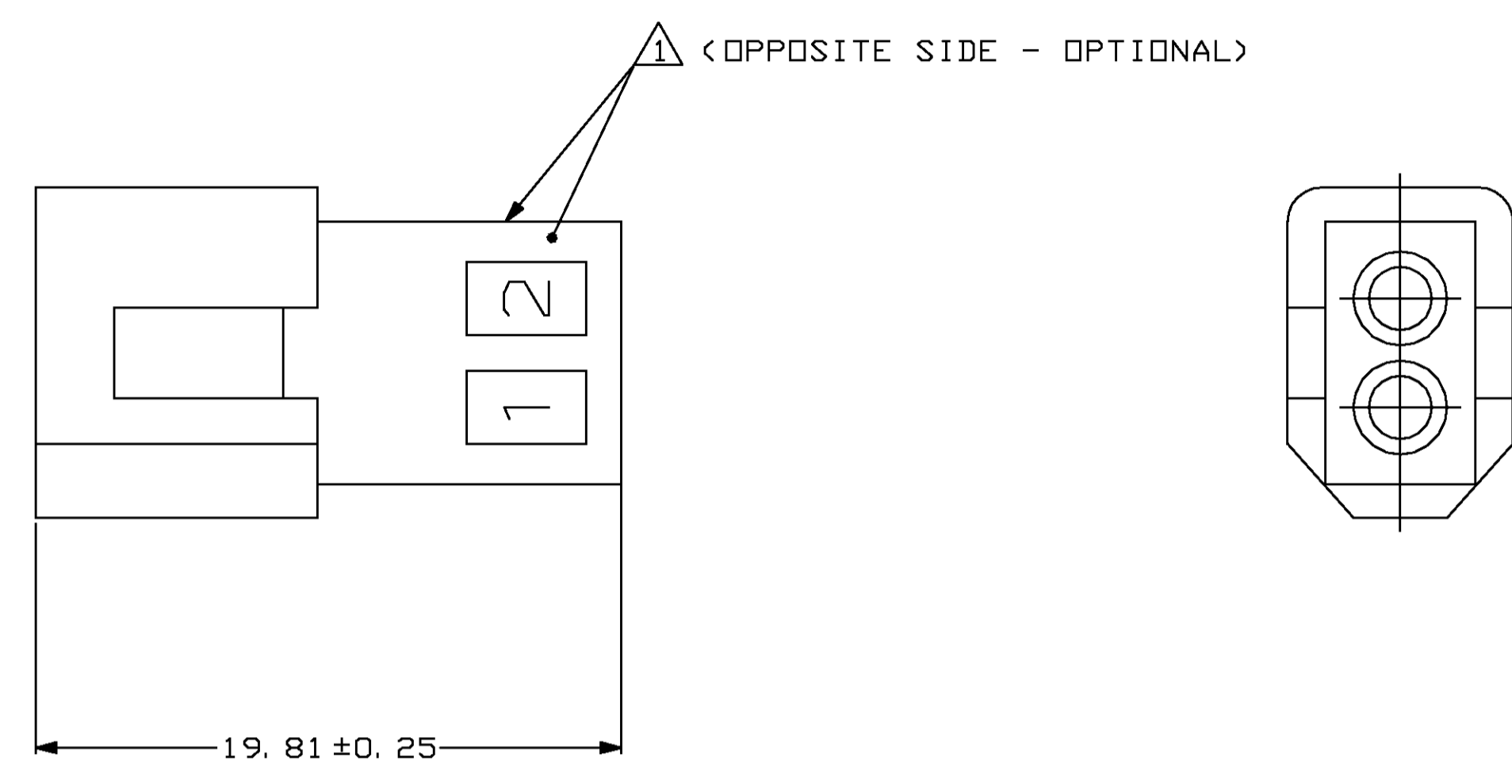
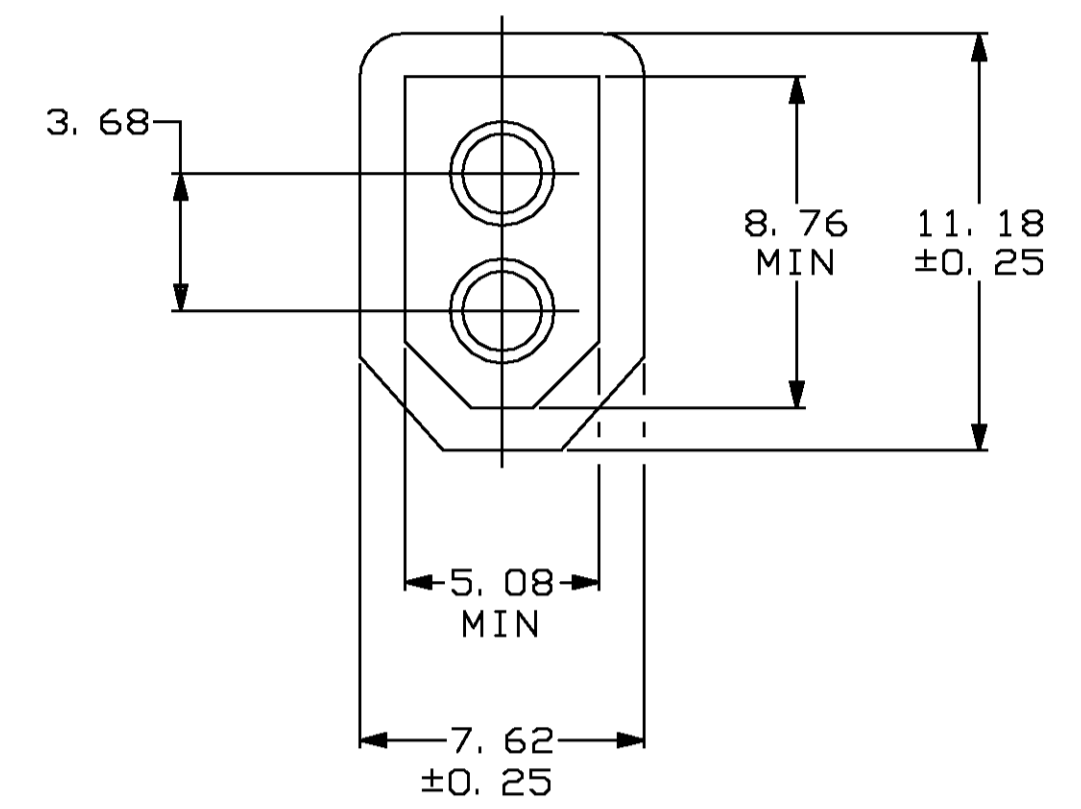
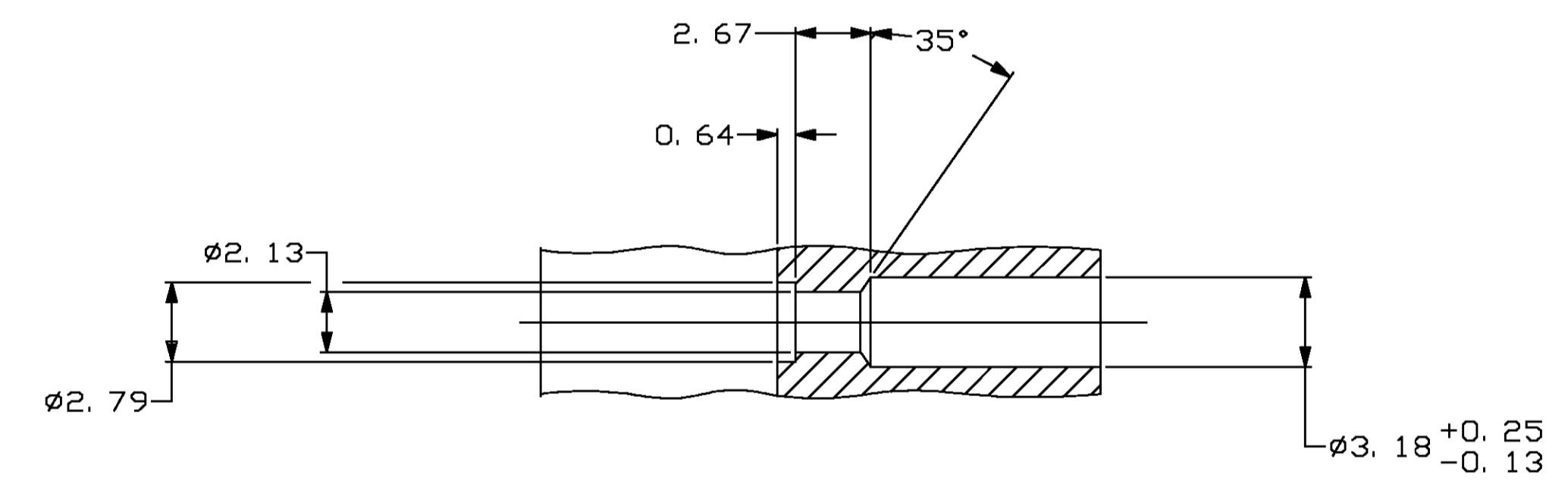


△ AMP LOGO AND CAVITY NUMBER LOCATED ON EITHER SURFACE.



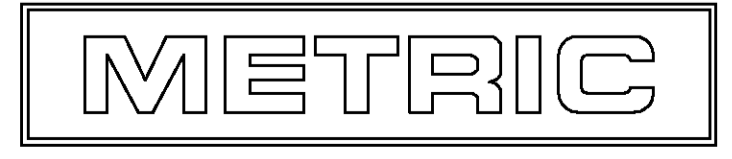
MATING CONNECTOR INTERFACE



TYPICAL PLUG CAVITY SECTION
(DIMENSIONS REFERENCE ONLY)

2.67	.105	5.08	.200	19.81	.780
2.13	.084	5.05	.199	11.18	.440
0.64	.025	3.68	.145	8.76	.345
0.25	.010	3.18	.125	8.64	.340
0.13	.005	2.79	.110	7.62	.300
MM	IN	MM	IN	MM	IN

CONVERSION TABLE



THIS DRAWING IS A CONTROLLED DOCUMENT.		DWN	L. McEACHIN, Sr.	30MAY00
		CHK	S. RIDGILL	30MAY00
		AP'D	S. RIDGILL	30MAY00
		NAME		
DIMENSIONS: MM		PRODUCT SPEC		
TOLERANCES UNLESS OTHERWISE SPECIFIED:		APPLICATION SPEC		
0 PLC ± -		WEIGHT -		
1 PLC ± -		SIZE		
2 PLC ± -		CASE CODE		
3 PLC ± 0.13		DRAWING NO		
4 PLC ± -		RESTRICTED TO		
ANGLES ± -		A1 00779 C=770340		
FINISH -		SCALE 5:1 SHEET 1 OF 1 REV G1		
MATERIAL: NYLON, UL 94V-2		CUSTOMER DRAWING		

BLACK	770340-3
NATURAL	770340-1
COLOR	PART NO



PLUG, 2 CIRCUIT,
.062 PIN AND SOCKET