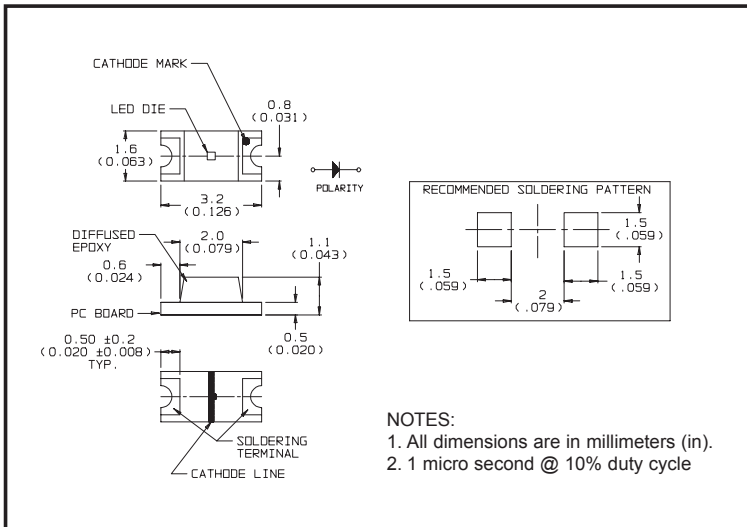


## CMDA2 Series HIGH BRIGHTNESS 1206 Package Size Surface Mount LED Description and Features



### Features

- High brightness
- Small size
- Industry standard 1206 Footprint
- Diffused optics
- Top emitting
- Compatible with IR solder profiles
- Ideal for use with Light Pipes
- Available in 8 mm tape on 7" diameter reel
- Packaged 3,000 pieces per reel
- RoHS Compliant

### Applications

- LCD backlighting
- Push button backlighting
- Front panel indicator
- Symbol indicator
- Microdisplays
- Small message panel signage

## Electro-Optical Characteristics and Ratings

Part Number	Output Color	Diffusion	Package Color	Test Current (mA)	Forward Voltage Typ. (V)	Forward Voltage Max. Typ. (V)	Luminous Intensity Min. (mcd)	Luminous Intensity Typ. (mcd)	Peak Wavelength (nm)	Viewing Angle (Degrees)
CMDA2DY7D1S	Amber	Diffused	White	20	1.9	2.4	25	90	595	170
CMDA2AR7D1S	Red	Diffused	White	20	1.9	2.4	25	90	637	170
CMDA2BA7D1S	Orange	Diffused	White	20	1.9	2.4	25	90	609	170

## Absolute Maximum Ratings to = 25°C

Part Number	Power Dissipation (mW)	Operating Temperature (°C)	Storage Temperature (°C)	Peak Forward Current Max. (See note 2) (mA)	Reverse Voltage (IR = 100 mA) (V)	Lead Solder Time at 230°C (Seconds)
DY	75	-30 to +85	-40 to +85	100	5	10
AR	75	-30 to +85	-40 to +85	100	5	10
BA	75	-30 to +85	-40 to +85	100	5	10