

# LoRa Module Data Sheet

MP Part Number: **CMWX1ZZABZ-078**

**For LoRa™**

## Revision History

Revision Code	Date	Description	Comments
A	June 8, 2016	Initial Draft	
B	July 1, 2016	Updated height and package info	
C	July 30, 2016	Revised some formats and $\Delta RF\_OPH\_V$ test condition from 2.4-3.7V to 2.2-3.6V. Updated some electronic Characteristics. Added the recommended land pattern.	
D	Aug 29, 2016	Updated the RF performance, Electrical Characteristics and power up sequence.	
E	Sep 28, 2016	Amended the pin description of PA0/WKUP1	
F	Oct 12, 2016	Amended the pin description of PA3 and PA2 Added label information	
G	Oct 13, 2016	Amended the pin description of MCU_nRST and BOOT0.	
H	Nov 7, 2016	Added Sample Part Number and MP Part Number	
I	Dec 1, 2016	Added weight info	
J	Dec 12, 2016	Added Sleep current info	
K	Feb 14, 2017	Added FCC and IC statements	

**TABLE OF CONTENTS**

1. Features .....	4
2. Part Number .....	4
3. Block Diagram .....	4
4. Dimensions, Marking and Terminal Configurations .....	5
5. Label Information .....	8
6. Absolute Maximum Ratings .....	9
7. Operating Condition .....	9
8. Electrical Characteristics .....	9
9. Power Sequences .....	11
10. Recommend Land Pattern .....	12
11. Reference circuit .....	13
12. Tape and Reel packing .....	14
13. Notice .....	17
14. Regulatory Statements .....	19

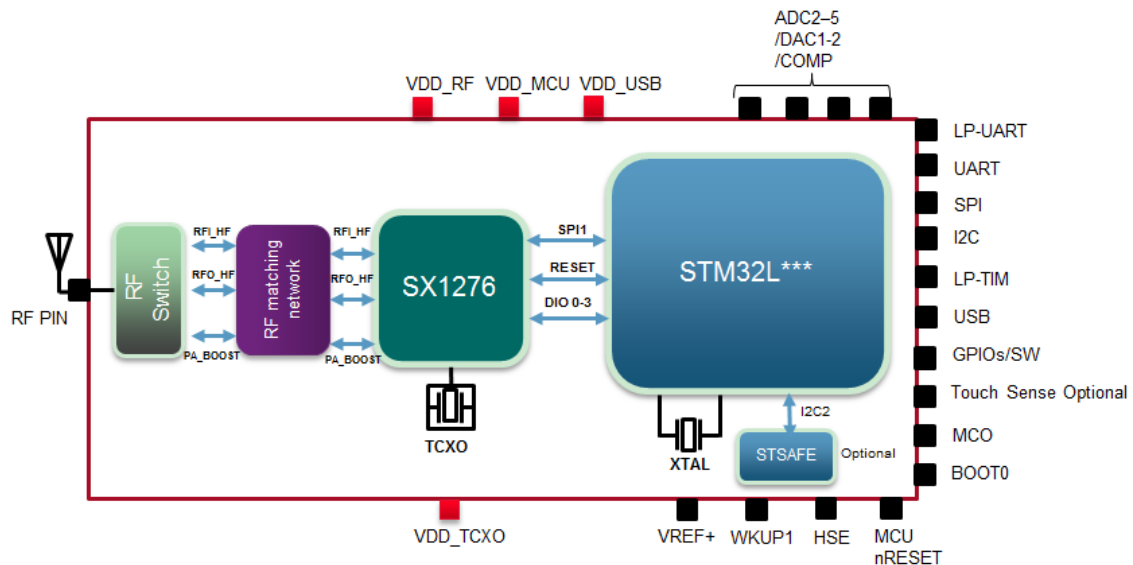
## 1. Features

Interfaces	: I2C, UART, USB, SPI
Main ICs	: STM32L, SX1276
Reference Clocks	: Integrated 32MHz clock (TCXO with frequency error= $\pm 2$ ppm) and 32.768KHz clock (frequency error= $\pm 20$ ppm)
Supported Frequencies	: 868 MHz, 915 MHz
Module Size	: 12.5 mm x 11.6 mm x 1.76 mm (Max)
Weight	: 0.48g (Typ)
Package	: Metal Shield can
RoHS	: This module is compliant with the RoHS directive

## 2. Part Number

Ordering Part Number	Description
B-L072Z-LRWAN1	Evaluation board (owned by ST)
CMWX1ZZABZ-078	P/N

## 3. Block Diagram



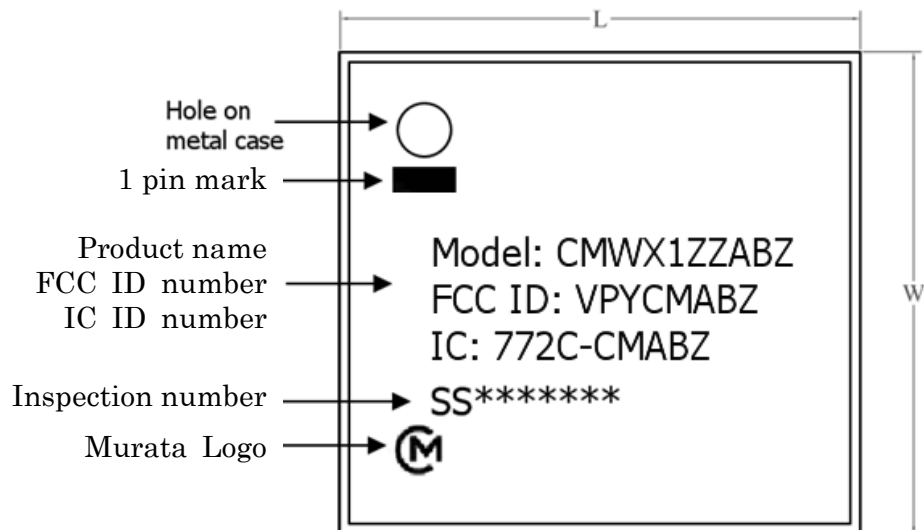
#### **4. Dimensions, Marking and Terminal Configurations**

Full datasheet with Terminal dimensions is available in my Murata. Check <https://my.murata.com> under the “LoRa/Sigfox Module, Type ABZ LoRa Support Site”.



16	PB13/SPI2_SCK	I/O	STM32L082_PB13	GPIO Mode:PB13 SPI2_SCK
17	PB12/SPI2_NSS	I/O	STM32L082_PB12	GPIO Mode:PB12 SPI2_NSS
18	PA10/USART1_RX	I/O	STM32L082_PA10	GPIO Mode:PA10 USART1_RX
19	PA9/USART1_TX	I/O	STM32L082_PA9	GPIO Mode:PA9 USART1_TX
20	PA8/MCO	I/O	STM32L082_PA8	GPIO Mode:PA8 MCO
21	PA5/ADC5/DAC2	I/O	STM32L082_PA5	GPIO Mode:PA5 COMP2_INM ADC_IN5 DAC_OUT2 Possible to connect to Pin10 for future usage. Contact ST for more information
22	PA4/ADC4/DAC1	I/O	STM32L082_PA4	GPIO Mode:PA4 COMP2_INM ADC_IN4 DAC_OUT1 Possible to connect to Pin11 for future usage. Contact ST for more information
23	PA3/ADC3	I/O	STM32L082_PA3	GPIO Mode:PA3 COMP2_INP ADC_IN3 USART2_RX
24	PA2/ADC2	I/O	STM32L082_PA2	GPIO Mode:PA2 COMP2_OUT ADC_IN2 USART2_TX
25	GND	Ground	-	Ground
26	ANT	A,I/O	-	Transmit / Receive Antenna
27	GND	Ground	-	Ground
28	DBG_CRF1	I/O	STM32L082_PA1	Debug pin. Cannot be used as GPIO
29	DBG_CRF3	I/O	STM32L082_PC1	Debug pin. Cannot be used as GPIO
30	DBG_CRF2	I/O	STM32L082_PC2	Debug pin. Cannot be used as GPIO
31	STSAFE_nRST	I	-	Reset for Security IC
32	VREF+	Power	-	Reference Voltage For ADC and DAC
33	PA0/WKUP1	I/O	STM32L082_PA0	GPIO Mode:PA0 COMP1_OUT ADC_IN0
34	MCU_nRST	I	STM32L082_nRST	NRST
35	PB8/I2C1_SCL	I/O	STM32L082_PB8	GPIO Mode:PB8 I2C mode: SCL
36	PB9/I2C1_SDA	I/O	STM32L082_PB9	GPIO Mode: PB9 I2C mode: SDA
37	PB2/LPTIM1_OUT	I/O	STM32L082_PB2	GPIO Mode:PB2 LPTIM1_OUT
38	PB7/LPTIM1_IN2	I/O	STM32L082_PB7	GPIO Mode:PB7

## 5. Label Information





## 6. Absolute Maximum Ratings

**Table 3** Maximum ratings

Parameters		Min	Typ	Max	Unit
Storage Temperature		-40	25	+90	degC
Input RF Level		-	-	10	dBm
Supply Voltage	VDD_USB	-0.3	-	3.9	V
	VDD_MCU, VDD_RF, VDD_TCXO	-0.3	-	3.9	V
	VREF+	-0.3	-	V <sub>DD_MCU</sub> +0.4	V

## 7. Operating Condition

**Table 4** Operating specification

Parameters		Min	Typ	Max	Unit
Operating Temperature		-40	25	+85	degC
Supply Voltage	VDD_USB (USB peripheral used) <sup>(1)</sup>	3.0	-	3.6	V
	VDD_USB(USB peripheral not used) <sup>(1)</sup>	V <sub>DD_MCU_min</sub>	V <sub>DD_MCU</sub>	V <sub>DD_MCU_max</sub>	V
	VDD_MCU, VDD_RF, VDD_TCXO	2.2 <sup>(3)</sup>	-	3.6	V
	VREF+ <sup>(2)</sup>	1.8	-	V <sub>DD_MCU</sub>	V

(1) VDD\_USB must respect the following conditions:

- When VDD\_MCU is powered on (VDD\_MCU < VDD\_MCU\_min), VDD\_USB should be always lower than VDD\_MCU.
- When VDD\_MCU is powered down (VDD\_MCU < VDD\_MCU\_min), VDD\_USB should be always lower than VDD\_MCU.

- In operating mode, VDD\_USB could be lower or higher than VDD\_MCU.

- If the USB is not used, VDD\_USB must be tied to VDD\_MCU to be able to use PA11 and PA12 as standard I/Os.

(2) VREF+ is used to ensure a better accuracy on low-voltage inputs and outputs of ADC and DAC. Detailed information is on the STM32L082\*\*\* datasheet and user guider.

(3) When module is on +20dBm operation, the supply of the voltage should be set from 2.4V to 3.6V.

## 8. Electrical Characteristics

### 8.1 FSK/OOK Transceiver Specification

Conditions:

Supply voltage VDD=3.3 V, temperature = 25 °C, FXOSC = 32 MHz, FRF =868/915 MHz , 2-level FSK modulation without pre-filtering, FDA = 5 kHz, Bit Rate = 4.8 kb/s and terminated in a matched 50 Ohm impedance, shared Rx and Tx path matching, unless otherwise specified.

#### FSK/OOK Receiver Specification

Symbol	Description	Conditions	Min.	Typ	Max	Unit
RFS_F_HF	LnaBoost is turned on	FDA = 5 kHz, BR = 4.8 kb/s		-117.5		dBm
IDDR	Supply current in Receive mode	LnaBoost Off, band 1		22		mA
		LnaBoost On, band 1		23		mA

#### FSK/OOK Transmitter Specification

Symbol	Description	Conditions	Min.	Typ	Max	Unit
RF_OP	RF output power in 50 ohms on RFO pin ( High efficiency PA)	Programmable with steps	Max	14		dBm
			Min	-5		dBm
RF_OPH	RF output power in 50 ohms on PA_BOOST pin( Regulated PA)	Programmable with 1dB steps	Max	18.5		dBm
			Min	2		dBm
ΔRF_OPH_V	RF output power stability on PA_BOOST pin versus voltage supply.	VDD = 2.2 V to 3.6 V		+/-1		dB
ΔRF_T	RF output power stability versus temperature on PA_BOOST pin.	From T = -40 °C to +85 °C		+/-1.5		dB
IDDT	Supply current in Transmit	RFOP = +20 dBm, on		128		mA

mode with impedance matching	PA_BOOST				
	RFOP = +17 dBm, on PA_BOOST		106		mA
	RFOP = +14 dBm, on RFO_HF pin		47		mA
	RFOP = + 7 dBm, on RFO_HF pin		34		mA

## 8.2 LoRa Transceiver Specification

Conditions:

The table below gives the electrical specifications for the transceiver operating with LoRa™ modulation. Following conditions apply unless otherwise specified: Supply voltage = 3.3 V, Temperature = 25° C, FXOSC = 32 MHz, Error Correction Code (EC) = 4/5, Packet Error Rate (PER)= 1%, CRC on payload enabled, Payload length = 10 bytes. With matched impedances

### LoRa Receiver Specification

Symbol	Description	Conditions	Min.	Typ	Max	Unit
IDDR_L	Supply current in receiver LoRa mode, LnaBoost off	Band 1, BW = 125 kHz		21.5		mA
		Band 1, BW = 250 kHz		22.2		mA
		Band 1, BW = 500 kHz		23.6		mA
RFS_L125_HF	RF sensitivity, Long-Range Mode, highest LNA gain, LnaBoost for Band1, using split Rx/Tx path 125 kHz bandwidth	SF = 6		-117.5		dBm
		SF = 7		-122.5		dBm
		SF = 8		-125.5		dBm
		SF = 9		-128.5		dBm
		SF = 10		-131.0		dBm
		SF = 11		-133.5		dBm
RFS_L250_HF	RF sensitivity, Long-Range Mode, highest LNA gain, LnaBoost for Band1, using split Rx/Tx path 250 kHz bandwidth	SF = 6		-114.0		dBm
		SF = 7		-119.0		dBm
		SF = 8		-122.0		dBm
		SF = 9		-125.0		dBm
		SF = 10		-127.5		dBm
		SF = 11		-130.0		dBm
SF = 12		-133.0		dBm		

### LoRa Transmitter Specification

Symbol	Description	Conditions	Min.	Typ	Max	Unit
IDDT_L	Supply current in transmitter mode	RFOP setting = 14 dBm		47		mA
		RFOP setting = 10 dBm		36		mA
IDDT_H_L	Supply current in transmitter mode	Using PA_BOOST pin RFOP setting = 20 dBm		128		mA

### 8.3 Low power mode current

Conditions:

Power supply: 3.3V, Temp: Room, TCXO\_VDD (pin 48 of the module) is connected to PA12 (Pin1 of the module)

Mode	Description	Min.	Typ	Max	Unit
Mode0	STM32L0 in Stop mode with RTC (Real Time Clock) <sup>(*1)</sup> SX1276 in Sleep mode		1.65		uA
Mode1	STM32L0 in Standby mode with RTC (Real Time Clock) <sup>(*2)</sup> SX1276 in Sleep mode		1.40		uA

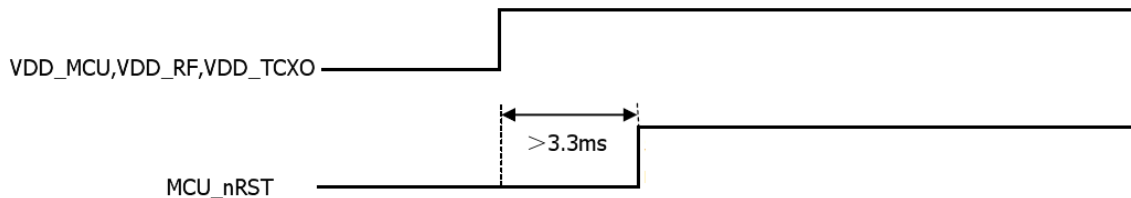
(\*1) The Stop mode achieves the lowest power consumption while retaining the RAM and register contents and real time clock. All clocks in the V<sub>CORE</sub> domain are stopped, the PLL, MSI RC, HSE crystal and HSI RC oscillators are disabled. The LSE or LSI is still running. The voltage regulator is in the low-power mode.

Some peripherals featuring wakeup capability can enable the HSI RC during Stop mode to detect their wakeup condition. The device can be woken up from Stop mode by any of the EXTI line, in 3.5us, the processor can serve the interrupt or resume the code. The EXTI line source can be any GPIO. It can be the PVD output, the comparator 1 event or comparator 2 event (if internal reference voltage is on), it can be the RTC alarm/tamper/timestamp/wakeup events, the USB/USART/I2C/LPUART/LPTIMER wakeup events.

(\*2) The Standby mode is used to achieve the lowest power consumption and real time clock. The internal voltage regulator is switched off so that the entire V<sub>CORE</sub> domain is powered off. The PLL, MSI RC, HSE crystal and HSI RC oscillators are also switched off. The LSE or LSI is still running. After entering Standby mode, the RAM and register contents are lost except for registers in the Standby circuitry (wakeup logic, IWDG, RTC, LSI, LSE Crystal 32 KHz oscillator, RCC\_CSR register). The device exits Standby mode in 60 μs when an external reset (NRST pin), an IWDG reset, a rising edge on one of the three WKUP pins, RTC alarm (Alarm A or Alarm B), RTC tamper event, RTC timestamp event or RTC Wakeup event occurs.

## 9. Power Sequences

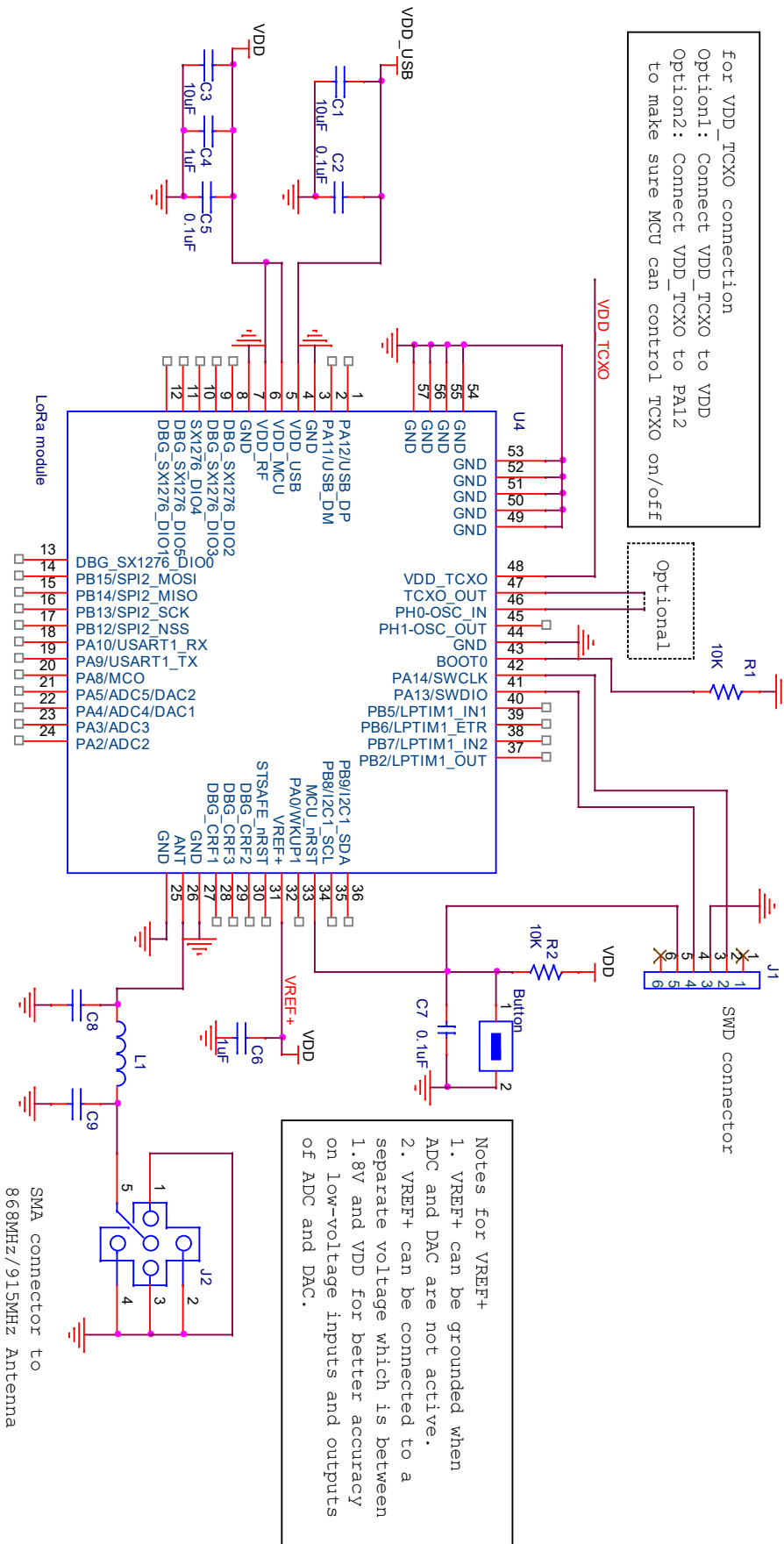
### 9.1 Power Up Sequence



## **10. Recommend Land Pattern**

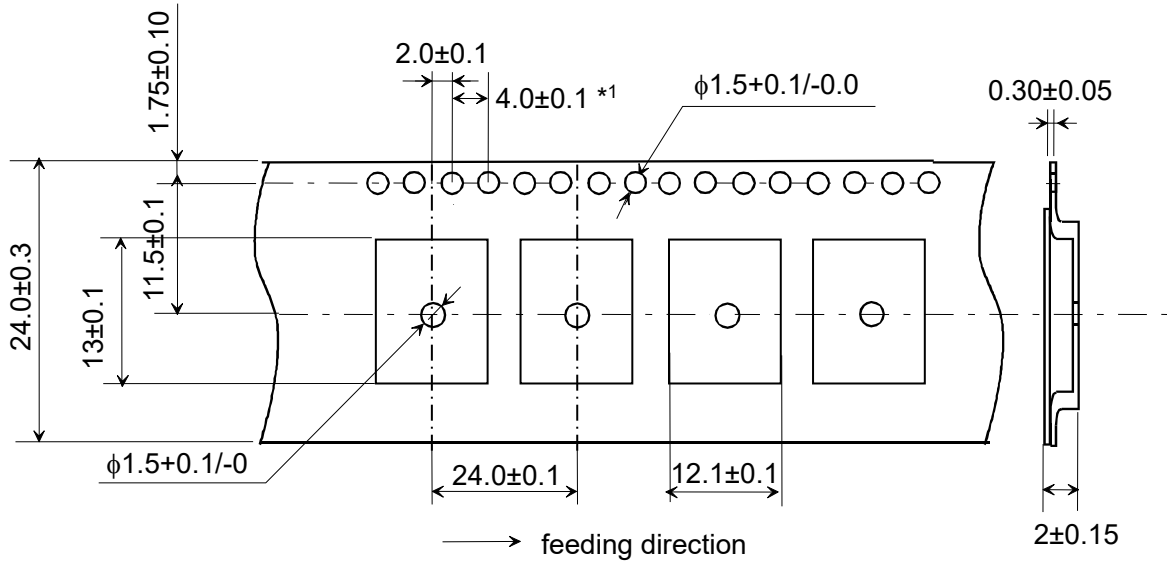
Full datasheet with recommended land pattern is available in my Murata. Check <https://my.murata.com> under the “LoRa/Sigfox Module, Type ABZ LoRa Support Site”.

**11. Reference circuit**



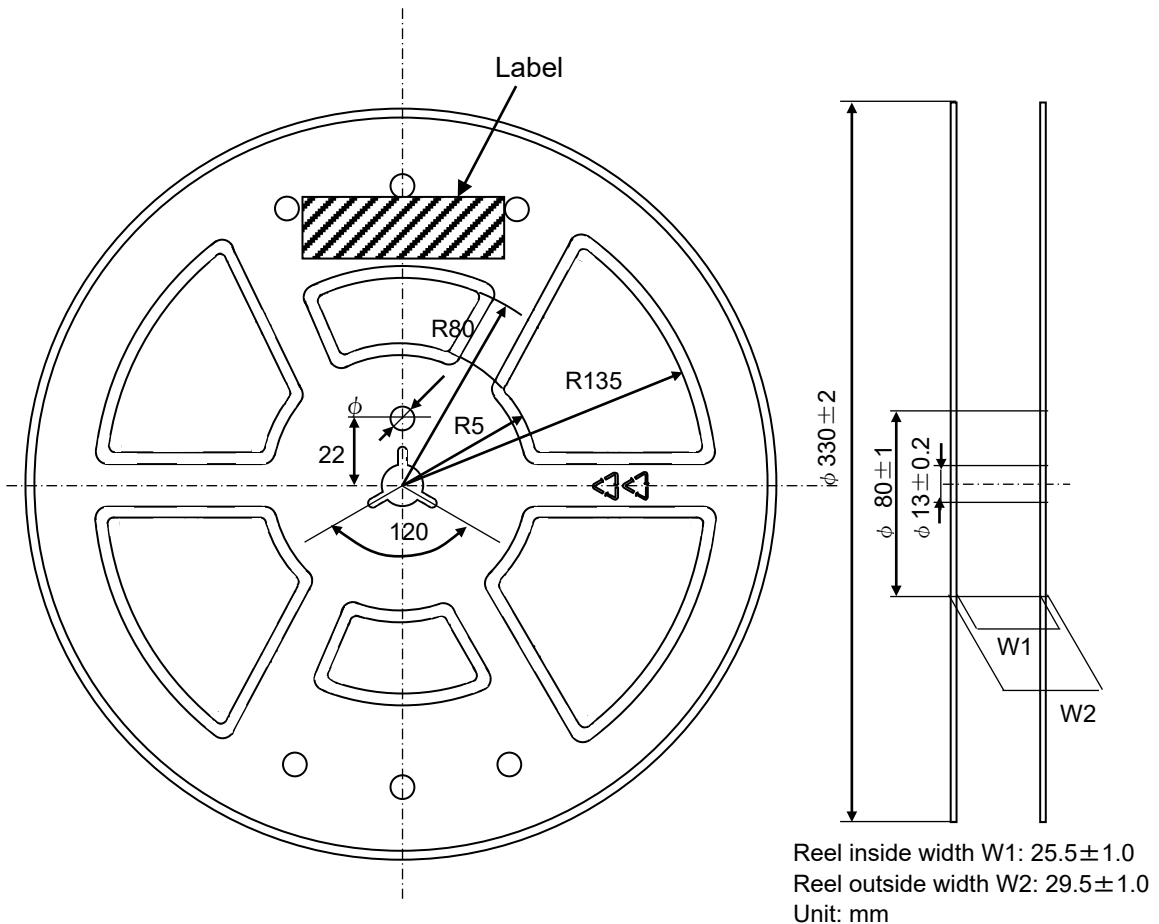
## 12. Tape and Reel packing

### 12.1 Dimension of Tape (Plastic tape)



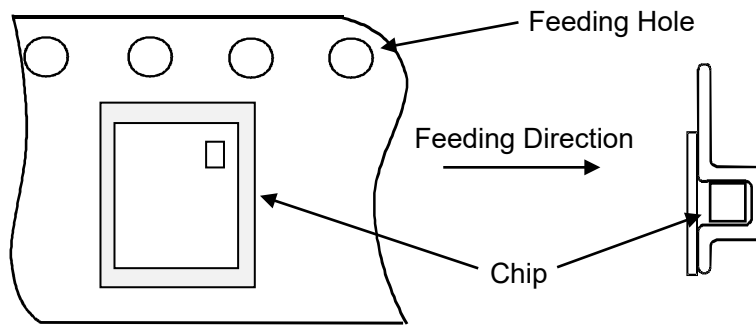
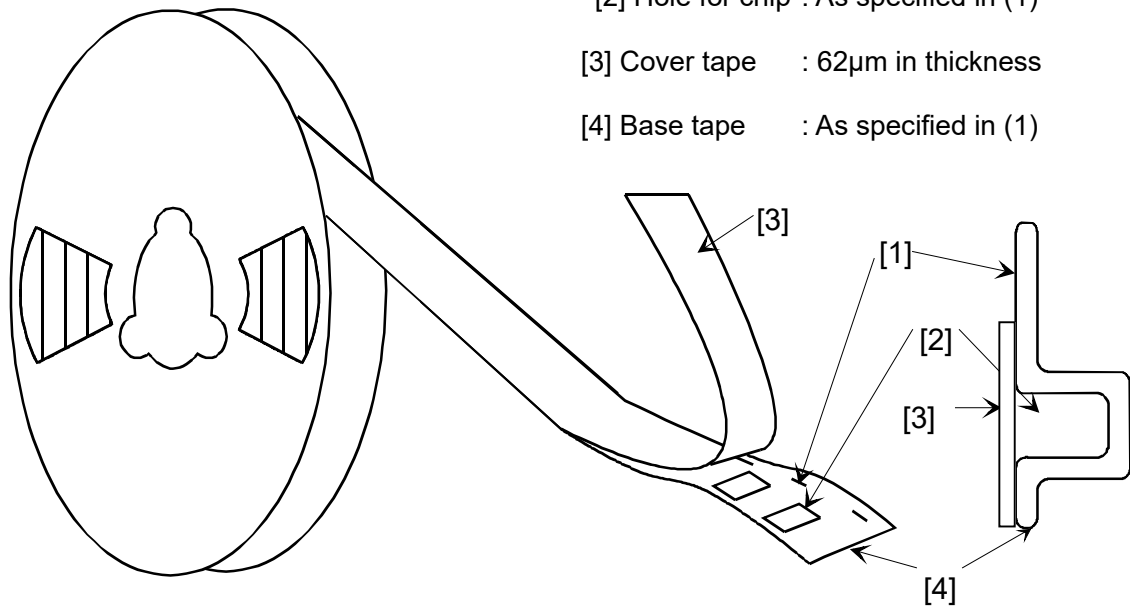
(unit : mm)

### 12.2 Dimensions of Reel

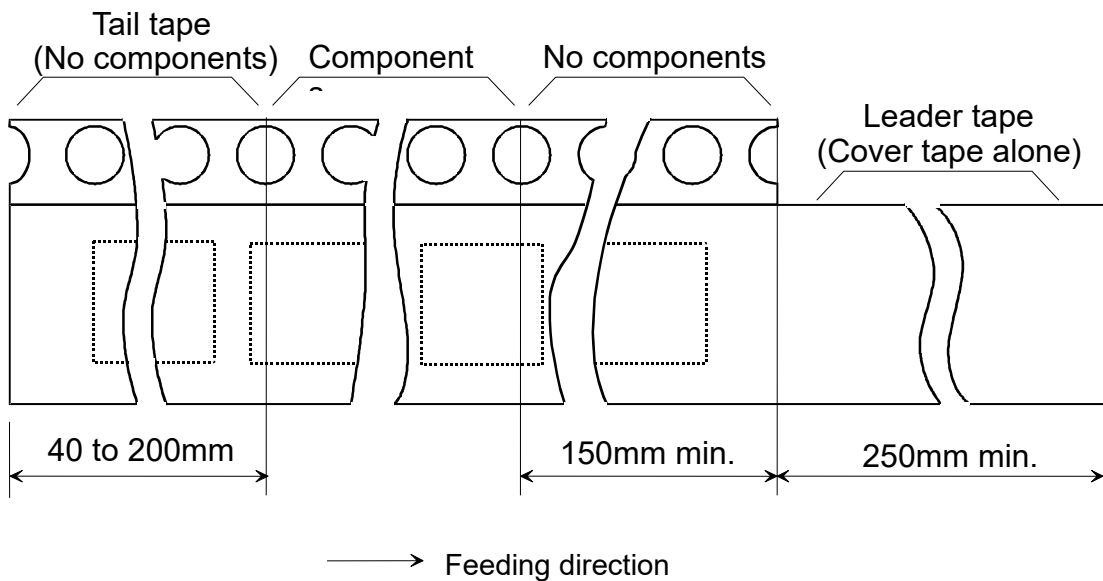


**12.3 Taping Diagrams**

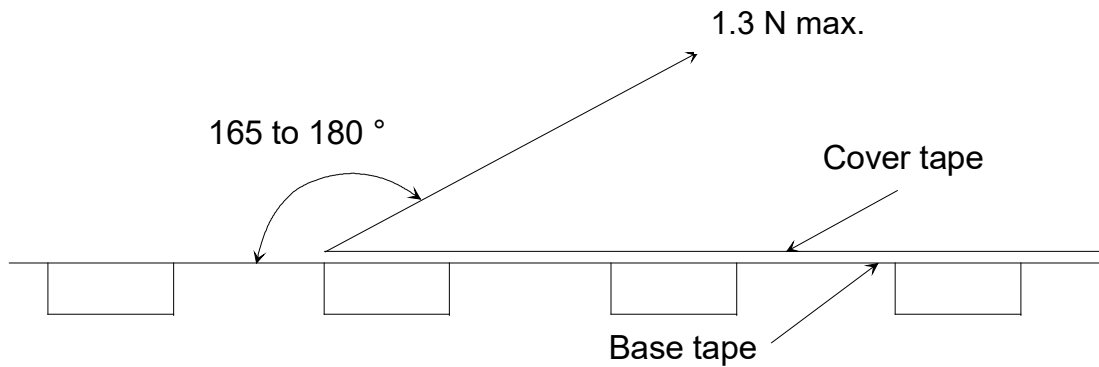
- [1] Feeding Hole : As specified in (1)
- [2] Hole for chip : As specified in (1)
- [3] Cover tape : 62μm in thickness
- [4] Base tape : As specified in (1)



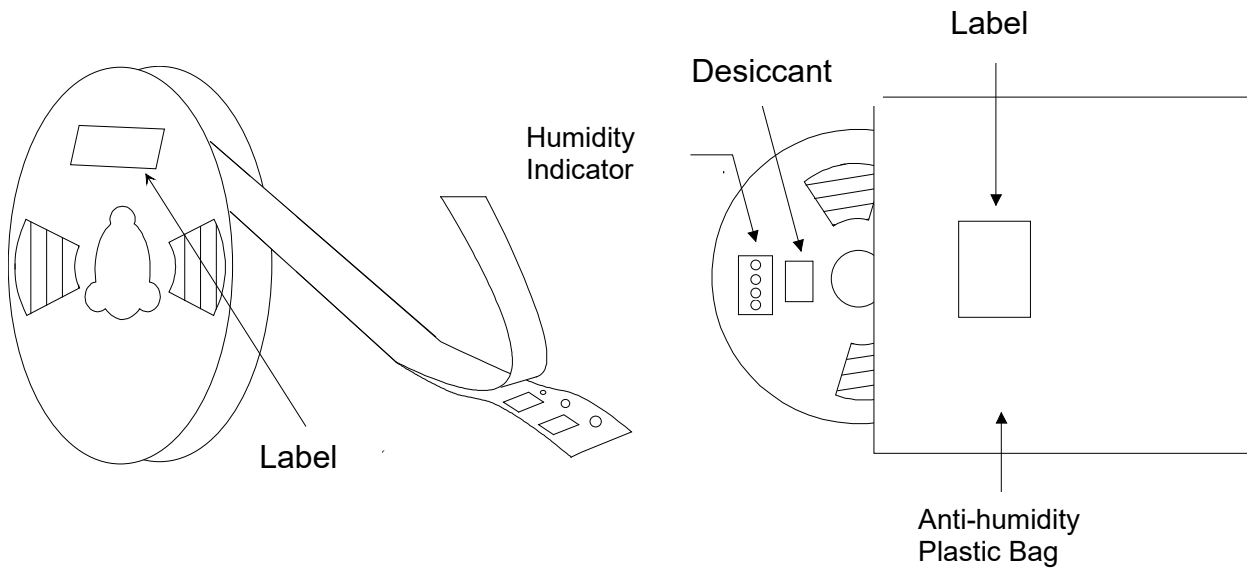
**12.4 Leader and Tail tape**



- The tape for chips are wound clockwise, the feeding holes to the right side as the tape is pulled toward the user.
- The cover tape and base tape are not adhered at no components area for 250mm min.
- Tear off strength against pulling of cover tape : 5N min.
- Packaging unit : 1000 pcs/ reel
- Material
  - Base tape : Plastic
  - Reel : Plastic
  - Cover tape, cavity tape and reel are made the anti-static processing.
- Peeling of force: 1.3N max. in the direction of peeling as shown below.



- Packaging (Humidity proof Packing)



Tape and reel must be sealed with the anti-humidity plastic bag. The bag contains the desiccant and the humidity indicator.



## **13. Notice**

### **13.1 Storage Conditions**

Please use this product within 6month after receipt.

- The product shall be stored without opening the packing under the ambient temperature from 5 to 35 °C and humidity from 20 ~ 70 %RH.

(Packing materials, in particular, may be deformed at the temperature over 40 °C)

- The product left more than 6months after reception, it needs to be confirmed the solderbility before used.

- The product shall be stored in non corrosive gas (Cl<sub>2</sub>, NH<sub>3</sub>, SO<sub>2</sub>, Nox, etc.).

- Any excess mechanical shock including, but not limited to, sticking the packing materials by sharp object and dropping the product, shall not be applied in order not to damage the packing materials.

This product is applicable to MSL3 (Based on IPC/JEDEC J-STD-020)

- After the packing opened, the product shall be stored at <30 °C / <60 %RH and the product shall be used within 168 hours.

- When the color of the indicator in the packing changed, the product shall be baked before soldering.

Baking condition: 125 +5/-0 °C, 24 hours, 1 time

The products shall be baked on the heat-resistant tray because the material (Base Tape, Reel Tape and Cover Tape) are not heat-resistant.

### **13.2 Handling Conditions**

Be careful in handling or transporting products because excessive stress or mechanical shock may break products.

Handle with care if products may have cracks or damages on their terminals, the characteristics of products may change. Do not touch products with bear hands that may result in poor solderability.

### **13.3 Standard PCB Design (Land Pattern and Dimensions)**

All the ground terminals should be connected to the ground patterns. Furthermore, the ground pattern should be provided between IN and OUT terminals. Please refer to the specifications for the standard land dimensions.

The recommended land pattern and dimensions is as Murata's standard. The characteristics of products may vary depending on the pattern drawing method, grounding method, land dimensions, land forming method of the NC terminals and the PCB material and thickness. Therefore, be sure to verify the characteristics in the actual set. When using non-standard lands, contact Murata beforehand.

### **13.4 Notice for Chip Placer :**

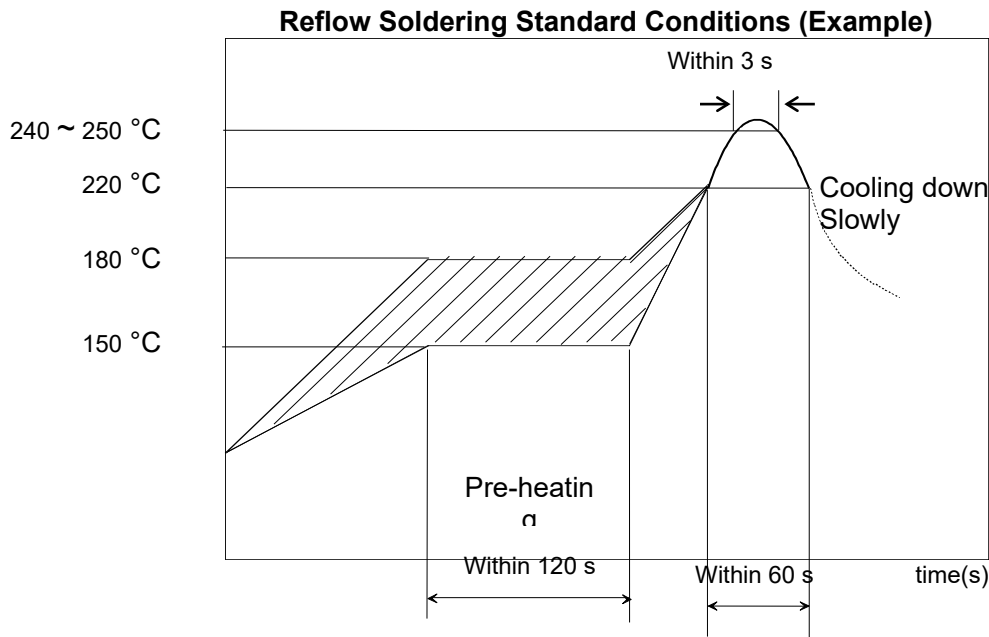
When placing products on the PCB, products may be stressed and broken by uneven forces from a worn-out chucking locating claw or a suction nozzle. To prevent products from damages, be sure to follow the specifications for the maintenance of the chip placer being used. For the positioning of products on the PCB, be aware that mechanical chucking may damage products.

### **13.5 Soldering Conditions :**

The recommendation conditions of soldering are as in the following figure.

When products are immersed in solvent after mounting, pay special attention to maintain the temperature difference within 100 °C. Soldering must be carried out by the above mentioned conditions to prevent products from damage. Set up the highest temperature of reflow within 260 °C.

Contact Murata before use if concerning other soldering conditions.



Please use the reflow within 2 times.

Use rosin type flux or weakly active flux with a chlorine content of 0.2 wt % or less.

### 13.6 Cleaning :

Since this Product is Moisture Sensitive, any cleaning is not permitted.

### 13.7 Operational Environment Conditions :

Products are designed to work for electronic products under normal environmental conditions (ambient temperature, humidity and pressure). Therefore, products have no problems to be used under the similar conditions to the above-mentioned. However, if products are used under the following circumstances, it may damage products and leakage of electricity and abnormal temperature may occur.

- In an atmosphere containing corrosive gas ( Cl<sub>2</sub>, NH<sub>3</sub>, SO<sub>x</sub>, NO<sub>x</sub> etc.).
- In an atmosphere containing combustible and volatile gases.
- Dusty place.
- Direct sunlight place.
- Water splashing place.
- Humid place where water condenses.
- Freezing place.

If there are possibilities for products to be used under the preceding clause, consult with Murata before actual use.

As it might be a cause of degradation or destruction to apply static electricity to products, do not apply static electricity or excessive voltage while assembling and measuring.

### 13.8 Input Power Capacity :

Products shall be used in the input power capacity as specified in this specifications.

Inform Murata beforehand, in case that the components are used beyond such input power capacity range.

## **14. Regulatory Statements**

### **14.1 FCC Statements**

This device complies with Part 15 of the FCC Rules. Operation is subject to the following two conditions:

- (1) This device may not cause harmful interference, and
- (2) This device must accept any interference received, including interference that may cause undesired operation.

Cet appareil est conforme à la section 15 des réglementations de la FCC. Le fonctionnement de l'appareil est sujet aux deux conditions suivantes :

- (1) cet appareil ne doit pas provoquer d'interférences néfastes, et
- (2) cet appareil doit tolérer les interférences reçues, y compris celles qui risquent de provoquer un fonctionnement indésirable.

Note: This product has been tested and found to comply with the limits for a Class B digital device, pursuant to Part 15 of the FCC Rules. These limits are designed to provide reasonable protection against harmful interference in a residential installation. This product generates, uses, and can radiate radio frequency energy and, if not installed and used in accordance with the instructions, may cause harmful interference to radio communications. However, there is no guarantee that interference will not occur in a particular installation. If this product does cause harmful interference to radio or television reception, which can be determined by turning the equipment off and on, the user is encouraged to try to correct the interference by one or more of the following measures:

- Reorient or relocate the receiving antenna.
- Increase the separation between the equipment and receiver.
- Connect the equipment into an outlet on a circuit different from that to which the receiver is connected.
- Consult the dealer or an experienced radio/TV technician for help.

Please take attention that changes or modification not expressly approved by the party responsible for compliance could void the user's authority to operate the equipment.

This equipment should be installed and operated with a minimum distance 20cm between the radiator and your body

Cet équipement doit être installé et utilisé à une distance minimale de 20 cm entre le radiateur et votre corps

When the FCC ID is not visible when the module is installed inside another device, then the outside of the device into which the module is installed must also display a label referring to the enclosed module. This exterior label can be use wording "Contains transmitter module FCC ID: VPYCMABZ" or "Contains FCC ID: VPYCMABZ".

## 14.2 IC Statements

This device complies with Industry Canada licence-exempt RSS standard(s). Operation is subject to the following two conditions:

- (1) this device may not cause interference, and
- (2) this device must accept any interference, including interference that may cause undesired operation of the device.

Le présent appareil est conforme aux CNR d'Industrie Canada applicables aux appareils radioexempts de licence. L'exploitation est autorisée aux deux conditions suivantes :

- (1) l'appareil ne doit pas produire de brouillage, et
- (2) l'utilisateur de l'appareil doit accepter tout brouillage radioélectrique subi, même si le brouillage est susceptible d'en compromettre le fonctionnement.

Under Industry Canada regulations, this radio transmitter may only operate using an antenna of a type and maximum (or lesser) gain approved for the transmitter by Industry Canada. To reduce potential radio interference to other users, the antenna type and its gain should be so chosen that the equivalent isotropically radiated power (e.i.r.p.) is not more than that necessary for successful communication.

Conformément à la réglementation d'Industrie Canada, le présent émetteur radio peut fonctionner avec une antenne d'un type et d'un gain maximal (ou inférieur) approuvé pour l'émetteur par Industrie Canada. Dans le but de réduire les risques de brouillage radioélectrique à l'intention des autres utilisateurs, il faut choisir le type d'antenne et son gain de sorte que la puissance isotrope rayonnée équivalente (p.i.r.e.) ne dépasse pas l'intensité nécessaire à l'établissement d'une communication satisfaisante.

When the Industry Canada certification number is not visible when the module is installed inside another device, then the outside of the device into which the module is installed must also display a label referring to the enclosed module. This exterior label can be use wording "Contains transmitter module IC: 772C-CMABZ" or "Contains IC: 772C-CMABZ".

## 14.3 General Statements

The module is limited to OEM installation ONLY.

The OEM integrator is responsible for ensuring that the end-user has no manual instruction to remove or install module.

Therefore, the final host product must be submitted to [SyChip] for confirmation that the installation for the module into the host is in compliance with regulations of FCC and IC Canada. Specially, if an antenna other than the model documented in the Filing is used, a Class 2 Permissive Change must be filed with the FCC.

Changes or modifications not expressly approved by the manufacturer could void the user's authority to operate the equipment.

The LoRa module is for use with external antenna ONLY.

The antenna is Monopole Antenna and maximum gain is 1.04dBi.

This module has been approved by FCC to operate with the antenna types with the maximum permissible gain indicated. Antenna types not included in this list, having a gain greater than the maximum gain indicated for that type, are strictly prohibited for use with this device.

 **CAUTION**

PLEASE READ THIS NOTICE BEFORE USING OUR PRODUCTS.

Please make sure that your product has been evaluated and confirmed from the aspect of the fitness for the specifications of our product when our product is mounted to your product.

All the items and parameters in this product specification/datasheet/catalog have been prescribed on the premise that our product is used for the purpose, under the condition and in the environment specified in this specification. You are requested not to use our product deviating from the condition and the environment specified in this specification.

Please note that the only warranty that we provide regarding the products is its conformance to the specifications provided herein. Accordingly, we shall not be responsible for any defects in products or equipment incorporating such products, which are caused under the conditions other than those specified in this specification.

WE HEREBY DISCLAIMS ALL OTHER WARRANTIES REGARDING THE PRODUCTS, EXPRESS OR IMPLIED, INCLUDING WITHOUT LIMITATION ANY WARRANTY OF FITNESS FOR A PARTICULAR PURPOSE, THAT THEY ARE DEFECT-FREE, OR AGAINST INFRINGEMENT OF INTELLECTUAL PROPERTY RIGHTS.

The product shall not be used in any application listed below which requires especially high reliability for the prevention of such defect as may directly cause damage to the third party's life, body or property. You acknowledge and agree that, if you use our products in such applications, we will not be responsible for any failure to meet such requirements.

Furthermore, YOU AGREE TO INDEMNIFY AND DEFEND US AND OUR AFFILIATES AGAINST ALL CLAIMS, DAMAGES, COSTS, AND EXPENSES THAT MAY BE INCURRED, INCLUDING WITHOUT LIMITATION, ATTORNEY FEES AND COSTS, DUE TO THE USE OF OUR PRODUCTS IN SUCH APPLICATIONS.

- Aircraft equipment.
- Aerospace equipment
- Undersea equipment.
- Power plant control equipment
- Medical equipment.
- Transportation equipment (vehicles, trains, ships, elevator, etc.).
- Traffic signal equipment.
- Disaster prevention / crime prevention equipment.
- Burning / explosion control equipment
- Application of similar complexity and/ or reliability requirements to the applications listed in the above.

We expressly prohibit you from analyzing, breaking, Reverse-Engineering, remodeling altering, and reproducing our product. Our product cannot be used for the product which is prohibited from being manufactured, used, and sold by the regulations and laws in the world.

We do not warrant or represent that any license, either express or implied, is granted under any our patent right, copyright, mask work right, or our other intellectual property right relating to any combination, machine, or process in which our products or services are used. Information provided by us regarding third-party products or services does not constitute a license from us to use such products or services or a warranty or endorsement thereof. Use of such information may require a license from a third party under the patents or other intellectual property of the third party, or a license from us under our patents or other intellectual property.

Please do not use our products, our technical information and other data provided by us for the purpose of developing of mass-destruction weapons and the purpose of military use.

Moreover, you must comply with "foreign exchange and foreign trade law", the "U.S. export administration regulations", etc.

Please note that we may discontinue the manufacture of our products, due to reasons such as end of supply of materials and/or components from our suppliers.

Customer acknowledges that Murata will, if requested by you, conduct a failure analysis for defect or alleged defect of Products only at the level required for consumer grade Products, and thus such analysis may not always be available or be in accordance with your request (for example, in cases where the defect was caused by components in Products supplied to Murata from a third party).

By signing on specification sheet or approval sheet, you acknowledge that you are the legal representative for your company and that you understand and accept the validity of the contents herein. When you are not able to return the signed version of specification sheet or approval sheet within 90 days from receiving date of specification sheet or approval sheet, it shall be deemed to be your consent

on the content of specification sheet or approval sheet.

Customer acknowledges that engineering samples may deviate from specifications and may contain defects due to their development status.

We reject any liability or product warranty for engineering samples.

In particular we disclaim liability for damages caused by

- the use of the engineering sample other than for evaluation purposes, particularly the installation or integration in the product to be sold by you,
- deviation or lapse in function of engineering sample,
- improper use of engineering samples.

We disclaims any liability for consequential and incidental damages.

If you can't agree the above contents, you should inquire our sales.