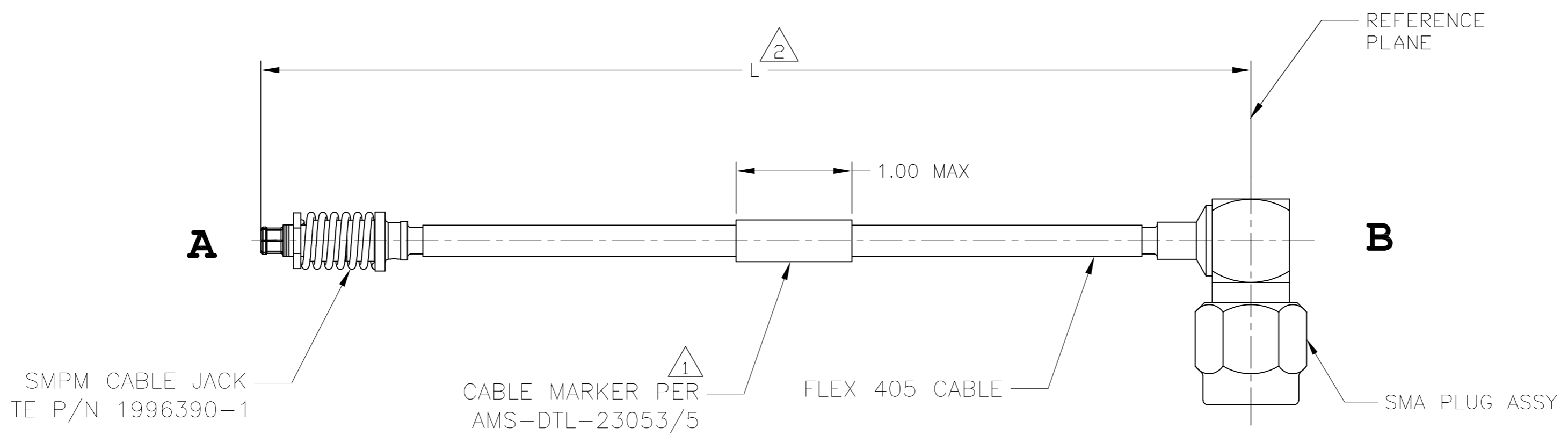


THIS DRAWING IS UNPUBLISHED. RELEASED FOR PUBLICATION  
 © COPYRIGHT - By - ALL RIGHTS RESERVED.

LOC		DIST		REVISIONS			
P	LTR	DESCRIPTION	DATE	DWN	APVD		
B		REV PER ECO 13-017691	10-18-12	CT	DW		



SMPM CABLE JACK  
TE P/N 1996390-1

CABLE MARKER PER  
AMS-DTL-23053/5

FLEX 405 CABLE

SMA PLUG ASSY

30.00	3-2221288-0
28.00	2-2221288-8
27.00	2-2221288-7
26.00	2-2221288-6
25.00	2-2221288-5
17.00	1-2221288-7
16.00	1-2221288-6
15.00	1-2221288-5
13.00	1-2221288-3
12.00	1-2221288-2
11.00	1-2221288-1
10.00	1-2221288-0
9.00	2221288-9
8.00	2221288-8
7.00	2221288-7
6.00	2221288-6
DIM "L"	PART NUMBER

- 1 PART NUMBER, DATE CODE AND "TE" MARKED ON CABLE MARKER.
- 2 LENGTH TOLERANCE ± 0.5%, ± .10 IN. MINIMUM.
- 3. VSWR: 1.3:1 MAX, DC - 12 GHz

THIS DRAWING IS A CONTROLLED DOCUMENT.		DWN C.C.THOMAS 10-18-12														
DIMENSIONS: INCHES		CHK D.WILSON 10-18-12														
TOLERANCES UNLESS OTHERWISE SPECIFIED:		APVD D.WILSON 10-18-12	NAME RF CABLE ASSEMBLIES, SMPM FLOAT MOUNT FEMALE TO SMA R/A PLUG ON FLEX .086													
<table border="0"> <tr><td>0 PLC</td><td>± -</td></tr> <tr><td>1 PLC</td><td>± -</td></tr> <tr><td>2 PLC</td><td>± -</td></tr> <tr><td>3 PLC</td><td>± -</td></tr> <tr><td>4 PLC</td><td>± -</td></tr> <tr><td>ANGLES</td><td>± -</td></tr> </table>		0 PLC	± -	1 PLC	± -	2 PLC	± -	3 PLC	± -	4 PLC	± -	ANGLES	± -	PRODUCT SPEC -	SIZE A2	CAGE CODE 00779
0 PLC	± -															
1 PLC	± -															
2 PLC	± -															
3 PLC	± -															
4 PLC	± -															
ANGLES	± -															
MATERIAL		APPLICATION SPEC -	DRAWING NO C=2221288	RESTRICTED TO -												
FINISH		WEIGHT -	SCALE NTS	SHEET 1 of 1												
		CUSTOMER DRAWING	REV B													