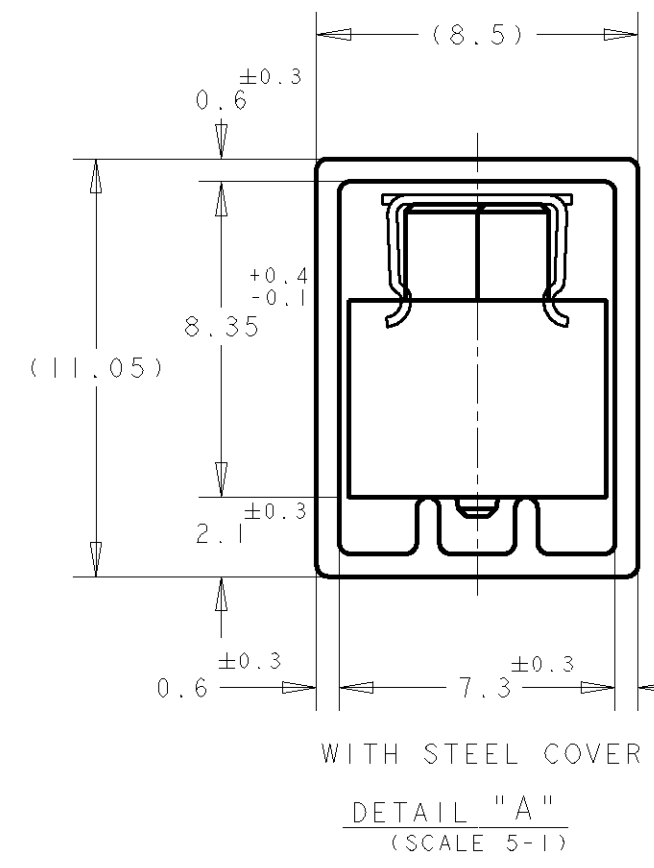
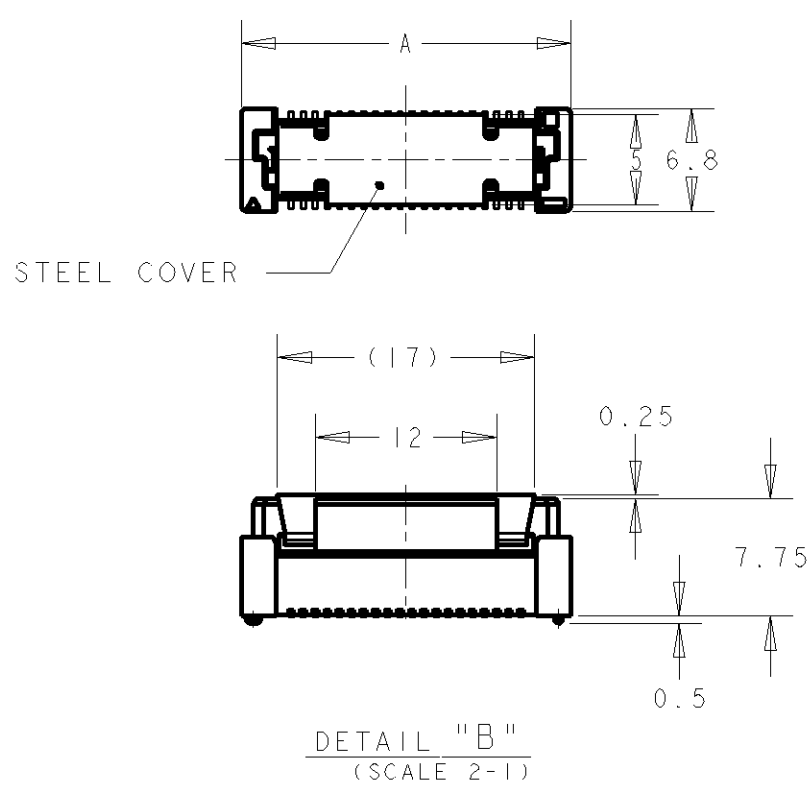
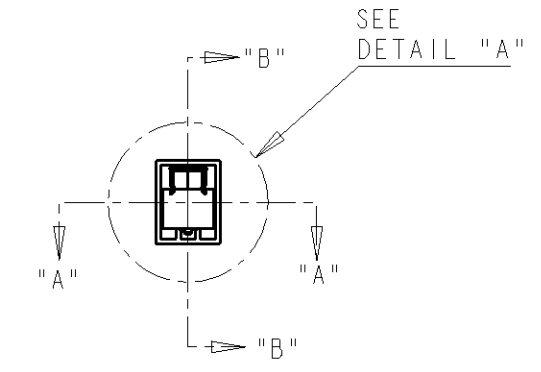
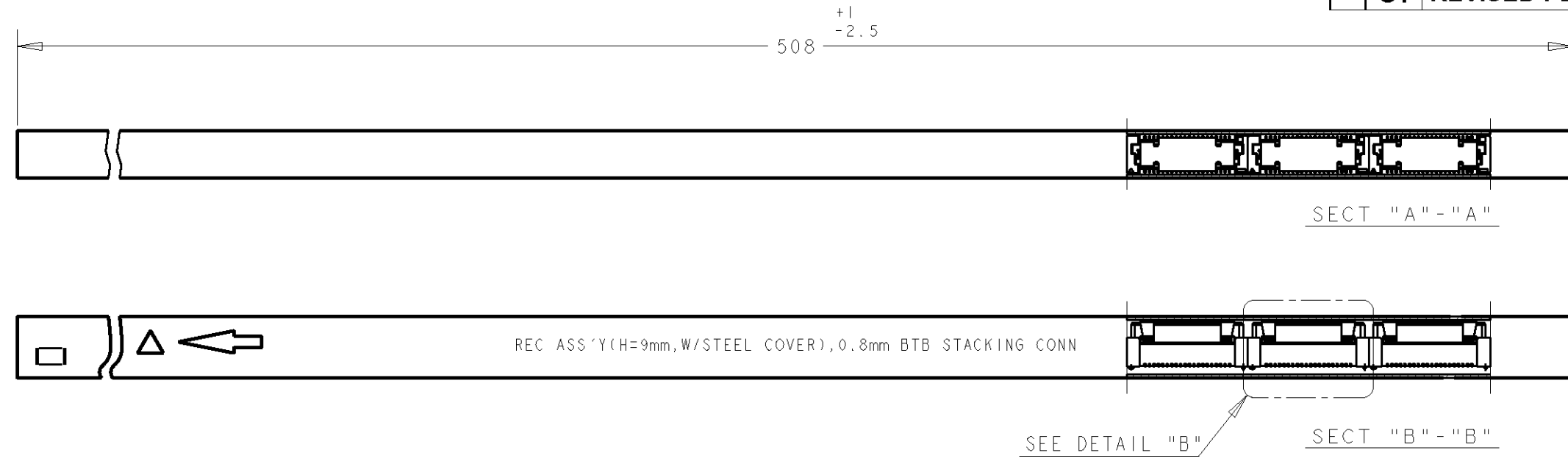


THIS DRAWING IS UNPUBLISHED. RELEASED FOR PUBLICATION .19 .
 © COPYRIGHT 19 BY AMP INCORPORATED. ALL RIGHTS RESERVED.

LOC	DIST	REVISIONS					
DY	-	P	LTR	DESCRIPTION	DATE	DWN	APVD
		O1		REVISED PER ECO-09-026459	28NOV09	KK	AEG



1
OBSOLETE

2
OBSOLETE

REMARKS	QTY / TUBE	A	CONN P/N	POS.	PART NO.
	5	85.8	1- -0	200	8- -0
	6	77.8	-9	180	7- -9
	6	69.8	-8	160	7- -8
	7	61.8	-6	140	7- -6
	9	53.8	-5	120	7- -5
	10	45.8	-4	100	7- -4
	11	37.8	-3	80	7- -3
	14	29.8	-2	60	7- -2
	18	21.8	5084613-1	40	7-5179232-1
	5	85.8	6- -0	200	6- -0
	6	77.8	5- -9	180	5- -9
	6	69.8	5- -8	160	5- -8
	7	61.8	5- -6	140	5- -6
	9	53.8	5- -5	120	5- -5
	10	45.8	5- -4	100	5- -4
	11	37.8	5- -3	80	5- -3
	14	29.8	5- -2	60	5- -2
	18	21.8	5-5179009-1	40	5-5179232-1

NOTE:
 1 30"u AU PLATING
 2 OBSOLETE PARTS: OBSOLETE CIS STREAMLINING PER D.RENAUD/D.SINISI

THIS DRAWING IS A CONTROLLED DOCUMENT FOR AMP INCORPORATED. IT IS SUBJECT TO CHANGE AND THE CONTROLLING ENGINEERING ORGANIZATION SHOULD BE CONTACTED FOR THE LATEST REVISION.

DWN 15SEP04 FLORENCE TAN
 CHK ERIC TNG
 APVD SF L FONG
 PRODUCT SPEC -
 APPLICATION SPEC -
 WEIGHT -
 CUSTOMER DRAWING

tyco Tyco Electronics (Singapore) Pte. Ltd.
Electronics

NAME REC ASS'Y 9H TYPE WITH STEEL COVER (TUBE PACK) FOR FH 0.8mm PITCH B-T-B CONNECTOR

SIZE A3 CAGE CODE 00779 DRAWING NO C-5179232

SCALE | : | SHEET | OF | REV **O1**

PROJ No. 593-312

B

A