



Non-reversing motor starter Size 1 Three phase full voltage Solid-state overload relay OLRelay amp range 10-40a 190-220/220-240V 50/60HZ coil Combination type Indoor general purpose use

|   |  |
|---|--|
| product brand name  | Class 14                                 |
| design of the product   | Full-voltage non-reversing motor starter |
| special product feature   | ESP200 overload relay                    |
| <b>General technical data</b>   |  |
| weight [lb]   | 20 lb                                    |
| Height x Width x Depth [in]   | 20 × 12 × 8 in                           |
| touch protection against electrical shock                               | (NA for enclosed products)               |
| installation altitude [ft] at height above sea level maximum            | 6560 ft                                  |
| ambient temperature [°F]  |  |
| • during storage  | -22 ... +149 °F                          |
| • during operation  | -4 ... +104 °F                           |
| ambient temperature   |  |
| • during storage  | -30 ... +65 °C                           |
| • during operation  | -20 ... +40 °C                           |
| country of origin   | USA                                      |
| <b>Horsepower ratings</b>   |  |
| yielded mechanical performance [hp] for 3-phase AC motor                |  |
| • at 200/208 V rated value  | 7.5 hp                                   |
| • at 220/230 V rated value  | 7.5 hp                                   |
| • at 460/480 V rated value  | 0 hp                                     |
| • at 575/600 V rated value  | 0 hp                                     |
| <b>Contactors</b>   |  |
| size of contactor   | NEMA controller size 1                   |
| number of NO contacts for main contacts                                 | 3  |
| operating voltage for main current circuit at AC at 60 Hz maximum       | 600 V                                    |
| operational current at AC at 600 V rated value                          | 27 A                                     |
| mechanical service life (operating cycles) of the main contacts typical | 10000000                                 |
| <b>Auxiliary contact</b>  |  |
| number of NC contacts at contactor for auxiliary contacts               | 0  |
| number of NO contacts at contactor for auxiliary contacts               | 1  |
| number of total auxiliary contacts maximum                              | 8  |
| contact rating of auxiliary contacts of contactor according to UL       | 10A@600VAC (A600), 5A@600VDC (P600)      |
| <b>Coil</b>   |  |
| type of voltage of the control supply voltage                           | AC                                       |
| control supply voltage  |  |
| • at AC at 50 Hz rated value  | 190 ... 220 V                            |
| • at AC at 60 Hz rated value  | 220 ... 240 V                            |
| holding power at AC minimum   | 8.6 W                                    |
| apparent pick-up power of magnet coil at AC                             | 218 VA                                   |

|  |              |
|--|--------------|
| apparent holding power of magnet coil at AC                              | 25 VA        |
| operating range factor control supply voltage rated value of magnet coil | 0.85 ... 1.1 |
| percentual drop-out voltage of magnet coil related to the input voltage  | 50 %         |
| ON-delay time  | 19 ... 29 ms |
| OFF-delay time   | 10 ... 24 ms |

#### Overload relay

|  |  |
|--|--|
| product function   |  |
| <ul style="list-style-type: none"> <li>• overload protection</li> <li>• phase failure detection</li> <li>• asymmetry detection</li> <li>• ground fault detection</li> <li>• test function</li> <li>• external reset</li> </ul> | <ul style="list-style-type: none"> <li>Yes</li> <li>Yes</li> <li>Yes</li> <li>Yes</li> <li>Yes</li> <li>Yes</li> </ul> |
| reset function   | Manual, automatic and remote   |
| trip class   | CLASS 5 / 10 / 20 (factory set) / 30   |
| adjustable current response value current of the current-dependent overload release  | 10 ... 40 A  |
| tripping time at phase-loss maximum  | 3 s  |
| relative repeat accuracy   | 1 %  |
| product feature protective coating on printed-circuit board  | Yes  |
| number of NC contacts of auxiliary contacts of overload relay  | 1  |
| number of NO contacts of auxiliary contacts of overload relay  | 1  |
| operational current of auxiliary contacts of overload relay  |  |
| <ul style="list-style-type: none"> <li>• at AC at 600 V</li> <li>• at DC at 250 V</li> </ul>   | <ul style="list-style-type: none"> <li>5 A</li> <li>1 A</li> </ul>   |
| contact rating of auxiliary contacts of overload relay according to UL   | 5A@600VAC (B600), 1A@250VDC (R300)   |
| insulation voltage (Ui)  |  |
| <ul style="list-style-type: none"> <li>• with single-phase operation at AC rated value</li> <li>• with multi-phase operation at AC rated value</li> </ul>  | <ul style="list-style-type: none"> <li>600 V</li> <li>300 V</li> </ul>   |

#### Enclosure

|   |                            |
|---|----------------------------|
| design of the housing                             | Extra-wide                 |
| degree of protection NEMA rating of the enclosure | Extra-wide NEMA Type 1     |
| design of the housing                             | Indoor general purpose use |

#### Mounting/wiring

|  |  |
|--|--|
| mounting position  | Vertical   |
| fastening method   | Surface mounting and installation                  |
| type of electrical connection for supply voltage line-side   | Screw-type terminals                               |
| tightening torque [lbf-in] for supply  | 35 ... 35 lbf-in                                   |
| type of connectable conductor cross-sections at line-side for AWG cables single or multi-stranded                        | 1x(14 - 2 AWG)                                     |
| temperature of the conductor for supply maximum permissible  | 75 °C  |
| material of the conductor for supply   | AL or CU   |
| type of electrical connection for load-side outgoing feeder  | Screw-type terminals                               |
| tightening torque [lbf-in] for load-side outgoing feeder   | 35 ... 35 lbf-in                                   |
| type of connectable conductor cross-sections for AWG cables for load-side outgoing feeder single or multi-stranded       | 1x(14 - 2 AWG)                                     |
| temperature of the conductor for load-side outgoing feeder maximum permissible   | 75 °C  |
| material of the conductor for load-side outgoing feeder  | AL or CU   |
| type of electrical connection of magnet coil   | screw-type terminals                               |
| tightening torque [lbf-in] at magnet coil  | 5 ... 12 lbf-in                                    |
| type of connectable conductor cross-sections of magnet coil for AWG cables single or multi-stranded                      | 2 x (16 - 12 AWG)                                  |
| temperature of the conductor at magnet coil maximum permissible  | 75 °C  |
| material of the conductor at magnet coil   | CU   |
| type of electrical connection for auxiliary contacts   | screw-type terminals                               |
| tightening torque [lbf-in] at contactor for auxiliary contacts   | 10 ... 15 lbf-in                                   |
| type of connectable conductor cross-sections at contactor for AWG cables for auxiliary contacts single or multi-stranded | 1 x (12 AWG), 2 x (16 - 14 AWG), 2 x (18 - 16 AWG) |
| temperature of the conductor at contactor for auxiliary contacts   | 75 °C  |

|   |                      |
|---|----------------------|
| maximum permissible   |                      |
| material of the conductor at contactor for auxiliary contacts   | CU                   |
| type of electrical connection at overload relay for auxiliary contacts  | screw-type terminals |
| tightening torque [lbf-in] at overload relay for auxiliary contacts   | 7 ... 10 lbf-in      |
| type of connectable conductor cross-sections at overload relay for AWG cables for auxiliary contacts single or multi-stranded | 2 x (20 - 14 AWG)    |
| temperature of the conductor at overload relay for auxiliary contacts maximum permissible                                     | 75 °C                |
| material of the conductor at overload relay for auxiliary contacts  | CU                   |

### Short-circuit current rating

|  |   |
|--|---|
| design of the fuse link for short-circuit protection of the main circuit required                    | 10kA@600V (Class H or K); 100kA@600V (Class R or J) |
| design of the short-circuit trip   | Thermal magnetic circuit breaker                    |
| maximum short-circuit current breaking capacity (I <sub>cu</sub> )                                   |   |
| <ul style="list-style-type: none"> <li>• at 240 V</li> <li>• at 480 V</li> <li>• at 600 V</li> </ul> | 14 kA<br>10 kA<br>10 kA                             |
| certificate of suitability   | NEMA ICS 2; UL 508; CSA 22.2, No.14                 |

### Further information

**Industrial Controls - Product Overview (Catalogs, Brochures,...)**

[www.usa.siemens.com/ccatalog](http://www.usa.siemens.com/ccatalog)

**Industry Mall (Online ordering system)**

<https://mall.industry.siemens.com/mall/en/us/Catalog/product?mlfb=US2:14DUE82BG>

**Service&Support (Manuals, Certificates, Characteristics, FAQs,...)**

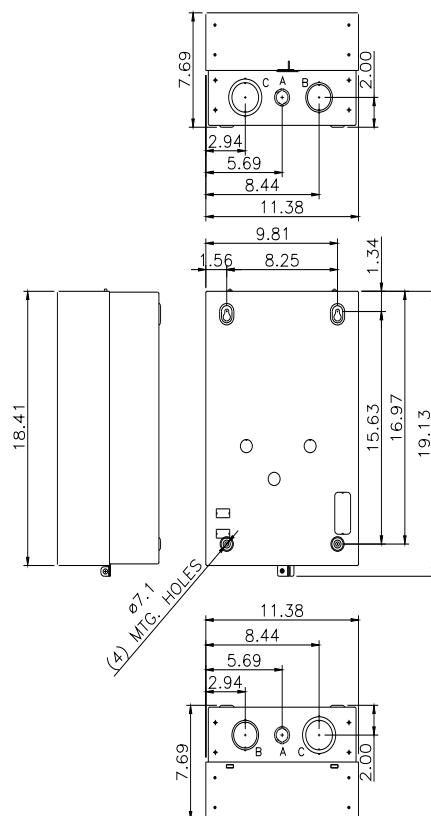
<https://support.industry.siemens.com/cs/US/en/ps/US2:14DUE82BG>

**Image database (product images, 2D dimension drawings, 3D models, device circuit diagrams, EPLAN macros, ...)**

[http://www.automation.siemens.com/bilddb/cax\\_de.aspx?mlfb=US2:14DUE82BG&lang=en](http://www.automation.siemens.com/bilddb/cax_de.aspx?mlfb=US2:14DUE82BG&lang=en)

**Certificates/approvals**

<https://support.industry.siemens.com/cs/US/en/ps/US2:14DUE82BG/certificate>



| LETTER | KNOCKOUT & CONDUIT SIZE             |
|--------|-------------------------------------|
| A      | ø22.2 X ø28.6 FOR 12.7 & 19 CONDUIT |
| B      | ø43.8 X ø50 FOR 31.8 & 38.1 CONDUIT |
| C      | ø50 X ø62.7 FOR 38.1 & 50.8 CONDUIT |



last modified:

11/29/2021