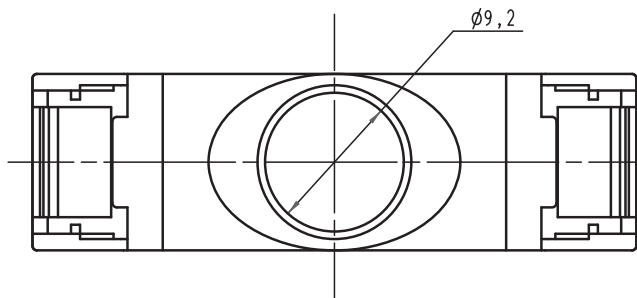
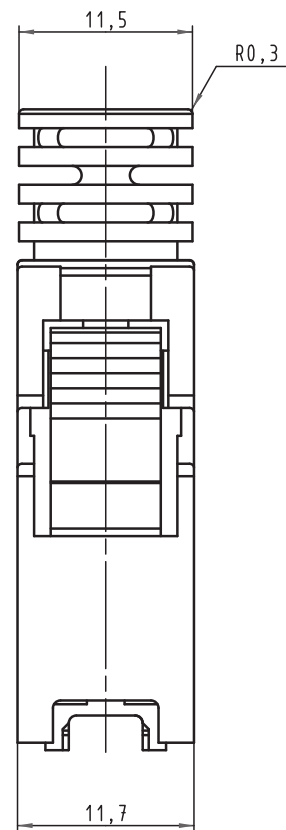
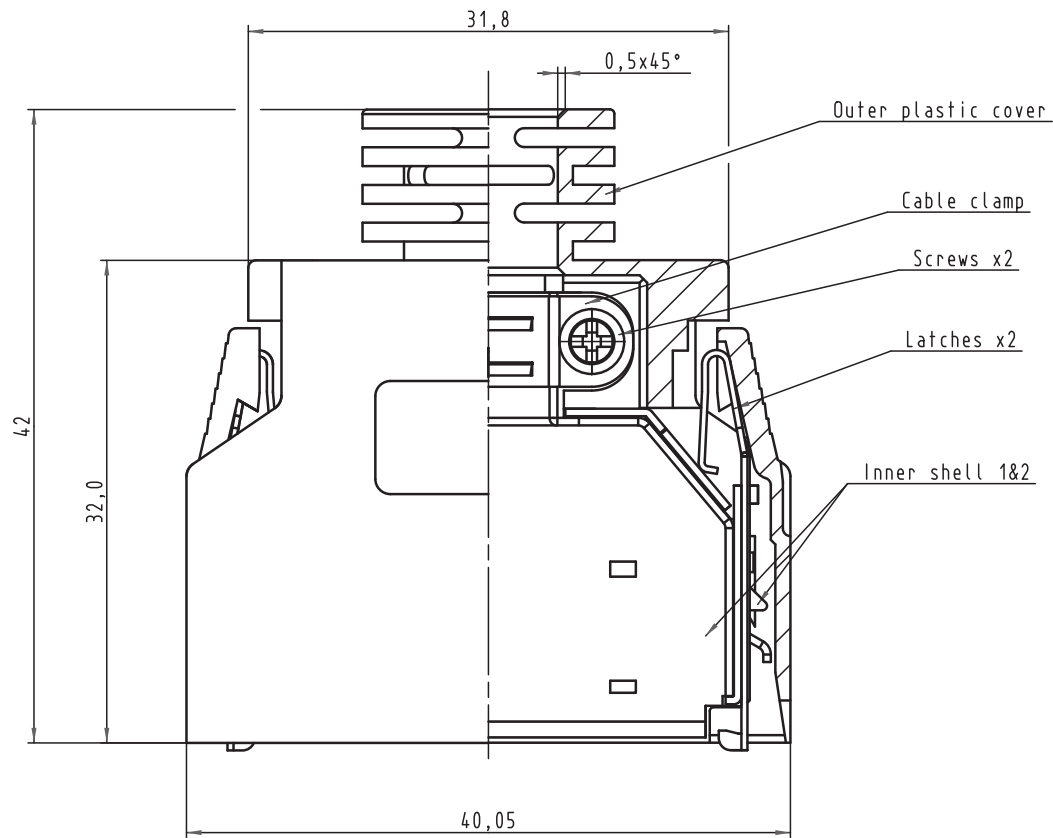


All rights reserved



This hood is according to IEC 61076-3-100.

60 13 036 0153 580	Packaging per 500pcs	+85°C
60 13 036 0153 351	Packaging per 50pcs	+85°C
Part number	index designation	T*material

	All Dimensions in mm Original Size DIN A 3			Techn. Character.		Free size tolerances	
		Dat.	Name	Scale		har.mik® I/O pin/socket	
		11-JULY-08	KL	2 : 1		36 poles plastic hood with metal insert for IDC mate bellow connector	
		Insp.					
	Stand.						
31787	11-JULY-08	KL	Zhuhai Harting Limited				TB60 13 036 0153 351
Mod.	Dat.	Name			Sub.		Page 1/1